

TOMAL Big-Bag Discharger

Tomals big-bag discharger is designed both for reusable and disposable big-bags.

Combined with Tomals multiscrew feeder, you have a complete unit for big-bag handling and metering of solids with control over arch building.

Alternative equipment for lifting and supporting the big-bag can be offered

Design

- Big-bag cone designed for different bag sizes.
- Pyramid knife for disposable big-bags or access door for handling reusable big-bags.
- Rubber sealing ring to minimise dust leakage.
- Vibrator for arch breaking, controlled by an indicator placed below the outlet.
- Lifting device consisting of yoke for fork truck, alternatively manual or motor driven hoist.
- Tomals multiscrew feeder with accessories.
- Complete electrical equipment.

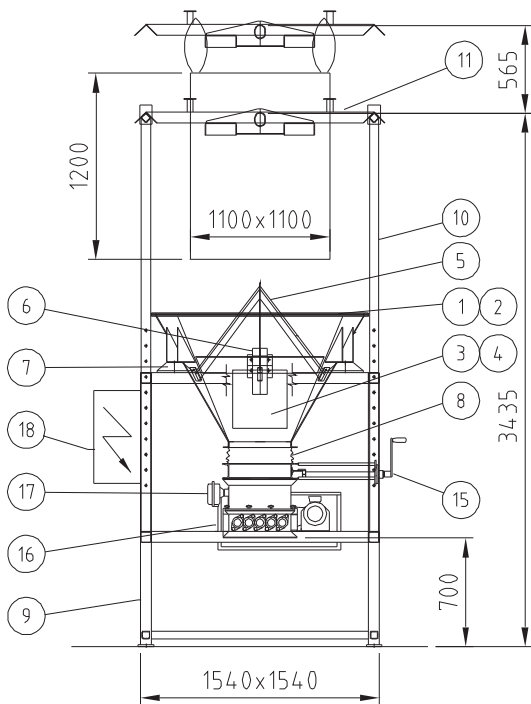
*Project Larvik.
Big-bag discharger with feeder and
equipment for pneumatic conveying
for flue gas cleaning.*



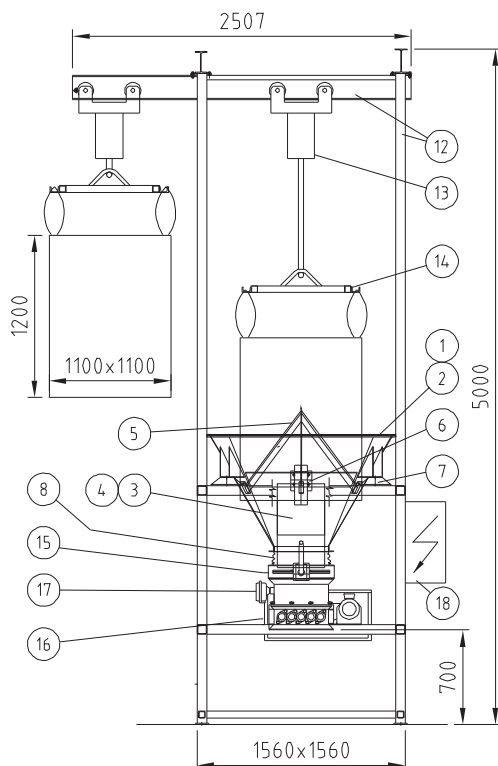
Advantages

- Tomal can manufacture complete units for big-bag emptying and feeding.
- The equipment can be suitable for free flowing or arch forming materials.
- Flexible modular system that can be easily customised to suit individual customer requirements.
- The plants can be turnkey delivered and tested from our workshop.
- High quality level. TOMAL is certified acc. to. SS-EN ISO 9001.

TOMAL Big-Bag discharger type 1100



Big-Bag discharger with adjustable stand as well as yoke for handling with fork truck.



Big-Bag discharger with chain manoeuvred trolley.

1. **Big-bag cone.** It has a steep angle for efficient emptying of the big-bag and is equipped with consoles for mounting on a stand or similar. Outlet flange 400 x 400 mm.
2. **Rubber sealing cloth** which tightens around the bag to minimize dust leakage.
Option: double rubber sealings with connection for evacuation.
3. **Access door** to open the bag and connect the spout of the reusable big-bags in the connection ring.
4. **Connection ring** for reusable big-bags.
5. **Pyramid knife** for disposable bags.
6. **Vibrator** located on the big-bag cone. The vibrator is to ensure archbreaking when feeding archbuilding material.
7. **Vibrator dampers** located between the consoles of the big-bag cone and the lower stand aimed to reduce the transmission of vibrations to the stand.
8. **Flexible connection** towards the metering equipment underneath.
9. **Lower stand** for the big-bag cone.
10. **Upper stand** with adjustable height. Maximal bag height is 1,2 m.
11. **Yoke** designed to lift big-bags with fork truck or with hook. The yoke should be located on the top of the upper stand and support the big-bag. Accordingly the fork truck or the hook may be released.
12. **Hoist stand** incl. hoist beam for max. bag weight 1000 kg.
13. – A, **Manual hoist** consisting of chain manoeuvred hoist as well as trolley. Max. 1000 kg.
– B, **Motor driven hoist** as well as trolley. Max. 1000 kg.
14. **Yoke for hoist.** Max. 1500 kg.
15. **Shut-off valve** Tomal type 300 or 400. Crank-operated.
16. **Tomal multiscrew feeder** type 405 for arch forming materials alternatively type 302 for free flowing granular materials.
17. **Arch/empty level indicator** for start and stop of the arch breaking vibrator, pos. 6.
18. **Control cabinet** and wiring on the unit can be offered.

Material and surface treatment: The equipment can be offered in painted mild steel alt. stainless steel or acid proof stainless steel.

Hoist beam, yoke for hoist as well as yoke for fork truck are only offered in painted mild steel.

Option: Big-bag dischargers for bags with alternative dimensions can be quoted upon request.