



DL SUBMERSIBLE SEWAGE PUMP

50 Hz

ITT Flygt

An **ITT Industries** company

DL SUBMERSIBLE SEWAGE PUMP

For domestic, civil and industrial applications like:

- Dirty water and sewage pumping with suspended solids up to 50 mm

- Drainage of cesspools sewage sumps
- Drainage of trenches and marshy grounds

CONSTRUCTION

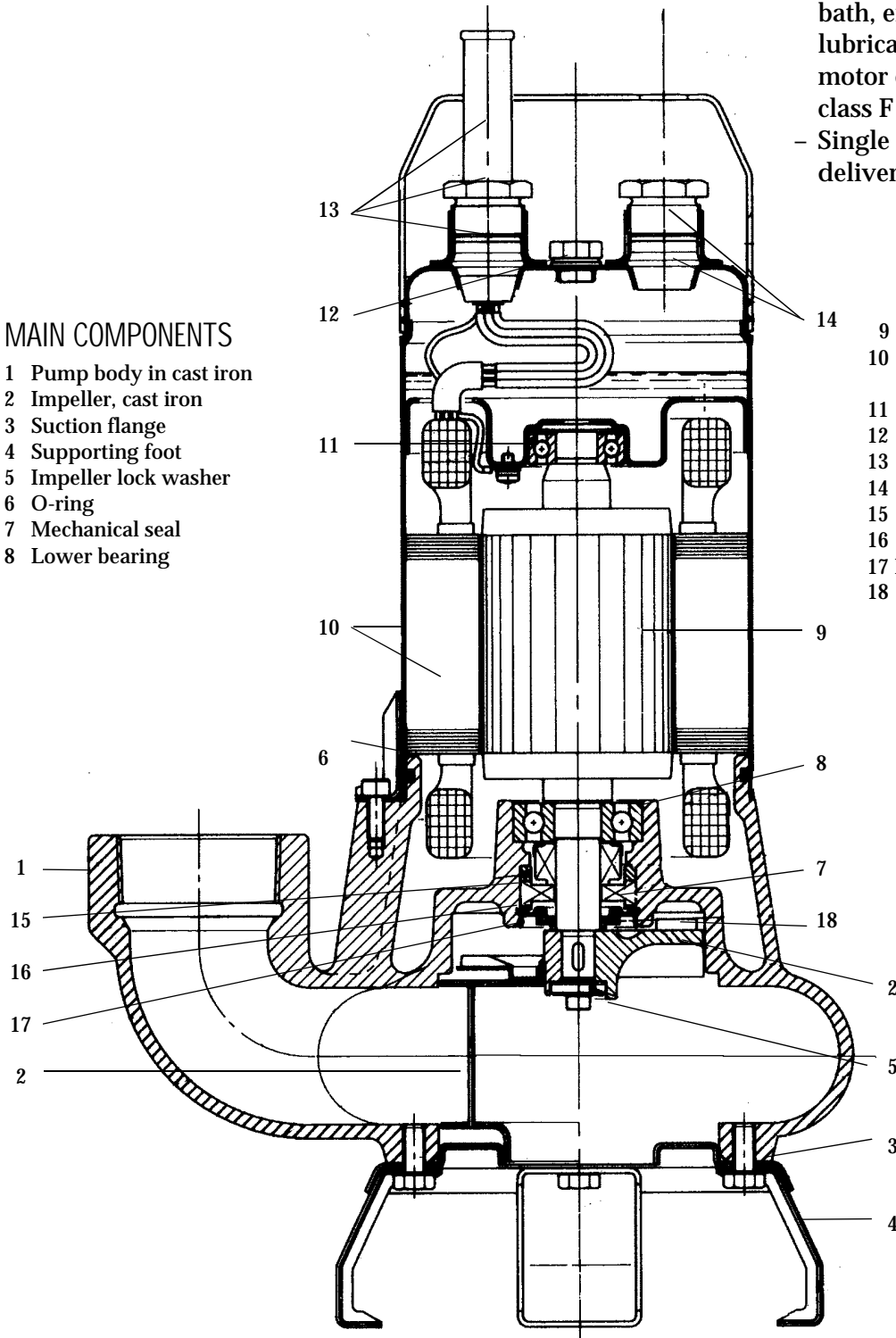
- Common shaft for pump and motor, suitable for total or partial immersion

- Single-channel (DL) or Vortex impeller (DLV)
- Mechanical seal protected by sand labyrinth and lubricated by the motor cooling fluid
- Handle for pump lifting and transport
- 2 pole squirrel cage motor, in a dielectric non-toxic oil bath, enabling ball bearing lubrication with efficient motor cooling. Isolation class F
- Single phase version is delivered with control box

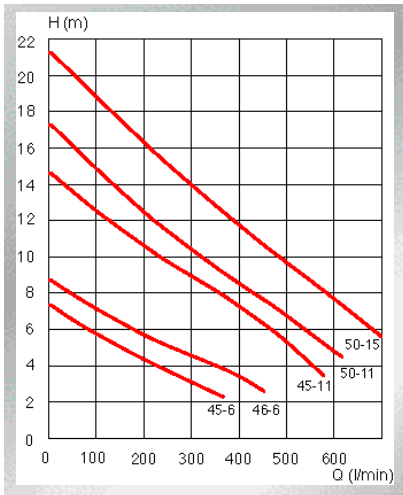
MAIN COMPONENTS

- 1 Pump body in cast iron
- 2 Impeller, cast iron
- 3 Suction flange
- 4 Supporting foot
- 5 Impeller lock washer
- 6 O-ring
- 7 Mechanical seal
- 8 Lower bearing

- 9 Shaft & rotor
- 10 Motor housing with stator
- 11 Upper bearing
- 12 Shaft & washer
- 13 Supply cable gland
- 14 Insert & union plug
- 15 Mechanical seal spacer
- 16 Shoulder seal washer
- 17 Labyrinth seal cover
- 18 Sand slinger

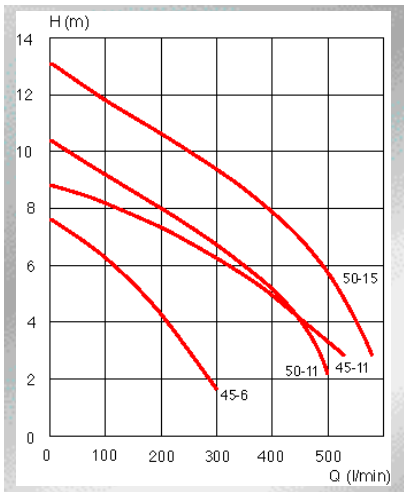


DL 45-6, 46-6, 45-11, 50-11 & 50-15



DL	45-6	46-6	45-11	50-11	50-15
Rated output kW	0.6	0.6	1.1	1.1	1.5
Max head m	7.5	8.5	14.5	17.5	21.0
Max flow l/min	350	450	550	600	700
Rated current					
1-phase A	4.1	4.5	-	8.5	-
3-phase A	1.6	1.75	2.9	3.3	3.8
Voltage 1-phase 230V, 3-phase 400V					
Max temp of pumped liquid	25°C with pump partially submerged 50°C with pump fully submerged				
Cable HO7RN-F					5 m
Float switch for 1-phase					optional

VORTEX DLV 45-6, 45-11, 50-11 & 50-15

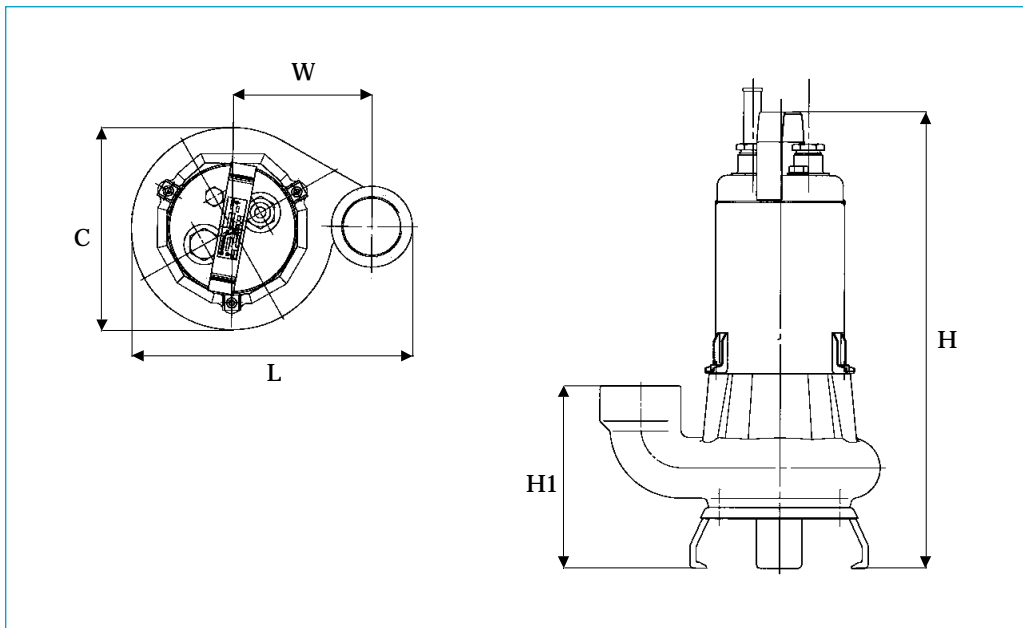


Vortex DLV	45-6	45-11	50-11	50-15
Rated output kW	0.6	0.6	1.1	1.5
Max head m	7.5	8.5	10.5	13
Max flow l/min	300	500	500	550
Rated current				
1-phase A	5	-	8.3	-
3-phase A	1.9	3.2	3.2	3.8
Voltage 1-phase 230V, 3-phase 400V				
Max temp of pumped liquid	25°C with pump partially submerged 50°C with pump fully submerged			
Cable HO7RN-F				5 m
Float switch for 1-phase				optional

DL V 45-6 M SG

- Without float switch (1-phase)
- Single phase (if applicable)
- Model number
- Vortex impeller (if applicable)
- Pump series

PUMP DIMENSIONS AND WEIGHTS



Pump type	C	h	Sizes mm			DNM	Weight kg
			h1	L	W		
DL45-6	200 Ø	455	180	278	138	2"	19.5
DL46-6	200 Ø	455	180	278	138	2"	20.5
DL45-11	239 Ø	486	180	343	183	2"	21.0
DL50-11	239 Ø	486	180	343	183	2"	27.0
DL50-15	239 Ø	486	180	343	183	2"	27.0
DLV 45-6	200 Ø	455	180	278	138	2"	19.0
DLV 45-11	239 Ø	486	180	343	183	2"	21.0
DLV 50-11	239 Ø	486	180	343	183	2"	27.0
DLV 50-15	239 Ø	486	180	343	183	2"	27.0