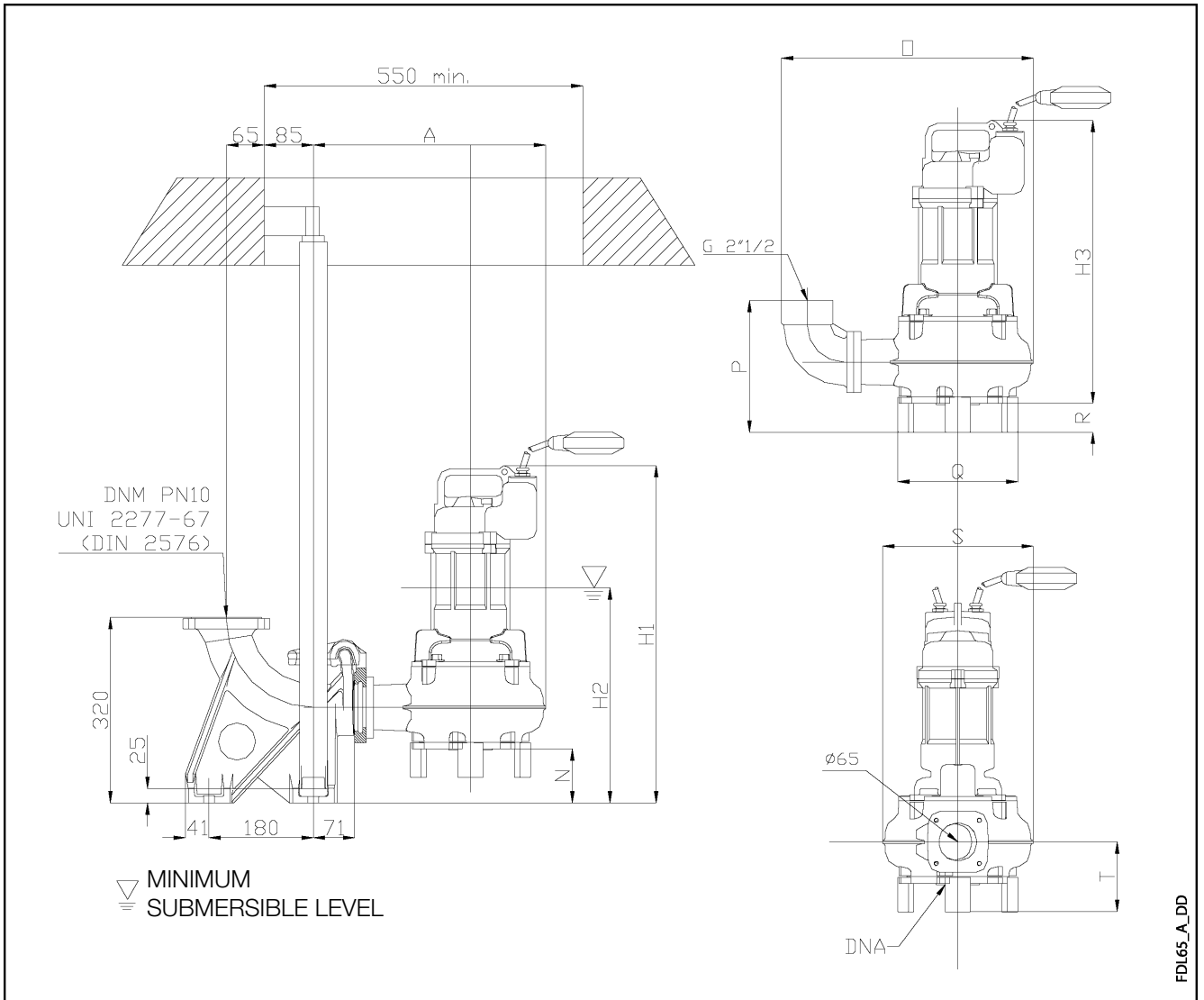


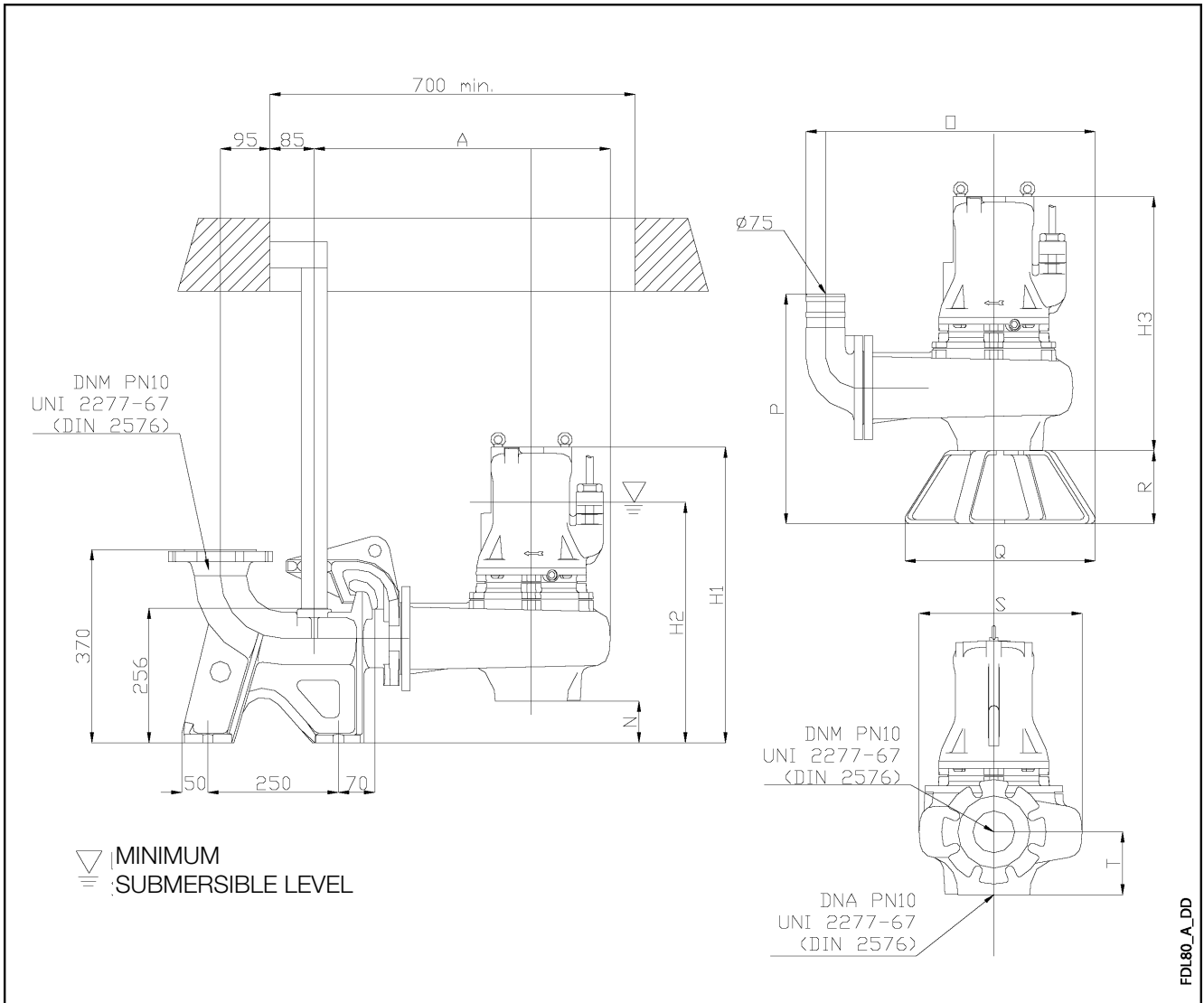
DIMENSIONS AND WEIGHTS, FDL SERIES (DN65)



PUMP TYPE	DIMENSIONS (mm)											DNA	DNM	WEIGHT kg
	A	N	O	P	Q	R	S	T	H1	H2	H3			
FDL 62-26	501	91	434	227	190	51	260	121	582	371	538	50	65	42
FDL 62-25	501	91	434	227	190	51	260	121	582	371	538	50	65	42
FDL 62-24	501	91	434	227	190	51	260	121	582	371	538	50	65	42
FDL 62-23	501	91	434	227	190	51	260	121	582	371	538	50	65	42
FDL 62-21	414	84	447	231	200	44	269	125	494	342	450	-	70	50
FDL 64-22	414	84	447	231	190	44	269	125	534	342	450	-	70	48

FDL65_A_TD

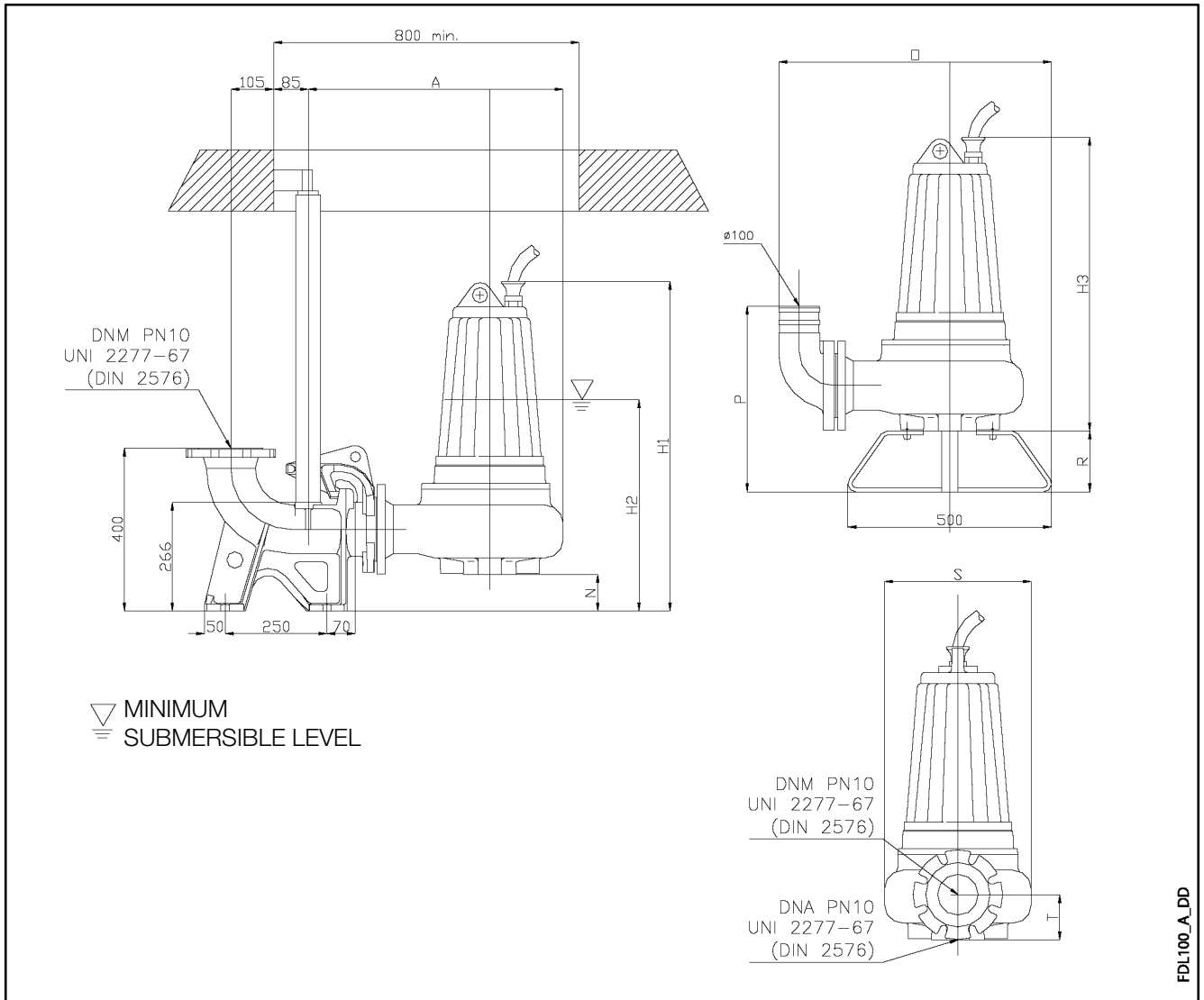
DIMENSIONS AND WEIGHTS, FDL SERIES (DN80)



PUMP TYPE	DIMENSIONS (mm)											DNA	DNM	WEIGHT
	A	N	O	P	Q	R	S	T	H1	H2	H3			
FDL 81-42	522	84	515	436	370	140	293	116	538	436	453	DN 80	DN 80	60
FDL 82-41N	522	84	515	436	370	140	293	116	594	461	481	DN 80	DN 80	67
FDL 83-41	522	84	515	436	370	140	293	116	594	461	481	DN 80	DN 80	70
FDL 815-21	579	80	610	450	500	150	326	120	848	560	768	DN 80	DN 80	190
FDL 815-22	579	80	610	450	500	150	326	120	848	560	768	DN 80	DN 80	190
FDL 815-23	579	80	610	450	500	150	326	120	848	560	768	DN 80	DN 80	190
FDL 85-22	531	110	475	410	370	140	278	90	625	438	515	DN 80	DN 80	70
FDL 86-21	531	110	475	410	370	140	278	90	625	438	515	DN 80	DN 80	70

FDL80_A_TD

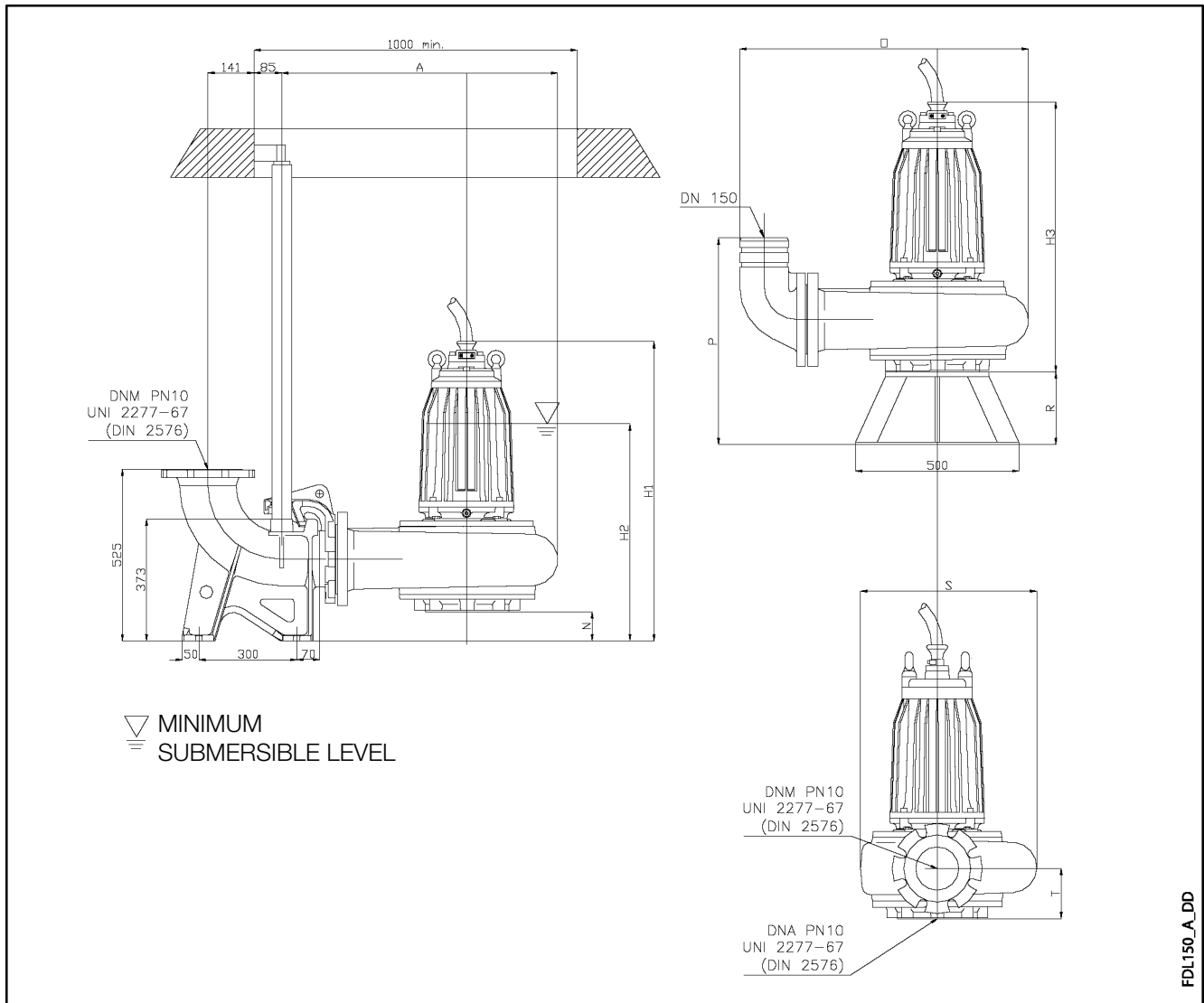
DIMENSIONS AND WEIGHTS, FDL SERIES (DN100)



PUMP TYPE	DIMENSIONS (mm)										DNA	DNM	WEIGHT kg
	A	N	O	P	R	S	T	H1	H2	H3			
FDL 102-61	673	62	647	510	150	411	139	703	465	642	DN 125	DN 100	118
FDL 118-24	628	127	665	418	150	352	110	853	566	727	DN 125	DN 100	140
FDL 118-23	628	127	665	418	150	352	110	853	566	727	DN 125	DN 100	140
FDL 118-22	628	127	665	418	150	352	110	853	566	727	DN 125	DN 100	140
FDL 118-21	628	127	665	418	150	352	110	853	566	727	DN 125	DN 100	140
FDL 107-42	676	80	690	510	150	405	120	795	503	715	DN 125	DN 100	138
FDL 101-41	673	80	689	470	150	401	120	859	532	779	DN 125	DN 100	196
FDL 104-42	673	62	690	501	150	411	139	703	465	642	DN 125	DN 100	117
FDL 104-41	673	62	690	484	150	411	139	703	465	641	DN 125	DN 100	117
FDL 106-41	676	80	690	511	150	405	120	795	503	715	DN 125	DN 100	134
FDL 107-41	626	50	660	504	150	390	150	780	522	700	DN 125	DN 100	125
FDL 109-42	641	54	670	510	150	395	155	880	549	826	DN 125	DN 100	189
FDL 109-41	641	54	670	510	150	395	155	880	549	826	DN 125	DN 100	189

FDL100_A_TD

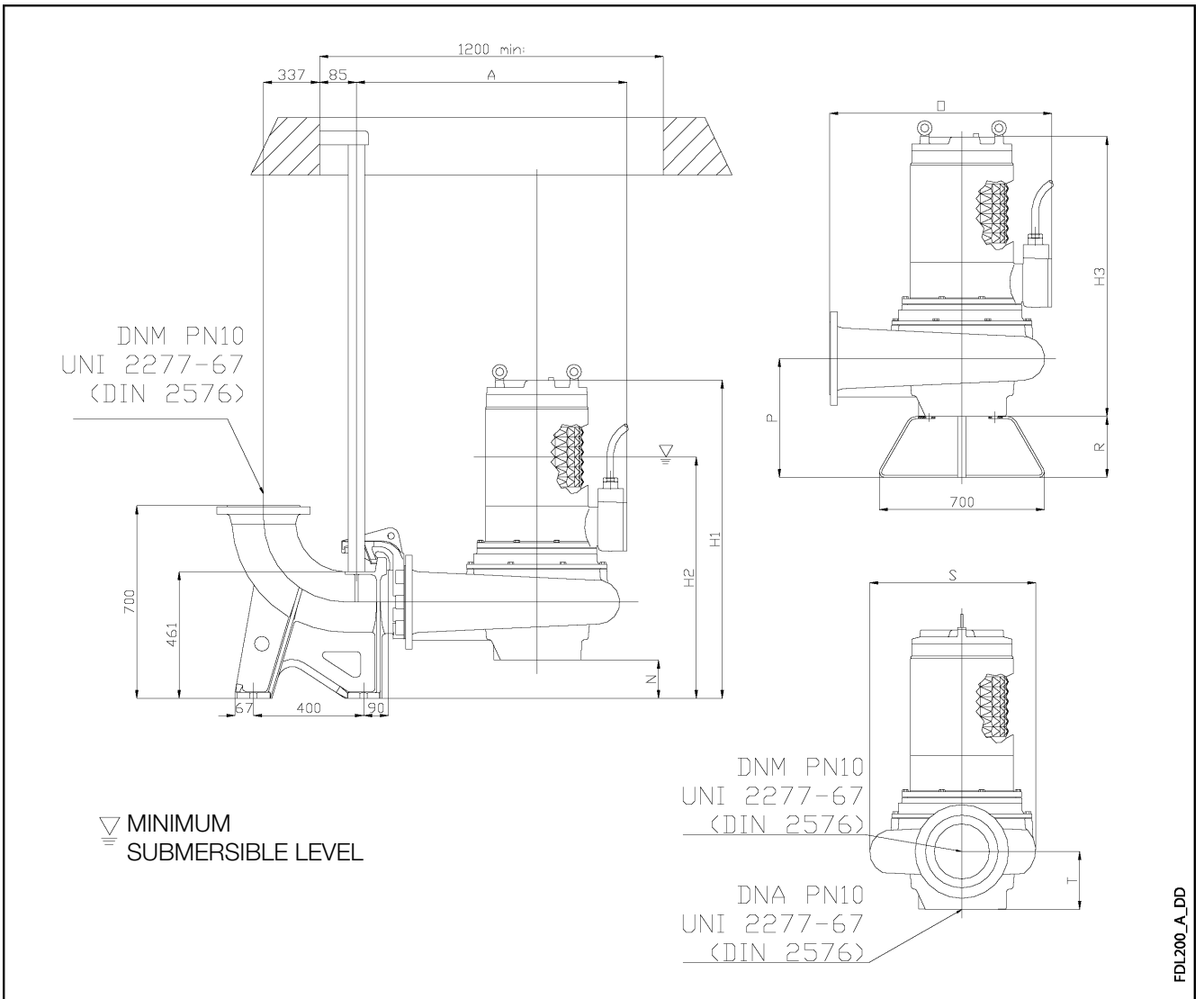
DIMENSIONS AND WEIGHTS, FDL SERIES (DN150)



PUMP TYPE	DIMENSIONS (mm)										DNA	DNM	WEIGHT kg
	A	N	O	P	R	S	T	H1	H2	H3			
FDL 158-61	846	90	885	635	225	540	160	965	614	876	DN 150	DN 150	280
FDL 151-62	846	90	885	635	225	548	160	1045	664	955	DN 150	DN 150	341
FDL 151-61	846	90	885	635	225	548	160	1045	664	955	DN 150	DN 150	330
FDL 153-43	846	90	885	635	225	540	160	1045	664	955	DN 150	DN 150	328
FDL 153-43/1	846	90	680	385	225	540	160	1045	664	955	DN 150	DN 150	330
FDL 153-41/1	846	90	680	385	225	540	160	1045	664	955	DN 150	DN 150	330
FDL 153-42	846	90	885	635	225	540	160	1045	664	955	DN 150	DN 150	328
FDL 153-41	846	90	885	635	225	540	160	1045	664	955	DN 150	DN 150	330
FDL 154-43	893	73	727	385	225	566	178	1124	788	1052	DN 150	DN 150	550
FDL 154-42	893	73	727	385	225	566	178	1124	788	1052	DN 150	DN 150	550
FDL 154-41	893	73	727	385	225	566	178	1124	788	1052	DN 150	DN 150	550
FDL 152-43	846	90	885	635	225	540	160	916	664	826	DN 150	DN 150	280
FDL 152-42	846	90	885	635	225	540	160	1045	664	1180	DN 150	DN 150	350
FDL 152-41	846	90	885	635	225	540	160	1045	664	1180	DN 150	DN 150	350

FDL150_A_TD

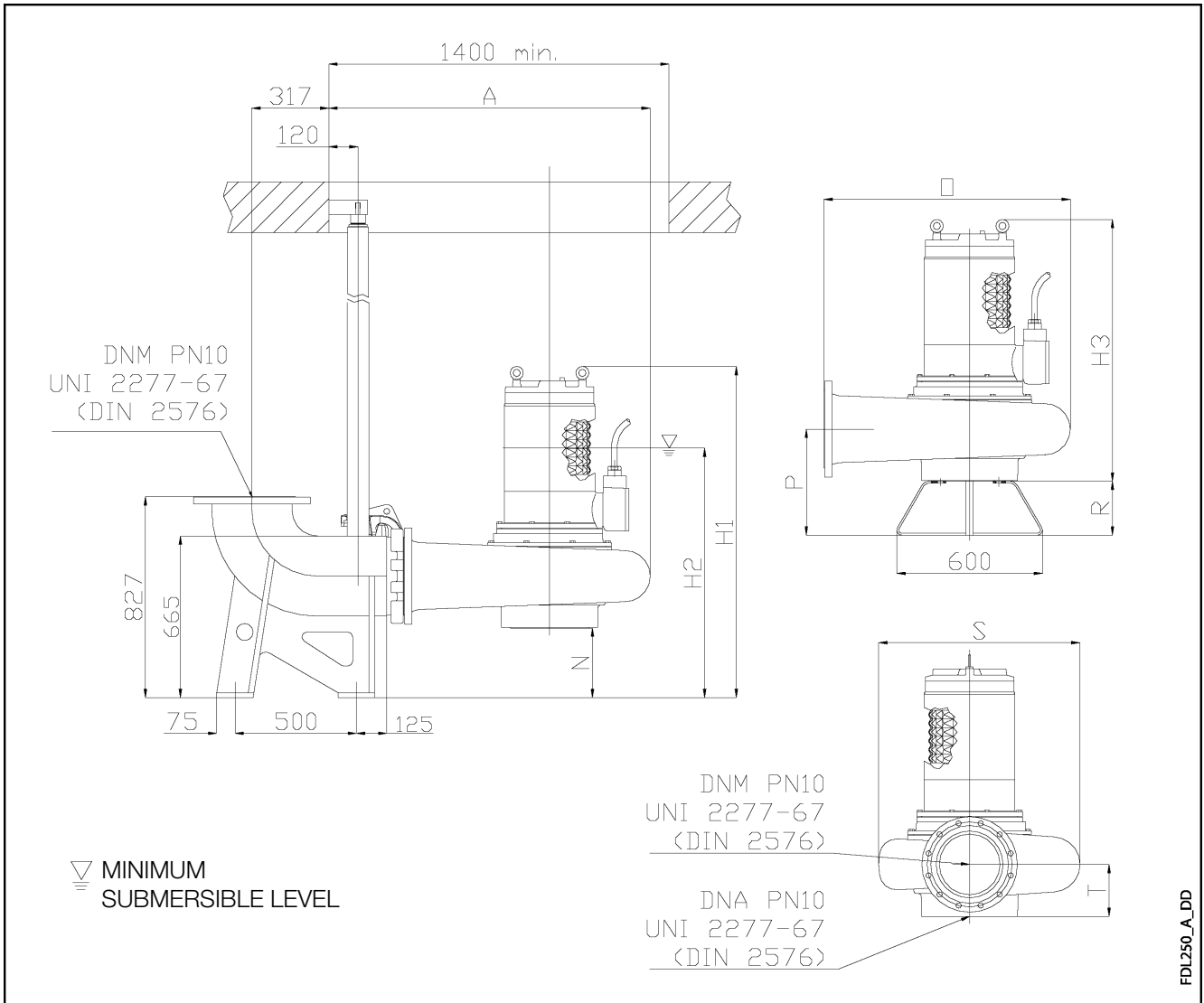
DIMENSIONS AND WEIGHTS, FDL SERIES (DN200)



PUMP TYPE	DIMENSIONS (mm)										DNA	DNM	WEIGHT kg
	A	N	O	P	R	S	T	H1	H2	H3			
FDL 201-63	958	139	782	433	222	604	211	1128	764	989	DN 200	DN 200	420
FDL 201-62	958	139	782	433	222	604	211	1128	764	989	DN 200	DN 200	420
FDL 201-61	958	139	782	433	222	604	211	1128	764	989	DN 200	DN 200	420

FDL200_A_TD

DIMENSIONS AND WEIGHTS, FDL SERIES (DN250)



FDL250_A_DD

PUMP TYPE	DIMENSIONS (mm)										DNA	DNM	WEIGHT kg
	A	N	O	P	R	S	T	H1	H2	H3			
FDL 252-62	1323	286	1014	436	222	829	214	1363	1027	1077	DN 250	DN 250	584
FDL 253-64	1203	286	1014	436	222	829	214	1363	1027	1077	DN 250	DN 250	584
FDL 252-61	1323	286	1014	436	222	829	214	1363	1027	1077	DN 250	DN 250	584
FDL 253-63	1203	286	1014	436	222	829	214	1363	1027	1077	DN 250	DN 250	584
FDL 253-62	1203	286	1014	436	222	829	214	1363	1027	1077	DN 250	DN 250	584
FDL 253-61	1203	286	1014	436	222	829	214	1363	1027	1077	DN 250	DN 250	584

FDL250_A_TD