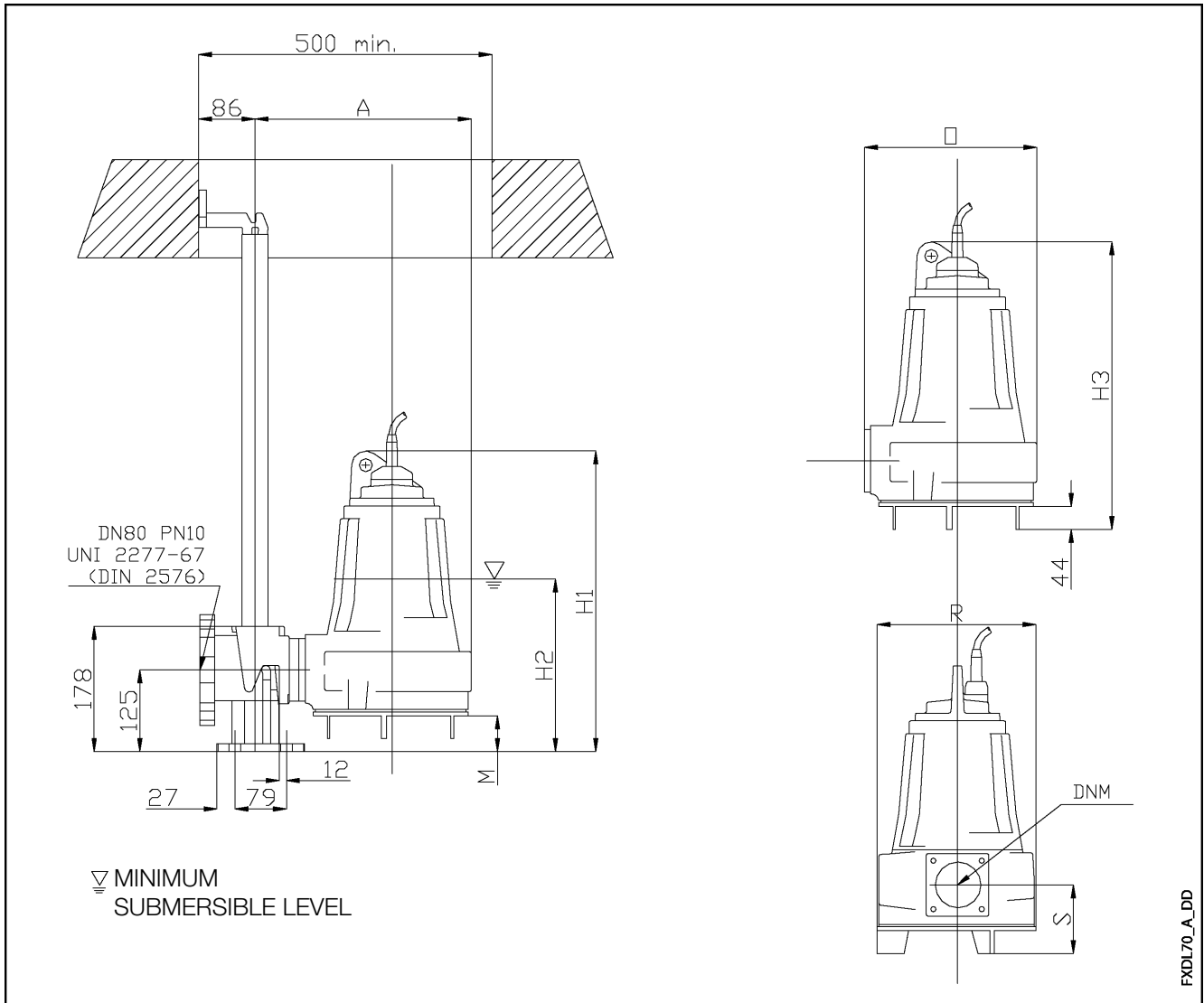


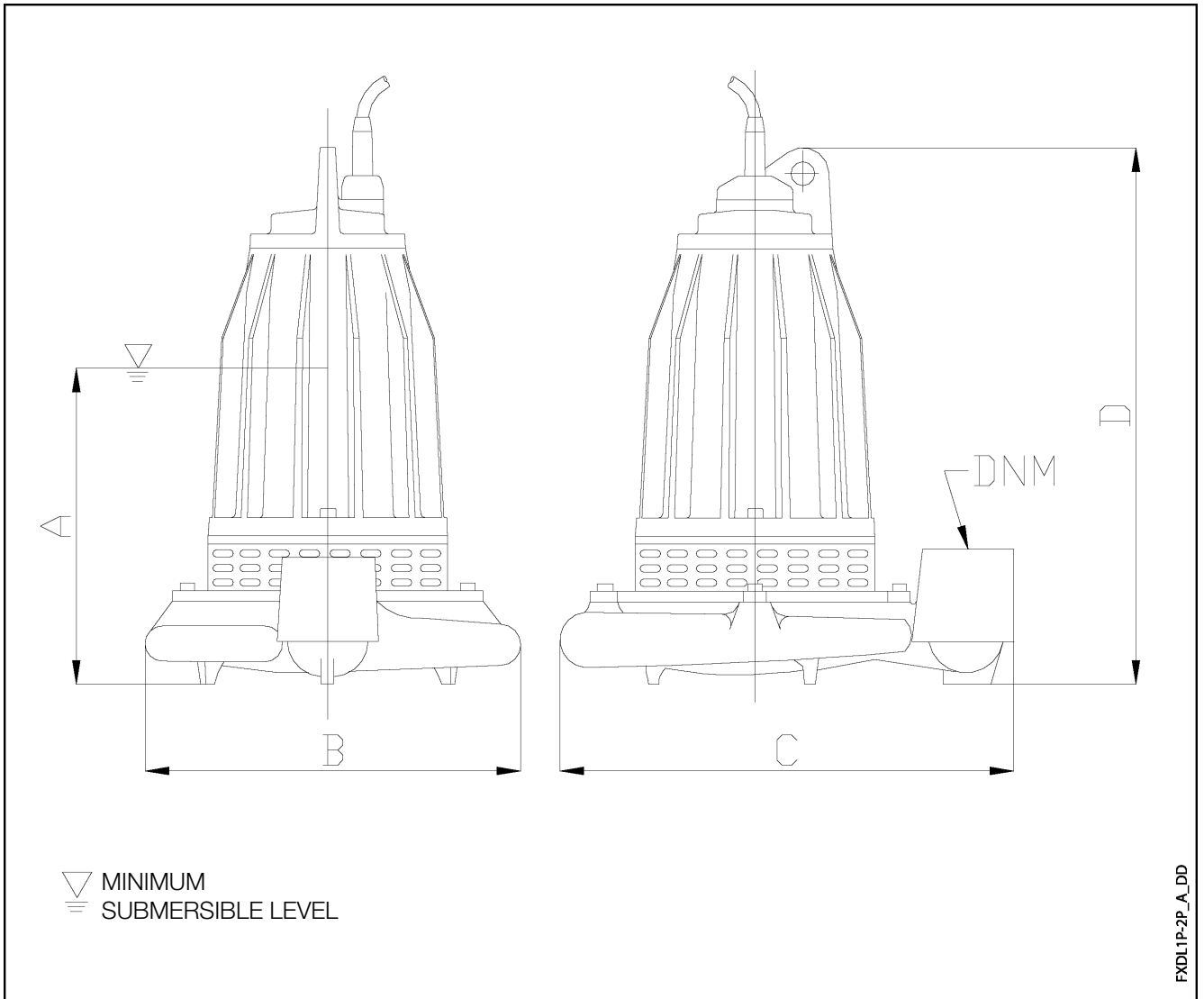
**DIMENSIONS AND WEIGHTS, FXDL 70 SERIES**



PUMP TYPE	DIMENSIONS (mm)									DNM mm	WEIGHT kg
	A	M	O	R	S	H1	H2	H3			
FXDL 62-22	332	55	279	243	105	460	265	440	70	40	
FXDL 62-21	400	44	348	269	125	472	340	472	70	51	
FXDL 64-22	400	44	348	269	125	472	340	472	70	51	
FXDL 65-22	400	44	348	269	125	570	331	570	70	70	
FXDL 66-21	400	44	348	269	125	570	331	570	70	70	

FXDL70\_A\_TD

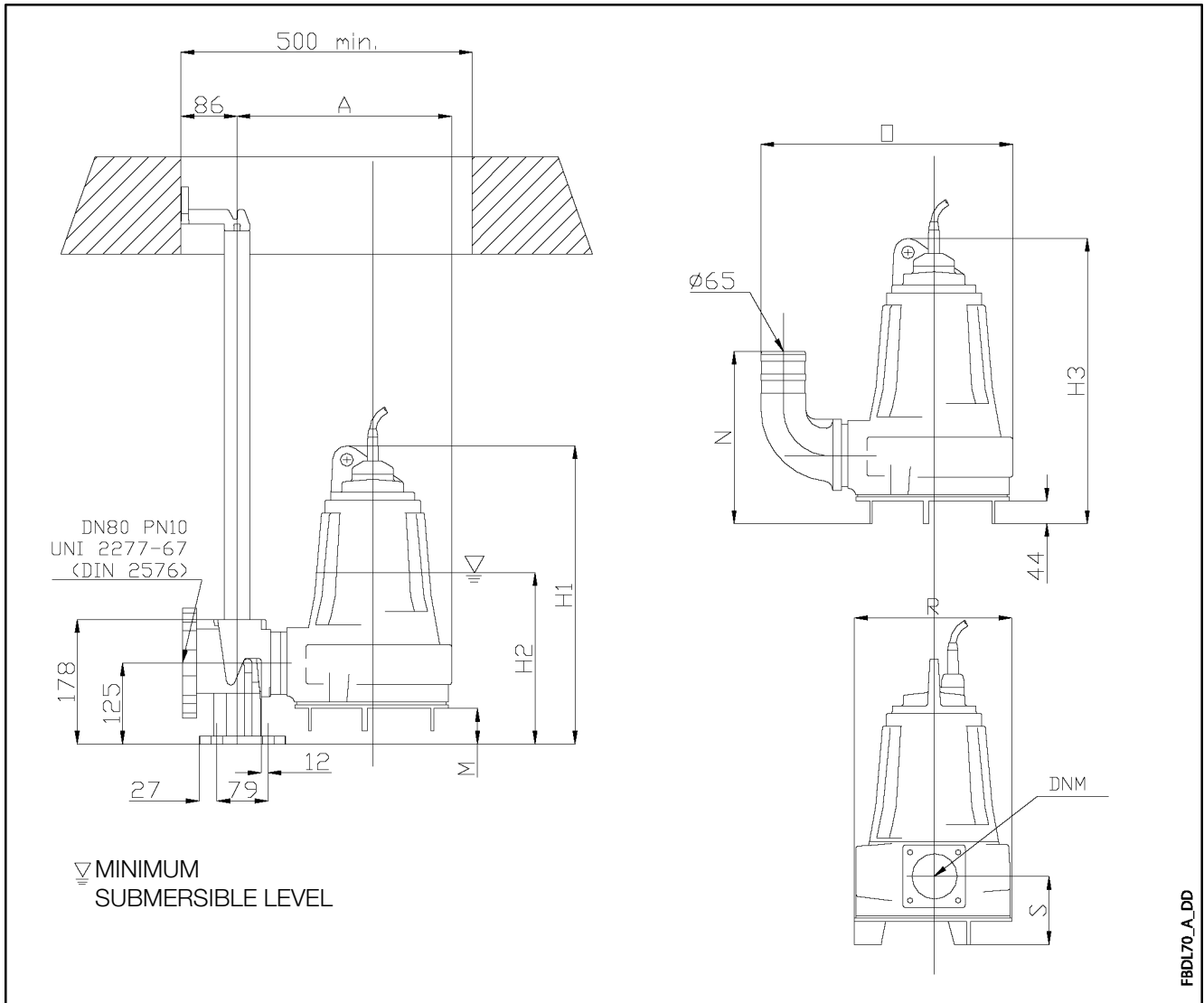
**DIMENSIONS AND WEIGHTS, FXDL Rp 1 1/2, Rp 2 SERIES**



PUMP TYPE	DIMENSIONS (mm)				DNM	WEIGHT kg
	A	B	C	D		
FXDLV 41-21	249	212	240	422	Rp 1 1/2	30
FXDL 41-21	255	212	240	422	Rp 1 1/2	30
FXDL 53-22	264	279	345	440	Rp 2	45
FXDL 56-23	303	290	350	543	Rp 2	92
FXDL 56-22	303	290	350	543	Rp 2	92
FXDL 56-21	303	290	350	543	Rp 2	92

FXDL1P-2P\_B\_TD

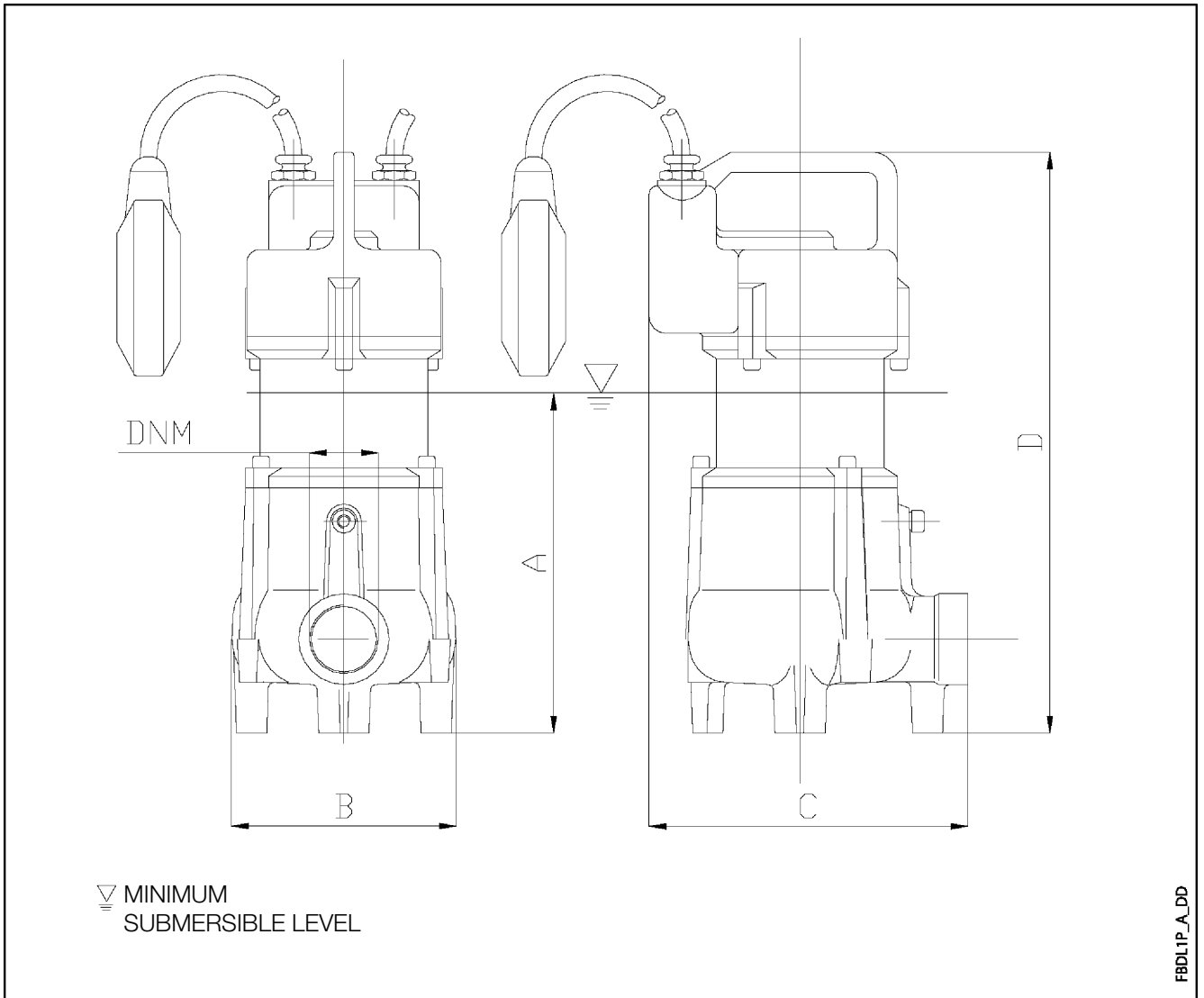
**DIMENSIONS AND WEIGHTS, FBDL 70 SERIES**



PUMP TYPE	DIMENSIONS (mm)									DNM	WEIGHT kg
	A	M	N	O	R	S	H1	H2	H3		
FBDLM 62-22	332	64	265	388	243	105	460	265	440	70	39
FBDL 62-22	332	64	265	388	243	105	460	265	440	70	39
FBDL 62-21	400	44	285	467	269	125	494	340	494	70	55
FBDL 64-22	400	44	285	467	269	125	494	340	494	70	55
FBDL 65-22	400	44	257	448	242	125	570	331	570	70	79
FBDL 66-21	400	44	257	448	242	125	570	331	570	70	79

FBDL70\_A\_TD

**DIMENSIONS AND WEIGHTS, FBDL Rp 1" 1/4 SERIES**



PUMP TYPE	DIMENSIONS (mm)				DNM	WEIGHT kg
	A	B	C	D		
FBDLVM 40-21	203	134	190	346	Rp 1 1/4	16
FBDLV 40-21	203	134	190	346	Rp 1 1/4	16

FBDL1P\_B\_TD