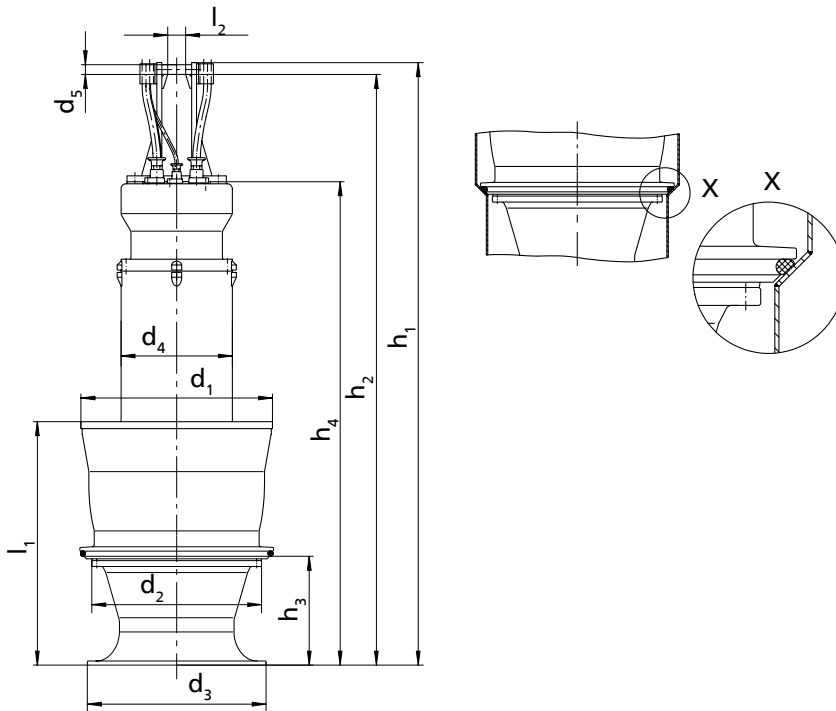


Dimensions

UAG motors (650-364 to 800-505)

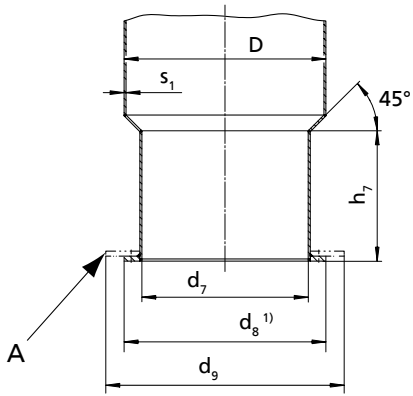


Dimensions of the pump set

Dimensions of the pump set [mm]

Size	Motor size	Number of poles	h_1	h_2	h_3	h_4	d_1	d_2	d_3	d_4	d_5	l_1	l_2	[kg] ³³⁾
650 - 364	45	4	2090	2042	260	1605	625	500	510	390	35	651	70	970
650 - 364	65	4	2090	2042	260	1605	625	500	510	390	35	651	70	970
650 - 364	80	4	2290	2242	260	1805	625	500	510	390	35	651	70	1080
650 - 365	65	4	2090	2042	260	1605	625	500	510	390	35	651	70	960
650 - 365	80	4	2290	2242	260	1805	625	500	510	390	35	651	70	1070
650 - 365	100	4	2290	2242	260	1805	625	500	510	390	35	651	70	1100
650 - 365	120	4	2290	2242	260	1805	625	500	510	390	35	651	70	1150
650 - 404	80	4	2305	2258	290	1820	620	-	500	390	35	665	70	1080
650 - 404	100	4	2305	2258	290	1820	620	-	500	390	35	665	70	1120
650 - 404	120	4	2305	2258	290	1820	620	-	500	390	35	665	70	1170
650 - 404	140	4	2505	2458	290	2020	620	-	500	390	35	665	70	1300
650 - 405	120	4	2305	2258	290	1820	620	-	500	390	35	665	70	1160
650 - 405	140	4	2505	2458	290	2020	620	-	500	390	35	665	70	1290
650 - 405	160	4	2585	2528	290	2100	620	-	500	480	45	665	90	1550
650 - 405	180	4	2585	2528	290	2100	620	-	500	480	45	665	90	1610
650 - 405	200	4	2665	2608	290	2180	620	-	500	480	45	665	90	1690
650 - 405	220	4	2665	2608	290	2180	620	-	500	480	45	665	90	1730
800 - 505	100	6	2375	2328	370	1890	775	665	645	390	35	795	70	1340
800 - 505	120	6	2375	2328	370	1890	775	665	645	390	35	795	70	1380
800 - 505	140	6	2575	2528	370	2090	775	665	645	390	35	795	70	1480
800 - 505	150	6	2520	2463	370	2035	775	665	645	480	45	795	90	1790
800 - 505	175	6	2600	2543	370	2115	775	665	645	480	45	795	90	1890

33) Pump set complete with 10 m power cable and 5 m support rope



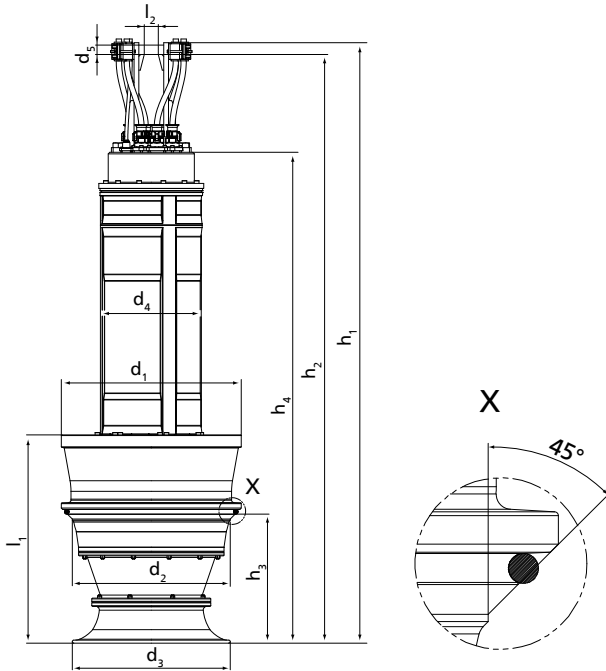
Dimensions of the discharge tube

A	Suction umbrella; option for reducing the minimum water level
1)	This dimension depends on the type of installation, see booklet of general arrangement drawings

Dimensions of the discharge tube [mm]

Size	Motor size	Number of poles	D	d ₇	d ₉	h ₇	s ₁
650 - 364	45	4	660	530	900	225	7,1
650 - 364	65	4	660	530	900	225	7,1
650 - 364	80	4	660	530	900	225	7,1
650 - 365	65	4	660	530	900	225	7,1
650 - 365	80	4	660	530	900	225	7,1
650 - 365	100	4	660	530	900	225	7,1
650 - 365	120	4	660	530	900	225	7,1
650 - 404	80	4	660	530	900	265	7,1
650 - 404	100	4	660	530	900	265	7,1
650 - 404	120	4	660	530	900	265	7,1
650 - 404	140	4	660	530	900	265	7,1
650 - 405	120	4	660	530	900	265	7,1
650 - 405	140	4	660	530	900	265	7,1
650 - 405	160	4	660	530	900	265	7,1
650 - 405	180	4	660	530	900	265	7,1
650 - 405	200	4	660	530	900	265	7,1
650 - 405	220	4	660	530	900	265	7,1
800 - 505	100	6	813	680	1050	335	8
800 - 505	120	6	813	680	1050	335	8
800 - 505	140	6	813	680	1050	335	8
800 - 505	150	6	813	680	1050	335	8
800 - 505	175	6	813	680	1050	335	8

UTG motors (800-535 to 1300-820)



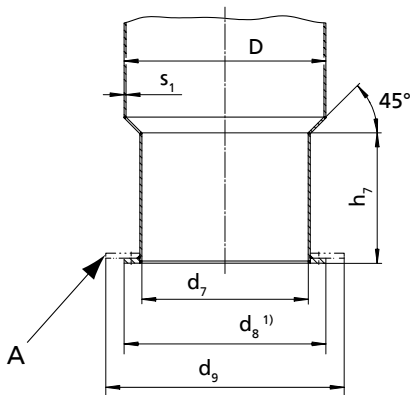
Dimensions of the pump set

Dimensions of the pump set [mm]

Size	Motor size	Number of poles	h_1	h_2	h_3	h_4	d_1	d_2	d_3	d_4	d_5	l_1	l_2	[kg] ³⁴⁾
800 - 535	120	6	2720	2680	350	2030	775	670	700	385	40	885	80	1500
800 - 535	155	6	2740	2700	350	2050	775	670	700	475	40	885	80	1690
800 - 535	180	6	2740	2700	350	2050	775	670	700	475	40	885	80	1785
800 - 535	205	6	2740	2700	350	2050	775	670	700	475	40	885	80	1840
850 - 535	250	6	3150	3090	350	2550	775	670	700	555	50	885	90	2440
850 - 550	155	6	2780	2740	415	2090	826	720	700	475	40	865	80	1735
850 - 550	180	6	2780	2740	415	2090	826	720	700	475	40	865	80	1830
850 - 550	205	6	2780	2740	415	2090	826	720	700	475	40	865	80	1885
850 - 550	250	6	3190	3130	415	2590	826	720	700	555	50	865	90	2480
850 - 550	290	6	3190	3130	415	2590	826	720	700	555	50	865	90	2655
850 - 550	85	8	2780	2740	415	2090	826	720	700	475	40	865	80	1700
850 - 550	120	8	2780	2740	415	2090	826	720	700	475	40	865	80	1710
900 - 600	250	6	3145	3085	450	2545	875	780	750	555	50	895	90	2580
900 - 600	290	6	3145	3085	450	2545	875	780	750	555	50	895	90	2740
900 - 600	340	6	3145	3085	450	2545	875	780	750	555	50	895	90	2885
900 - 615	250	6	3120	3060	450	2520	870	760	730	555	50	815	90	2785
900 - 615	290	6	3120	3060	450	2520	870	760	730	555	50	815	90	2955
900 - 615	340	6	3120	3060	450	2520	870	760	730	555	50	815	90	3090
900 - 620	250	6	3105	3045	405	2505	875	755	645	555	50	970	90	2650
900 - 620	290	6	3105	3045	405	2505	875	755	645	555	50	970	90	2825
900 - 620	340	6	3105	3045	405	2505	875	755	645	555	50	970	90	2955
1000 - 600	415	6	3595	3520	450	2895	875	780	750	650	60	895	90	3570
1000 - 615	415	6	3570	3495	450	2870	960	760	730	650	60	1190	90	3780
1000 - 620	415	6	3555	3480	405	2855	875	755	645	650	60	970	90	3650
1000 - 655	205	8	3235	3175	550	2635	975	855	900	555	50	1220	90	2775
1000 - 655	250	8	3235	3175	550	2635	975	855	900	555	50	1220	90	2905
1000 - 655	290	8	3235	3175	550	2635	975	855	900	555	50	1220	90	3070
1000 - 655	350	8	3685	3610	550	2985	975	855	900	650	60	1220	90	3770
1300 - 820	200	10	3280	3220	600	2680	1200	970	1050	555	50	1195	90	3720
1300 - 820	250	10	3280	3220	600	2680	1200	970	1050	555	50	1195	90	3970

³⁴⁾ Pump set complete with 10 m power cable and 5 m support rope

Size	Motor size	Number of poles	h_1	h_2	h_3	h_4	d_1	d_2	d_3	d_4	d_5	l_1	l_2	[kg] ³⁴⁾
1300 - 820	310	10	3580	3505	600	2880	1200	970	1050	650	60	1195	90	4590
1300 - 820	365	10	3805	3730	600	3105	1200	970	1050	650	60	1195	90	4990
1300 - 820	420	10	3805	3730	600	3105	1200	970	1050	650	60	1195	90	5140



Dimensions of the discharge tube

A	Suction umbrella; option for reducing the minimum water level
1)	This dimension depends on the type of installation, see booklet of general arrangement drawings

Dimensions of the discharge tube [mm]

Size	Motor size	Number of poles	D	d_7	d_9	h_7	s_1
800 - 535	120	6	813	720	1300	325	8
800 - 535	155	6	813	720	1300	325	8
800 - 535	180	6	813	720	1300	325	8
800 - 535	205	6	813	720	1300	325	8
850 - 535	250	6	868	720	1300	325	8
850 - 550	155	6	868	740	1300	375	8
850 - 550	180	6	868	740	1300	375	8
850 - 550	205	6	868	740	1300	375	8
850 - 550	250	6	868	740	1300	375	8
850 - 550	290	6	868	740	1300	375	8
850 - 550	85	8	868	740	1300	375	8
850 - 550	120	8	868	740	1300	375	8
900 - 600	250	6	914	800	1300	415	10
900 - 600	290	6	914	800	1300	415	10
900 - 600	340	6	914	800	1300	415	10
900 - 615	250	6	914	780	1300	420	10
900 - 615	290	6	914	780	1300	420	10
900 - 615	340	6	914	780	1300	420	10
900 - 620	250	6	914	770	1300	365	10
900 - 620	290	6	914	770	1300	365	10
900 - 620	340	6	914	770	1300	365	10
1000 - 600	415	6	1016	800	1300	415	10
1000 - 615	415	6	1016	780	1300	420	10
1000 - 620	415	6	1016	770	1300	365	10
1000 - 655	205	8	1016	920	1500	515	10
1000 - 655	250	8	1016	920	1500	515	10
1000 - 655	290	8	1016	920	1500	515	10
1000 - 655	350	8	1016	920	1500	515	10
1300 - 820	200	10	1320	1080	1800	545	12
1300 - 820	250	10	1320	1080	1800	545	12
1300 - 820	310	10	1320	1080	1800	545	12

³⁴⁾ Pump set complete with 10 m power cable and 5 m support rope

Size	Motor size	Number of poles	D	d ₇	d ₉	h ₇	s ₁
1300 - 820	365	10	1320	1080	1800	545	12
1300 - 820	420	10	1320	1080	1800	545	12

Installation types

Six design variants³⁵⁾ are available for the following installation types:

Installation types

<p>BU discharge tube Overflow design for installation in open intake chamber</p>	<p>BG discharge tube Overflow design for installation in covered intake chamber with low suction-side water levels</p>
<p>CU discharge tube Design with underfloor discharge for installation in open intake chamber</p>	<p>CG discharge tube Design with underfloor discharge for installation in covered intake chamber with low suction-side water levels</p>
<p>DU discharge tube Design with above floor discharge nozzle for installation in open intake chamber</p>	<p>DG discharge tube Design with above floor discharge nozzle for installation in covered intake chamber with low suction-side water levels</p>

³⁵⁾ For information on the various designs (foundation measurements, intake chamber, etc.) refer to the general arrangement drawings.

Scope of supply

Depending on the model, the following items are included in the scope of supply:

- Pump set complete with 10 m power cable
- O-ring
- Back-up name plate

Accessories (optional):

- Support rope
- Accessories for cable support
 - Spacer
 - Turnbuckle
 - Support spacer
 - Shackle
 - Cable clamps
- Cable support sleeves
- Flow-straightening vane to prevent floor vortices
- Discharge tube in various designs (steel or GFRP)

Accessories

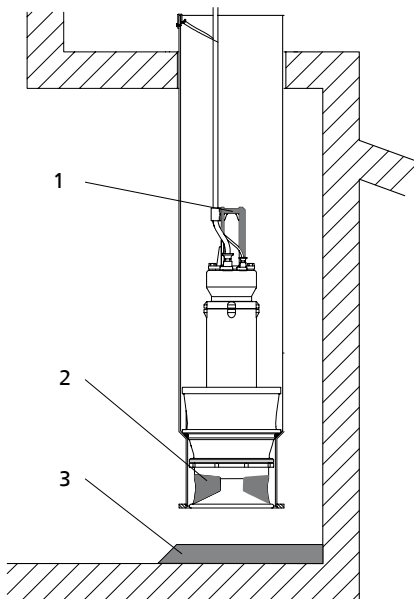
Flow-straightening vane and intake chamber

Design of the intake chamber wall surfaces (to prevent vortex formation)

The flow-straightening vane is indispensable for the inlet conditions of the pump set. It prevents the development of a submerged vortex (floor vortex) which could cause a drop in performance, for example. In addition, the floor and wall surfaces of the intake chamber should be designed as a rough concrete surface. Rough surfaces minimise the separation of boundary layers that may cause wall and floor vortices.

Flow-straightening vane and intake chamber

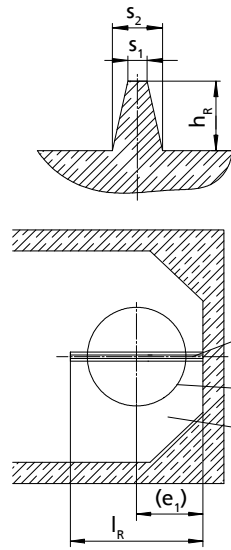
- The anti-vortex vanes in the bellmouth must be aligned with the flow-straightening vane.
- The bail of the pump is oriented in the same direction as the anti-swirl baffles in the bellmouth.



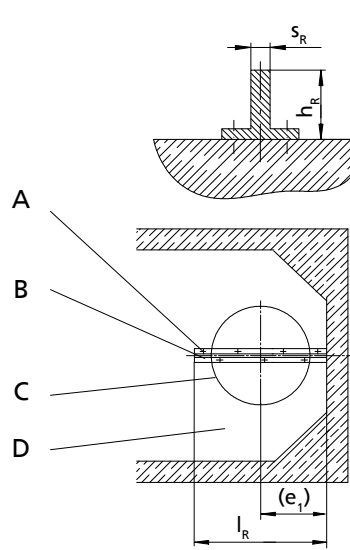
Installation position of the pump set

1	Bail
2	Anti-vortex vanes
3	Flow-straightening vane

Variant 1
 Flow-straightening vane cast from concrete

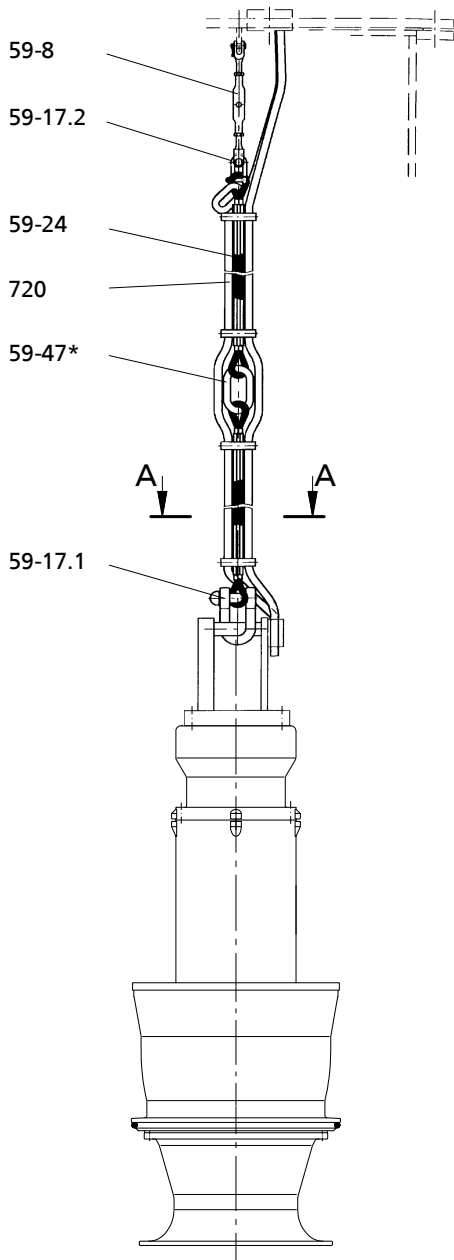


Variant 2
 Steel section

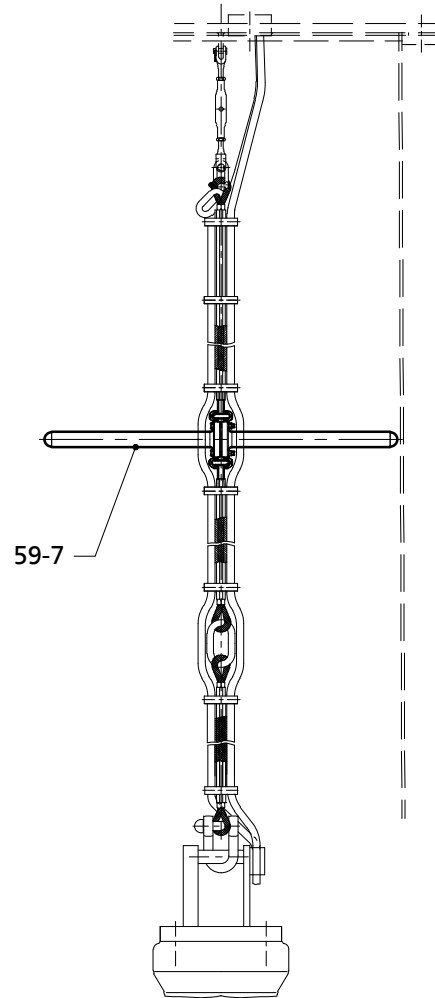


A	Bolted to the floor of the intake chamber
B	Flow-straightening vane centred beneath the discharge tube
C	Discharge tube
D	Intake chamber

Support rope and turnbuckle in the discharge tube



For large installation depths
(with support spacer)

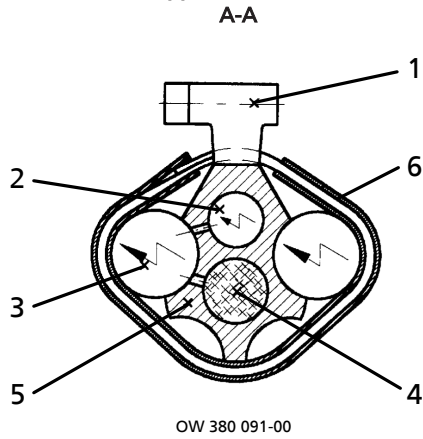


*= The number of (intermediate) lifting rings depends on the lifting height of the hoisting tackle and on the building structure. (Intermediate lifting rings are supplied as an option).

List of components

Part No.	Description	Material
59-8	Turnbuckle	Stainless steel
59-17.2	Shackle	Stainless steel
59-47	(Intermediate) lifting ring(s)	Stainless steel
59-24	Rope, low rotation design	Stainless steel
720	Spacer	EPDM
59-17.1	Shackle	Galvanised steel (stainless steel optional)
59-7	Support spacer	GFRP

Cross-section of cable support

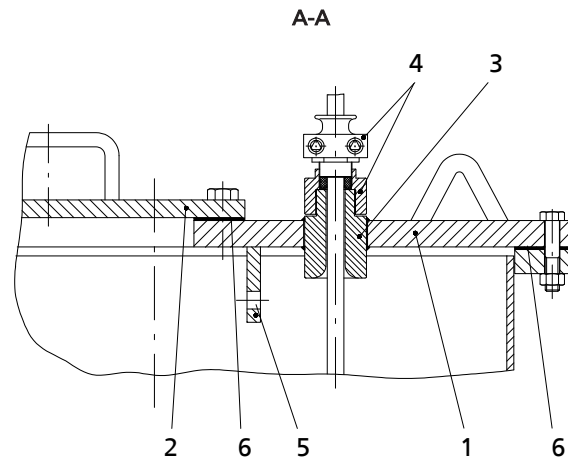
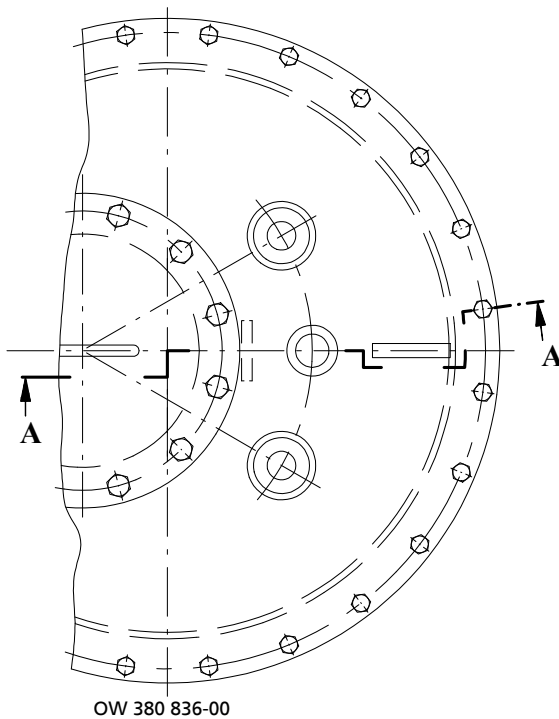


List of components

Part No.	Description	Part No.	Description
1	Cable clamp (approximately every 400 mm)	4	Support rope 59-24
2	Control cable	5	Spacer
3	Power cable	6	Clamp cover

Discharge tube cover with cable gland

Design variant with welding sleeve

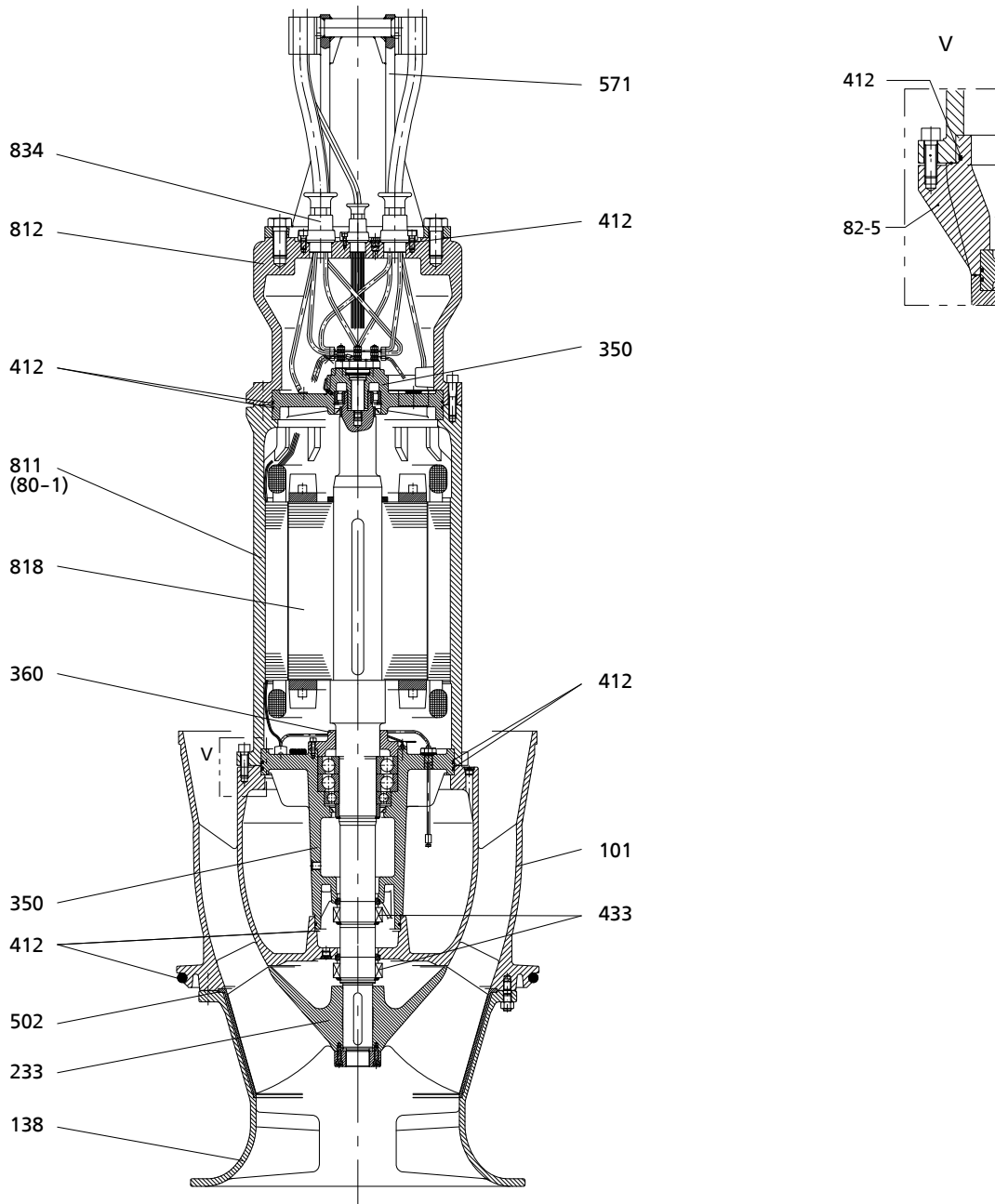


List of components

Part No.	Description	Part No.	Description
1	Discharge tube cover	4	Threaded bush with cable entry to DIN 22419 with strain relief and protection against kinking and twisting
2	Cover	5	Eyeplate for fastening the cable support (support rope)
3	Welding sleeve	6	Gasket, e.g. fabric-reinforced rubber

General assembly drawing

Amacan S 650-364 / 365
Amacan S 650-404 / 405
Amacan S 800-505
Motor version: UAG

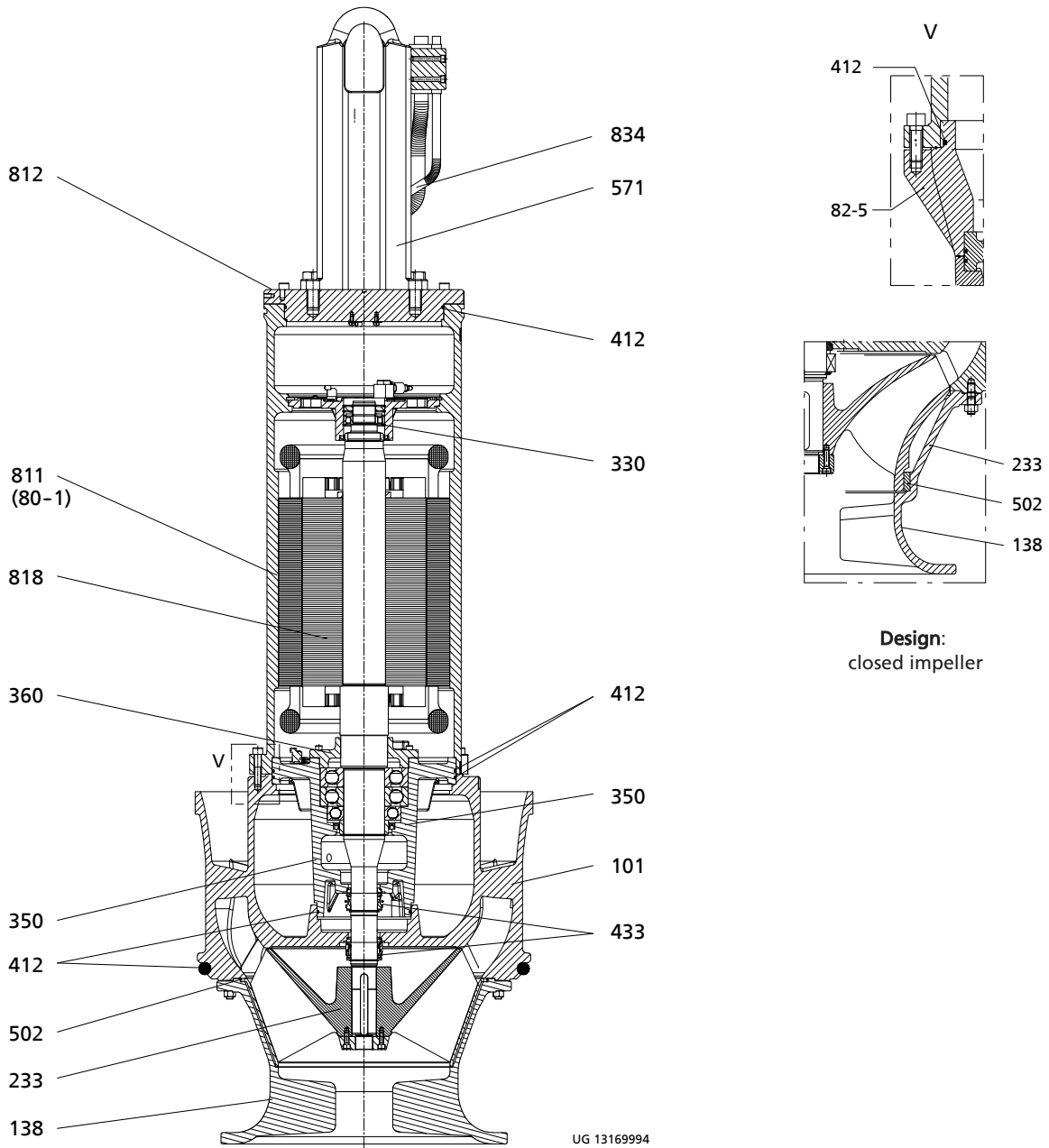


0W 383 890-00

List of components

Part No.	Description	Part No.	Description
101	Pump casing	502	Casing wear ring
138	Bellmouth	571	Bail
233	Open counter-clockwise impeller	811	Motor housing
350	Bearing housing	812	Motor housing cover
360	Bearing cover	82-5	Adapter
412	O-ring	818	Shaft (rotor)
433	Mechanical seal	834	Cable gland

Amacan S 800-535
 Amacan S 850-535 / 850-550
 Amacan S 900-600 / 900-615 / 900-620
 Amacan S 1000-600 / 1000-615 / 1000-620 / 1000-655
 Amacan S 1300-820
 Motor version: UTG



List of components

Part No.	Description	Part No.	Description
101	Pump casing	433	Mechanical seal
138	Bellmouth	502	Casing wear ring
233	Open counter-clockwise impeller	571	Bail
	Closed counter-clockwise impeller	811	Motor housing
330	Bearing bracket	812	Motor housing cover
350	Bearing housing	82-5	Adapter
360	Bearing cover	818	Shaft (rotor)
412	O-ring	834	Cable gland



KSB Aktiengesellschaft

P.O. Box 200743 • 06008 Halle (Saale) • Turmstraße 92 • 06110 Halle (Germany)

Tel. +49 345 4826-0 • Fax +49 345 4826-4699

www.ksb.com