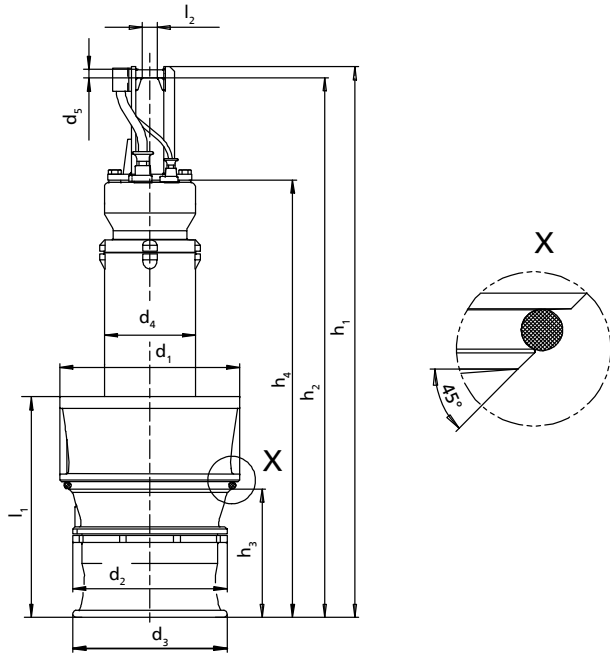


Dimensions

UAG/XAG motors (500-270 to 600-350)

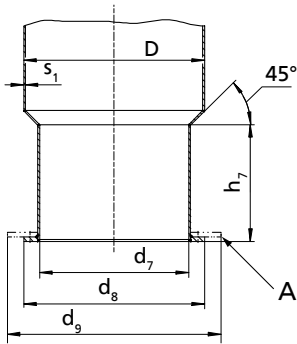


Dimensions of the pump set

Dimensions of the pump set [mm]

Pump size	Motor size	Number of poles	d_1	d_2	d_3	d_4	d_5	h_1	h_2	h_3	h_4	l_1	l_2	[kg] ⁴⁸⁾
A 500-270	10	4	470	380	380	280	30	1550	1500	305	1150	500	70	365
A 500-270	16	4	470	380	380	280	30	1550	1500	305	1150	500	70	370
A 500-270	20	4	470	380	380	280	30	1710	1660	305	1310	500	70	410
A 500-270	6	6	470	380	380	280	30	1550	1500	305	1150	500	70	360
A 600-350	20	4	570	485	485	280	30	1825	1775	555	1425	820	70	515
A 600-350	32	4	570	485	485	280	30	1825	1775	555	1425	820	70	555
A 600-350	40	4	570	485	485	280	30	1825	1775	555	1425	820	70	560
A 600-350	60	4	570	485	485	280	30	2010	1960	555	1610	820	70	620
A 600-350	70	4	570	485	485	280	30	2010	1960	555	1610	820	70	650
A 600-350	10	6	570	485	485	280	30	1665	1615	555	1265	820	70	465
A 600-350	16	6	570	485	485	280	30	1665	1615	555	1265	820	70	480
A 600-350	25	6	570	485	485	280	30	1825	1775	555	1425	820	70	530
B 600-350	32	4	570	485	485	280	30	1825	1775	555	1425	820	70	555
B 600-350	40	4	570	485	485	280	30	1825	1775	555	1425	820	70	560
B 600-350	60	4	570	485	485	280	30	2010	1960	555	1610	820	70	620
B 600-350	70	4	570	485	485	280	30	2010	1960	555	1610	820	70	650

⁴⁸⁾ Pump set with 10-metre power cable (400 V) and 5-metre rope



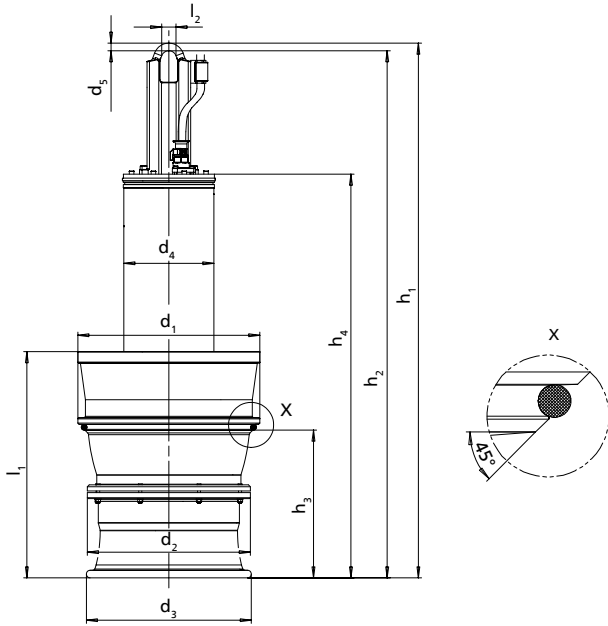
Dimensions of the discharge tube

A	Suction umbrella; option for reducing the minimum water level
---	---

Dimensions of the discharge tube [mm]

Pump size	Motor size	Number of poles	D	d ₇	d ₈	d ₉	h ₇	s ₁
A 500-270	10	4	508	400	505	650	295	7
A 500-270	16	4	508	400	505	650	295	7
A 500-270	20	4	508	400	505	650	295	7
A 500-270	6	6	508	400	505	650	295	7
A 600-350	20	4	610	500	610	800	540	7
A 600-350	32	4	610	500	610	800	540	7
A 600-350	40	4	610	500	610	800	540	7
A 600-350	60	4	610	500	610	800	540	7
A 600-350	70	4	610	500	610	800	540	7
A 600-350	10	6	610	500	610	800	540	7
A 600-350	16	6	610	500	610	800	540	7
A 600-350	25	6	610	500	610	800	540	7
B 600-350	32	4	610	500	610	800	540	7
B 600-350	40	4	610	500	610	800	540	7
B 600-350	60	4	610	500	610	800	540	7
B 600-350	70	4	610	500	610	800	540	7

UTG-/XTG motors (700-470 to 1600-1060)



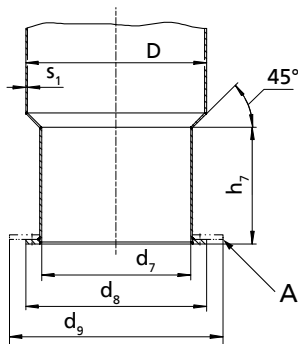
Dimensions of the pump set

Dimensions of the pump set

Size	Motor size	Number of poles	d_1	d_2	d_3	d_4	d_5	h_1	h_2	h_3	h_4	l_1	l_2	[kg] ⁴⁹⁾
A 700 - 470	47	6	675	585	585	385	40	2190	2150	430	1500	735	80	885
A 700 - 470	60	6	675	585	585	385	40	2190	2150	430	1500	735	80	925
A 700 - 470	80	6	675	585	585	385	40	2390	2350	430	1700	735	80	1015
A 700 - 470	100	6	675	585	585	385	40	2390	2350	430	1700	735	80	1070
A 700 - 470	30	8	675	585	585	385	40	2190	2150	430	1500	735	80	905
A 700 - 470	40	8	675	585	585	385	40	2190	2150	430	1500	735	80	910
B 700 - 470	60	6	675	585	585	385	40	2190	2150	430	1500	735	80	955
B 700 - 470	80	6	675	585	585	385	40	2390	2350	430	1700	735	80	1045
B 700 - 470	100	6	675	585	585	385	40	2390	2350	430	1700	735	80	1100
B 700 - 470	120	6	675	585	585	385	40	2390	2350	430	1700	735	80	1170
A 800 - 540	80	6	770	660	660	385	40	2445	2405	550	1755	945	80	1165
A 800 - 540	100	6	770	660	660	385	40	2445	2405	550	1755	945	80	1220
A 800 - 540	120	6	770	660	660	385	40	2445	2405	550	1755	945	80	1290
A 800 - 540	40	8	770	660	660	385	40	2245	2205	550	1555	945	80	1060
A 800 - 540	55	8	770	660	660	385	40	2445	2405	550	1755	945	80	1165
A 800 - 540	70	8	770	660	660	385	40	2445	2405	550	1755	945	80	1165
A 800 - 540	100	8	770	660	660	385	40	2445	2405	550	1755	945	80	1290
B 800 - 540	120	6	770	660	660	385	40	2445	2405	550	1755	945	80	1315
A 900 - 540	155	6	860	660	660	475	40	2615	2575	570	1925	1045	80	1555
A 900 - 540	180	6	860	660	660	475	40	2615	2575	570	1925	1045	80	1655
B 900 - 540	155	6	860	660	660	475	40	2615	2575	570	1925	1045	80	1580
B 900 - 540	180	6	860	660	660	475	40	2615	2575	570	1925	1045	80	1680
B 900 - 540	205	6	860	660	660	475	40	2615	2575	570	1925	1045	80	1735
A 1000 - 700	120	8	960	860	870	475	40	2820	2780	780	2130	1195	80	1990
A 1000 - 700	160	8	960	860	870	475	40	2820	2780	780	2130	1195	80	2160
A 1000 - 700	205	8	960	860	870	555	50	3230	3170	780	2630	1195	90	2765
A 1000 - 700	250	8	960	860	870	555	50	3230	3170	780	2630	1195	90	2895
A 1000 - 700	290	8	960	860	870	555	50	3230	3170	780	2630	1195	90	3060
A 1000 - 700	60	10	960	860	870	475	40	2820	2780	780	2130	1195	80	1910
A 1000 - 700	90	10	960	860	870	475	40	2820	2780	780	2130	1195	80	2010
A 1000 - 700	120	10	960	860	870	475	40	2820	2780	780	2130	1195	80	2095
B 1000 - 700	160	8	960	860	870	475	40	2820	2780	780	2130	1195	80	2200

⁴⁹⁾ Pump set with 10-metre power cable (400 V) and 5-metre rope

Size	Motor size	Number of poles	d ₁	d ₂	d ₃	d ₄	d ₅	h ₁	h ₂	h ₃	h ₄	l ₁	l ₂	[kg] ⁴⁹⁾
B 1000 - 700	205	8	960	860	870	555	50	3230	3170	780	2630	1195	90	2805
B 1000 - 700	250	8	960	860	870	555	50	3230	3170	780	2630	1195	90	2935
B 1000 - 700	290	8	960	860	870	555	50	3230	3170	780	2630	1195	90	3100
A 1200 - 870	200	10	1150	1050	1050	555	50	3290	3230	1015	2690	1405	90	3340
A 1200 - 870	250	10	1150	1050	1050	555	50	3290	3230	1015	2690	1405	90	3590
A 1200 - 870	310	10	1150	1050	1050	650	60	3740	3665	1015	3040	1405	90	4360
A 1200 - 870	365	10	1150	1050	1050	650	60	3965	3890	1015	3265	1405	90	4730
A 1200 - 870	420	10	1150	1050	1050	650	60	3965	3890	1015	3265	1405	90	4990
A 1200 - 870	130	12	1150	1050	1050	555	50	3290	3230	1015	2690	1405	90	3140
A 1200 - 870	190	12	1150	1050	1050	555	50	3290	3230	1015	2690	1405	90	3560
A 1200 - 870	251	12	1150	1050	1050	650	60	3740	3665	1015	3040	1405	90	4360
B 1200 - 870	250	10	1150	1050	1050	555	50	3290	3230	1015	2690	1405	90	3710
B 1200 - 870	310	10	1150	1050	1050	650	60	3740	3665	1015	3040	1405	90	4480
B 1200 - 870	365	10	1150	1050	1050	650	60	3965	3890	1015	3265	1405	90	4850
B 1200 - 870	420	10	1150	1050	1050	650	60	3965	3890	1015	3265	1405	90	5110
B 1200 - 870	470	10	1150	1050	1050	650	60	3965	3890	1015	3265	1405	90	5290
A 1500 - 1060	250	12	1430	1300	1300	650	60	3775	3700	1475	3075	1860	90	5220
A 1500 - 1060	320	12	1430	1300	1300	650	60	4000	3925	1475	3330	1860	90	5680
A 1500 - 1060	370	12	1430	1300	1300	650	60	4000	3925	1475	3330	1860	90	5840
A 1500 - 1060	410	12	1430	1300	1300	650	60	4000	3925	1475	3330	1860	90	6020
A 1500 - 1060	210	14	1430	1300	1300	650	60	4000	3925	1475	3330	1860	90	5530
A 1500 - 1060	270	14	1430	1300	1300	650	60	4000	3925	1475	3330	1860	90	5730
A 1500 - 1060	340	14	1430	1300	1300	650	60	4000	3925	1475	3330	1860	90	5970
B 1500 - 1060	370	12	1430	1300	1300	650	60	4000	3925	1475	3330	1860	90	6020
B 1500 - 1060	410	12	1430	1300	1300	650	60	4000	3925	1475	3330	1860	90	6200
A 1600-1060	450	12	1540	1350	1300	760	70	4085	3995	1260	3375	1800	100	7050
A 1600-1060	500	12	1540	1350	1300	760	70	4085	3995	1260	3375	1800	100	7500
A 1600-1060	560	12	1540	1350	1300	775	70	4385	4295	1260	3675	1800	100	7990
A 1600-1060	620	12	1540	1350	1300	775	70	4385	4295	1260	3675	1800	100	8200
B 1600-1060	450	12	1540	1350	1300	760	70	4085	3995	1260	3375	1800	100	7230
B 1600-1060	500	12	1540	1350	1300	760	70	4085	3995	1260	3375	1800	100	7680
B 1600-1060	560	12	1540	1350	1300	775	70	4385	4295	1260	3675	1800	100	8170
B 1600-1060	620	12	1540	1350	1300	775	70	4385	4295	1260	3675	1800	100	8380
B 1600-1060	680	12	1540	1350	1300	775	70	4385	4295	1260	3675	1800	100	8660
A 1600-1060	370	14	1540	1350	1300	760	70	4085	3995	1260	3375	1800	100	7050
A 1600-1060	410	14	1540	1350	1300	760	70	4085	3995	1260	3375	1800	100	7370



Dimensions of the discharge tube

A	Suction umbrella; option for reducing the minimum water level
---	---

Dimensions of the discharge tube [mm]

Size	Motor size	Number of poles	D	d ₇	d ₈	d ₉	h ₇	s ₁
A 700 - 470	47	6	711	600	710	1100	420	8
A 700 - 470	60	6	711	600	710	1100	420	8

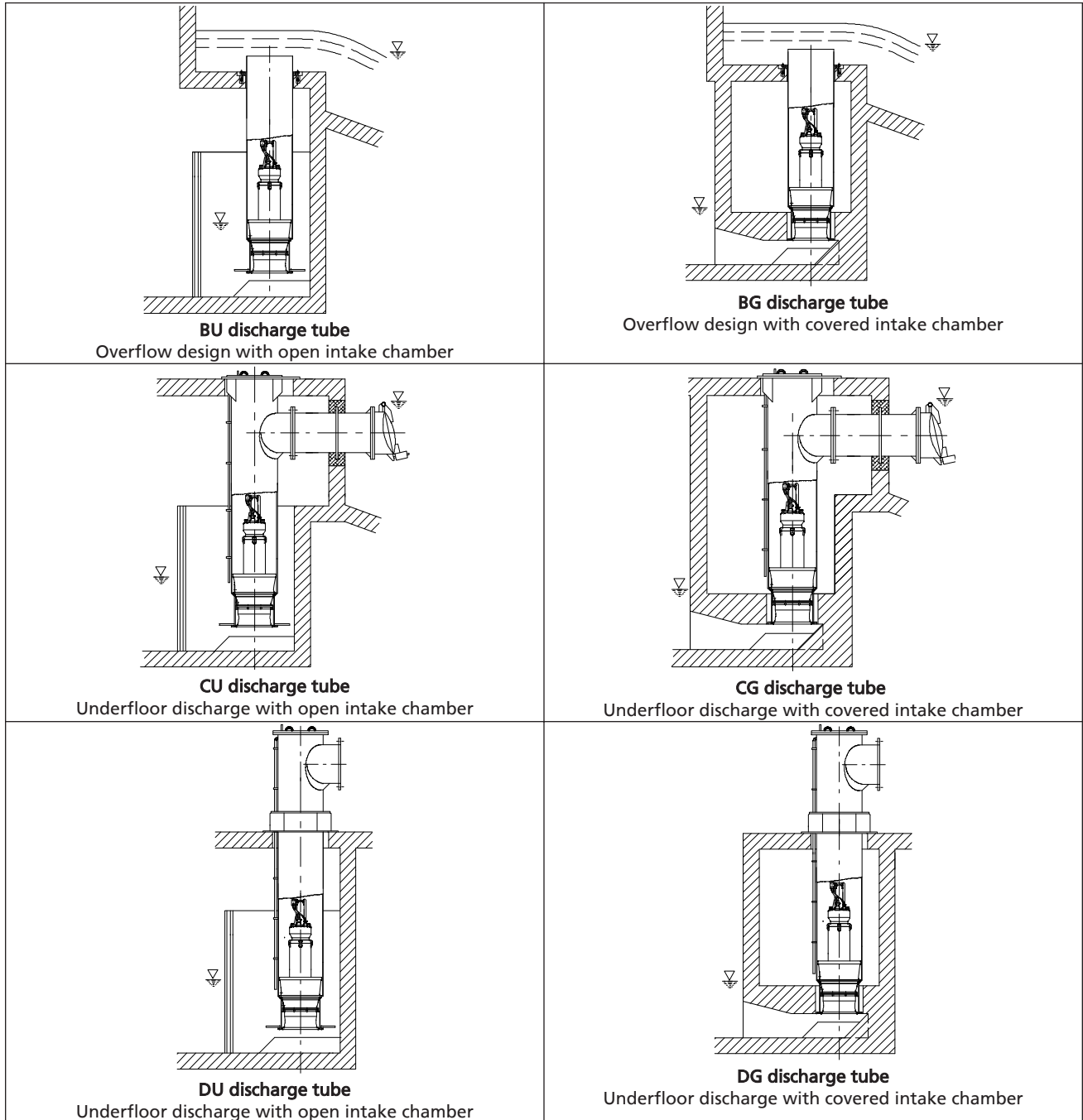
⁴⁹⁾ Pump set with 10-metre power cable (400 V) and 5-metre rope

Size	Motor size	Number of poles	D	d ₇	d ₈	d ₉	h ₇	s ₁
A 700 - 470	80	6	711	600	710	1100	420	8
A 700 - 470	100	6	711	600	710	1100	420	8
A 700 - 470	30	8	711	600	710	1100	420	8
A 700 - 470	40	8	711	600	710	1100	420	8
B 700 - 470	60	6	711	600	710	1100	420	8
B 700 - 470	80	6	711	600	710	1100	420	8
B 700 - 470	100	6	711	600	710	1100	420	8
B 700 - 470	120	6	711	600	710	1100	420	8
A 800 - 540	80	6	813	680	810	1250	525	8
A 800 - 540	100	6	813	680	810	1250	525	8
A 800 - 540	120	6	813	680	810	1250	525	8
A 800 - 540	40	8	813	680	810	1250	525	8
A 800 - 540	55	8	813	680	810	1250	525	8
A 800 - 540	70	8	813	680	810	1250	525	8
A 800 - 540	100	8	813	680	810	1250	525	8
B 800 - 540	120	6	813	680	810	1250	525	8
A 900 - 540	155	6	914	700	910	1250	515	8
A 900 - 540	180	6	914	700	910	1250	515	8
B 900 - 540	155	6	914	700	910	1250	515	8
B 900 - 540	180	6	914	700	910	1250	515	8
B 900 - 540	205	6	914	700	910	1250	515	8
A 1000 - 700	120	8	1016	880	1015	1600	765	10
A 1000 - 700	160	8	1016	880	1015	1600	765	10
A 1000 - 700	205	8	1016	880	1015	1600	765	10
A 1000 - 700	250	8	1016	880	1015	1600	765	10
A 1000 - 700	290	8	1016	880	1015	1600	765	10
A 1000 - 700	60	10	1016	880	1015	1600	765	10
A 1000 - 700	90	10	1016	880	1015	1600	765	10
A 1000 - 700	120	10	1016	880	1015	1600	765	10
B 1000 - 700	160	8	1016	880	1015	1600	765	10
B 1000 - 700	205	8	1016	880	1015	1600	765	10
B 1000 - 700	250	8	1016	880	1015	1600	765	10
B 1000 - 700	290	8	1016	880	1015	1600	765	10
A 1200 - 870	200	10	1220	1070	1220	2000	1000	12
A 1200 - 870	250	10	1220	1070	1220	2000	1000	12
A 1200 - 870	310	10	1220	1070	1220	2000	1000	12
A 1200 - 870	365	10	1220	1070	1220	2000	1000	12
A 1200 - 870	420	10	1220	1070	1220	2000	1000	12
A 1200 - 870	130	12	1220	1070	1220	2000	1000	12
A 1200 - 870	190	12	1220	1070	1220	2000	1000	12
A 1200 - 870	251	12	1220	1070	1220	2000	1000	12
B 1200 - 870	250	10	1220	1070	1220	2000	1000	12
B 1200 - 870	310	10	1220	1070	1220	2000	1000	12
B 1200 - 870	365	10	1220	1070	1220	2000	1000	12
B 1200 - 870	420	10	1220	1070	1220	2000	1000	12
B 1200 - 870	470	10	1220	1070	1220	2000	1000	12
A 1500 - 1060	250	12	1525	1330	1520	2450	1460	12
A 1500 - 1060	320	12	1525	1330	1520	2450	1460	12
A 1500 - 1060	370	12	1525	1330	1520	2450	1460	12
A 1500 - 1060	410	12	1525	1330	1520	2450	1460	12
A 1500 - 1060	210	14	1525	1330	1520	2450	1460	12
A 1500 - 1060	270	14	1525	1330	1520	2450	1460	12
A 1500 - 1060	340	14	1525	1330	1520	2450	1460	12
B 1500 - 1060	370	12	1525	1330	1520	2450	1460	12
B 1500 - 1060	410	12	1525	1330	1520	2450	1460	12
A 1600 - 1060	450	12	1625	1420	1620	2450	1230	12
A 1600 - 1060	500	12	1625	1420	1620	2450	1230	12
A 1600 - 1060	560	12	1625	1420	1620	2450	1230	12
A 1600 - 1060	620	12	1625	1420	1620	2450	1230	12
B 1600 - 1060	450	12	1625	1420	1620	2450	1230	12
B 1600 - 1060	500	12	1625	1420	1620	2450	1230	12
B 1600 - 1060	560	12	1625	1420	1620	2450	1230	12
B 1600 - 1060	620	12	1625	1420	1620	2450	1230	12
B 1600 - 1060	680	12	1625	1420	1620	2450	1230	12

Size	Motor size	Number of poles	D	d ₇	d ₈	d ₉	h ₇	s ₁
A 1600 - 1060	370	14	1625	1420	1620	2450	1230	12
A 1600 - 1060	410	14	1625	1420	1620	2450	1230	12

Installation types

Overview of installation types



Scope of supply

Depending on the model, the following items are included in the scope of supply:

- Pump set complete with 10 m power cable
- O-ring
- Back-up name plate

Accessories (optional):

- Support rope
- Accessories for cable support
 - Spacer
 - Turnbuckle
 - Support spacer
 - Shackle
 - Cable clamps
- Cable support sleeves
- Flow-straightening vane to prevent floor vortices
- Discharge tube in various designs (steel or GFRP)

Accessories

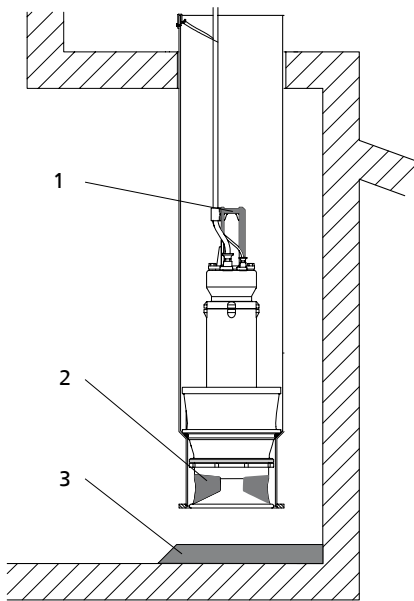
Flow-straightening vane and intake chamber

Design of the intake chamber wall surfaces (to prevent vortex formation)

The flow-straightening vane is indispensable for the inlet conditions of the pump set. It prevents the development of a submerged vortex (floor vortex) which could cause a drop in performance, for example. In addition, the floor and wall surfaces of the intake chamber should be designed as a rough concrete surface. Rough surfaces minimise the separation of boundary layers that may cause wall and floor vortices.

Flow-straightening vane and intake chamber

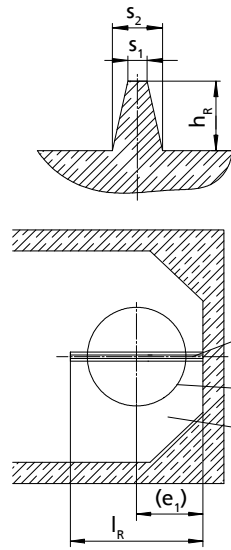
- The anti-vortex vanes in the bellmouth must be aligned with the flow-straightening vane.
- The bail of the pump is oriented in the same direction as the anti-swirl baffles in the bellmouth.



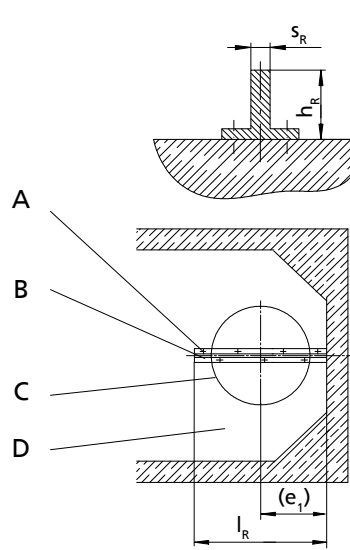
Installation position of the pump set

1	Bail
2	Anti-vortex vanes
3	Flow-straightening vane

Variant 1
 Flow-straightening vane cast from concrete

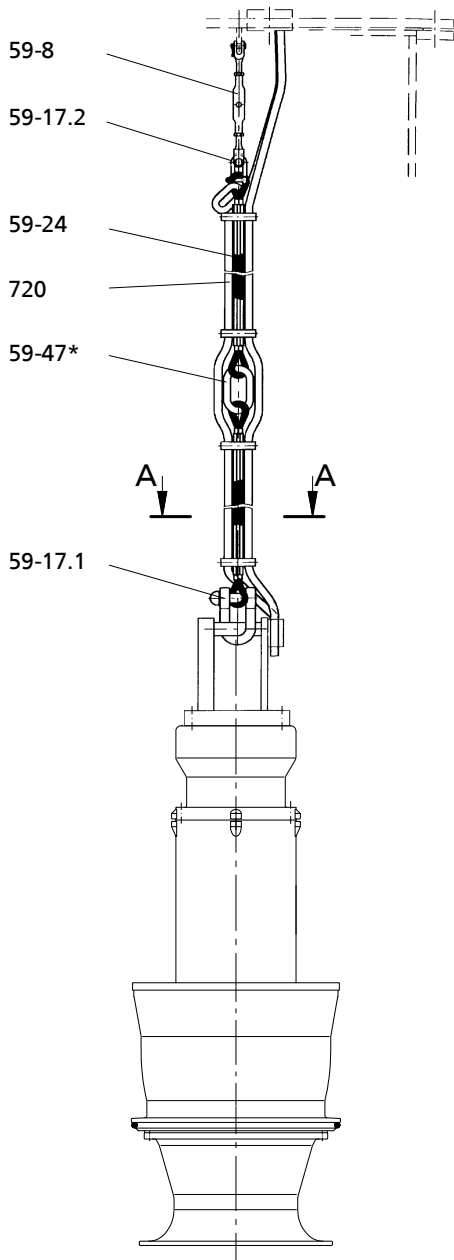


Variant 2
 Steel section

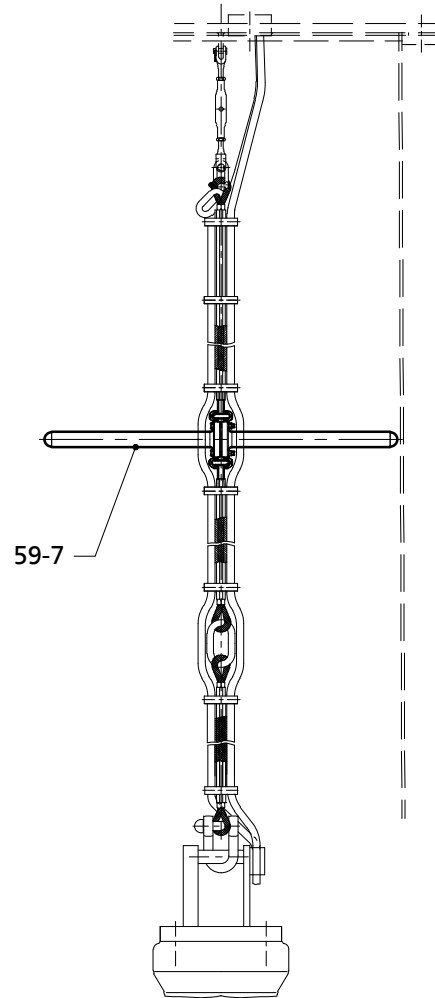


A	Bolted to the floor of the intake chamber
B	Flow-straightening vane centred beneath the discharge tube
C	Discharge tube
D	Intake chamber

Support rope and turnbuckle in the discharge tube



For large installation depths
(with support spacer)

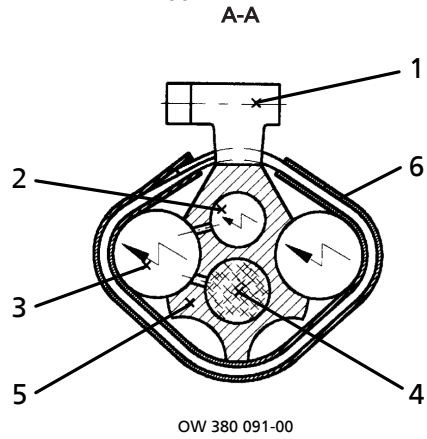


*= The number of (intermediate) lifting rings depends on the lifting height of the hoisting tackle and on the building structure. (Intermediate lifting rings are supplied as an option).

List of components

Part No.	Description	Material
59-8	Turnbuckle	Stainless steel
59-17.2	Shackle	Stainless steel
59-47	(Intermediate) lifting ring(s)	Stainless steel
59-24	Rope, low rotation design	Stainless steel
720	Spacer	EPDM
59-17.1	Shackle	Galvanised steel (stainless steel optional)
59-7	Support spacer	GFRP

Cross-section of cable support

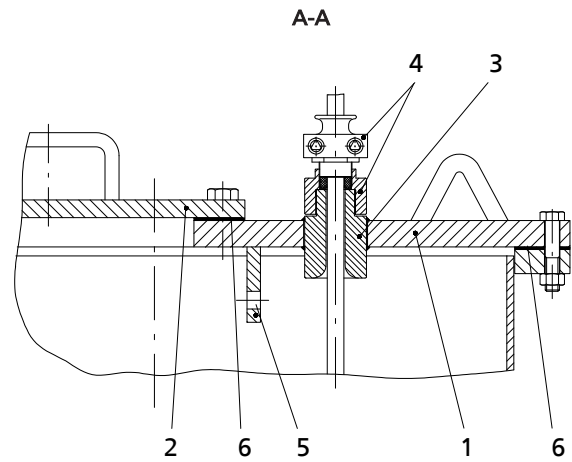
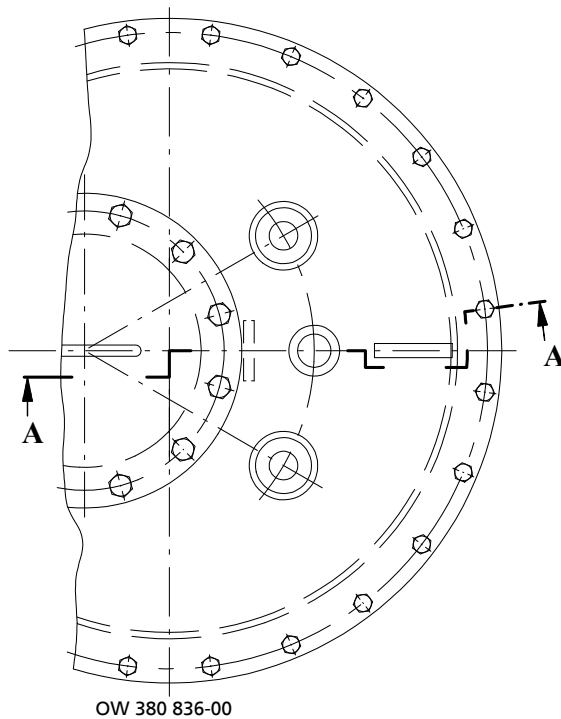


List of components

Part No.	Description	Part No.	Description
1	Cable clamp (approximately every 400 mm)	4	Support rope 59-24
2	Control cable	5	Spacer
3	Power cable	6	Clamp cover

Discharge tube cover with cable gland

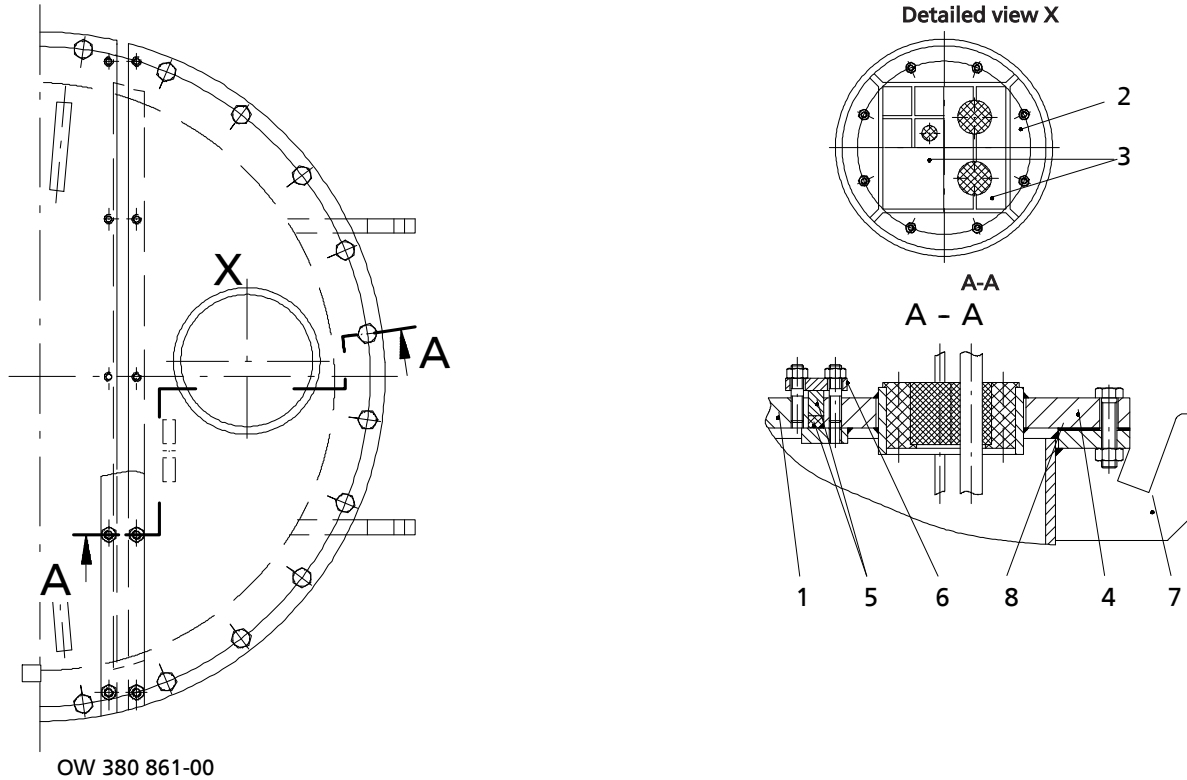
Design: with welding sleeve



List of components

Part No.	Description
1	Discharge tube cover ⁵⁰⁾
2	Cover
3	Welding sleeve
4	Threaded bush with cable entry to DIN 22419 with strain relief and protection against kinking and twisting
5	Eyeplate for fastening the cable support (support rope)
6	Gasket, e.g. rubber with fabric reinforcement

Design variant: with transit frame (up to 1 bar)



List of components

Part No.	Description
1	Discharge tube cover ⁵¹⁾
2	Transit frame (cable gland)
3	Packing and insert blocks
4	Cover segment with cable gland
5	Closed-cell profile joint in groove between the two cover parts
6	Sealing arrangement of groove between the two cover parts
7	Support brackets for cover segment with cable glands
8	Gasket (e.g. rubber with fabric reinforcement)

⁵⁰⁾ Discharge tube cover also available in split design.

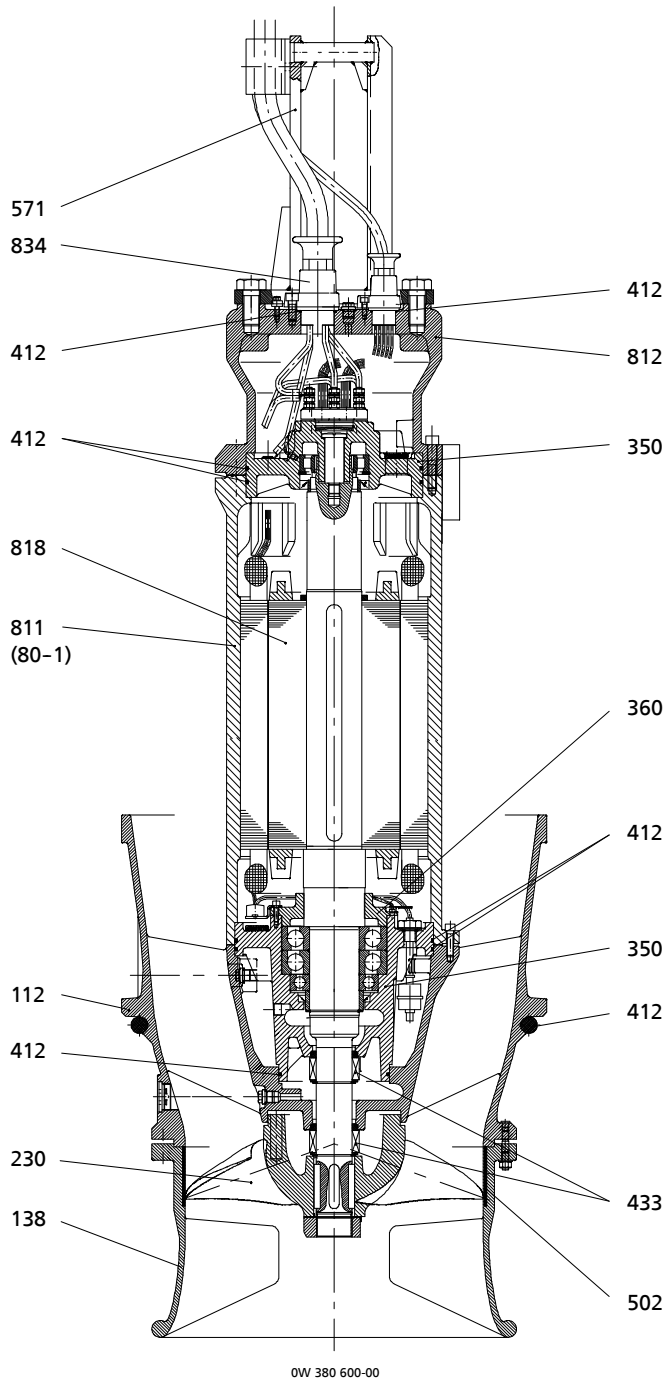
⁵¹⁾ Discharge tube cover also available in single-piece design.

General assembly drawings

Amacan P 500-270

Amacan P 600-350

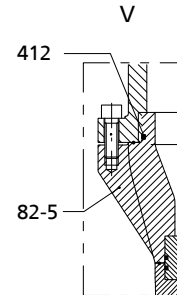
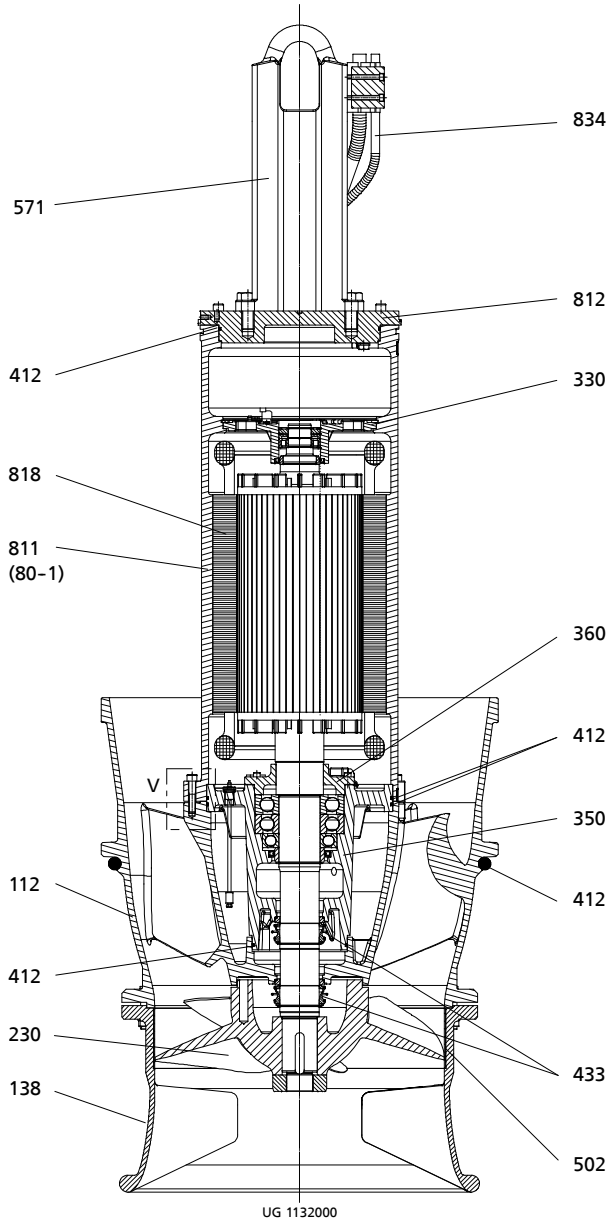
Motor version: UAG/XAG



List of components

Part No.	Description	Part No.	Description
112	Pump bowl	502	Casing wear ring
138	Bellmouth	571	Bail
230	Impeller	811	Motor housing
350	Bearing housing	812	Motor housing cover
360	Bearing cover	818	Shaft (rotor)
412	O-ring	834	Cable gland
433	Mechanical seal	-	-

Amacan P 700-470
 Amacan P 800-540
 Amacan P 900-540
 Amacan P 1000-700
 Amacan P 1200-870
 Amacan P 1500-1600
 Amacan P 1600-1060
 Motor version: UTG/XTG



List of components

Part No.	Description	Part No.	Description
112	Pump bowl	502	Casing wear ring
138	Bellmouth	571	Bail
230	Impeller	811	Motor housing
330	Bearing bracket	812	Motor housing cover
350	Bearing housing	82-5	Adapter
360	Bearing cover	818	Shaft (rotor)
412	O-ring	834	Cable gland
433	Mechanical seal	-	-



KSB Aktiengesellschaft

P.O. Box 200743 • 06008 Halle (Saale) • Turmstraße 92 • 06110 Halle (Germany)

Tel. +49 345 4826-0 • Fax +49 345 4826-4699

www.ksb.com

23.05.2013

1580.5/12-EN