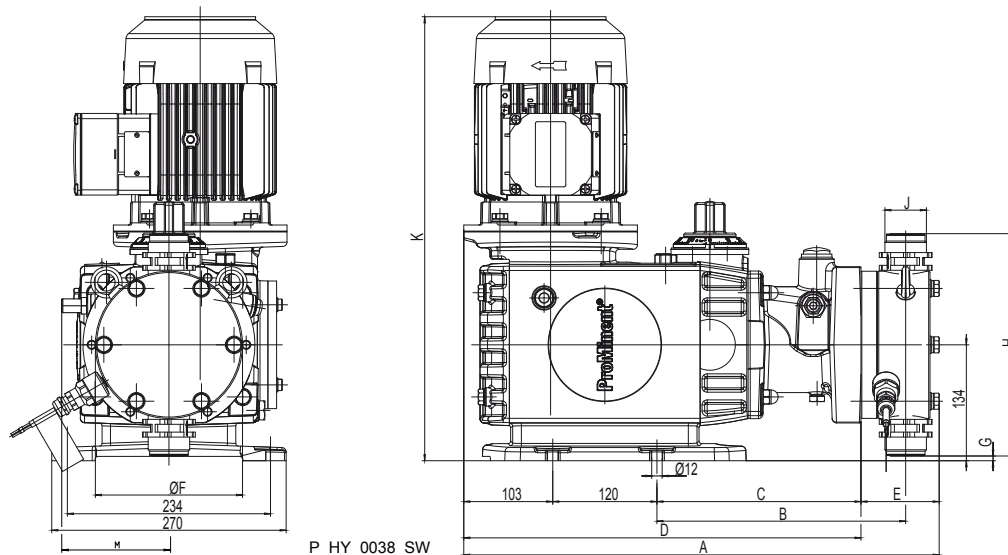


# 1 Dimensions



- Compare the dimensions on the dimension sheet and pump.
- All dimensions are in mm.

## Dimension sheet for Hydro HP4 (HP4a single head pump)



P\_HY\_0038\_SW

Fig. 1: Illustration not strictly binding.

Liquid end	Type	250130	160210	100330	070465
		250190	160300	100480	070670
		250250	160400	100635	070890
		250350	160550	100880	071230
		250400	160625	101000	071400
A	SS/HC	548	553	583	593
A	PV	558	563	596	605
B	SS/HC/PV	287	288	316	322
C	SS/HC/PV	235	235	255	255
D	SS/HC/PV	458	458	478	478
E	SS/HC	90	95	106	116
E	PV	100	105	119	126
ØF	SS/HC/PV	170	198	226	249
G	SS/HC/PV	6	-9	-29	-58
H	SS/HC/PV	256	284	324	382

## Dimensions

Liquid end	Type	250130	160210	100330	070465
		250190	160300	100480	070670
		250250	160400	100635	070890
		250350	160550	100880	071230
		250400	160625	101000	071400
J	SS/HC/PV	DN25, G1 1/2	DN25, G1 1/2	DN32, G2	DN40, G2 1/4
M	-	120	120	189	189

	Standard motor	Exe motor	Exde motor	Motor with frequency converter	Exde motor with frequency converter	Motor, controllable
K	544	505	603	854	636	545

### Dimension sheet for Hydro HP4 (HP4a double head pump)..

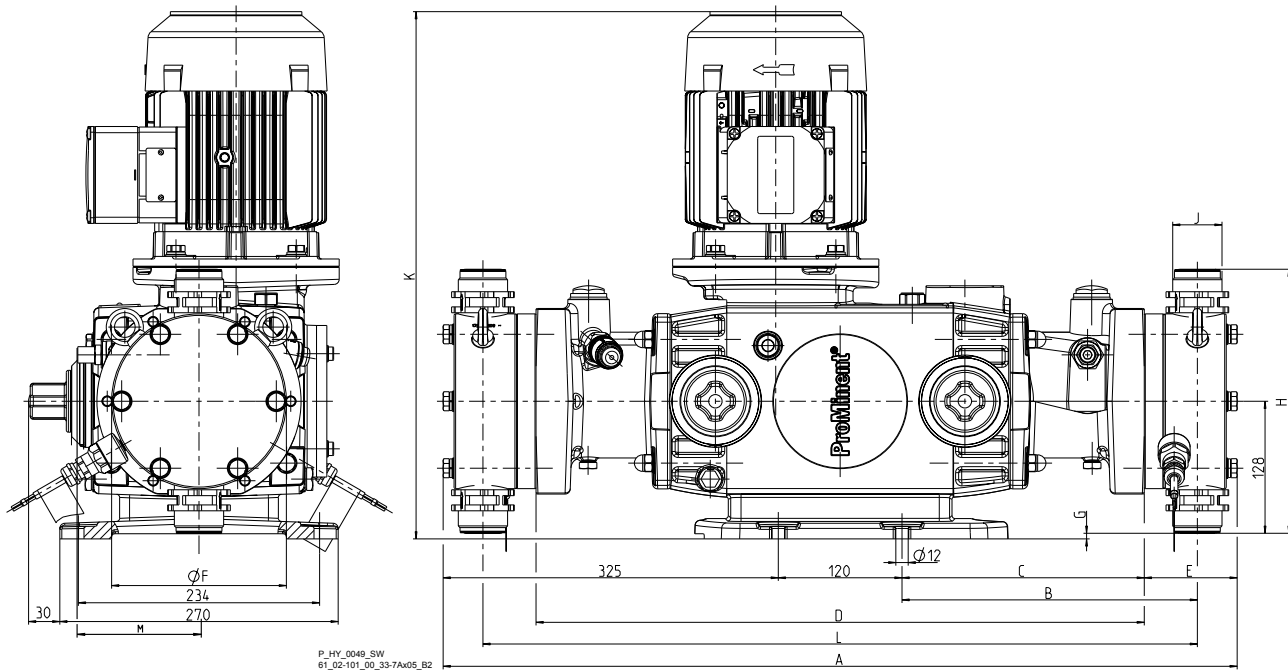


Fig. 2: Illustration not strictly binding.

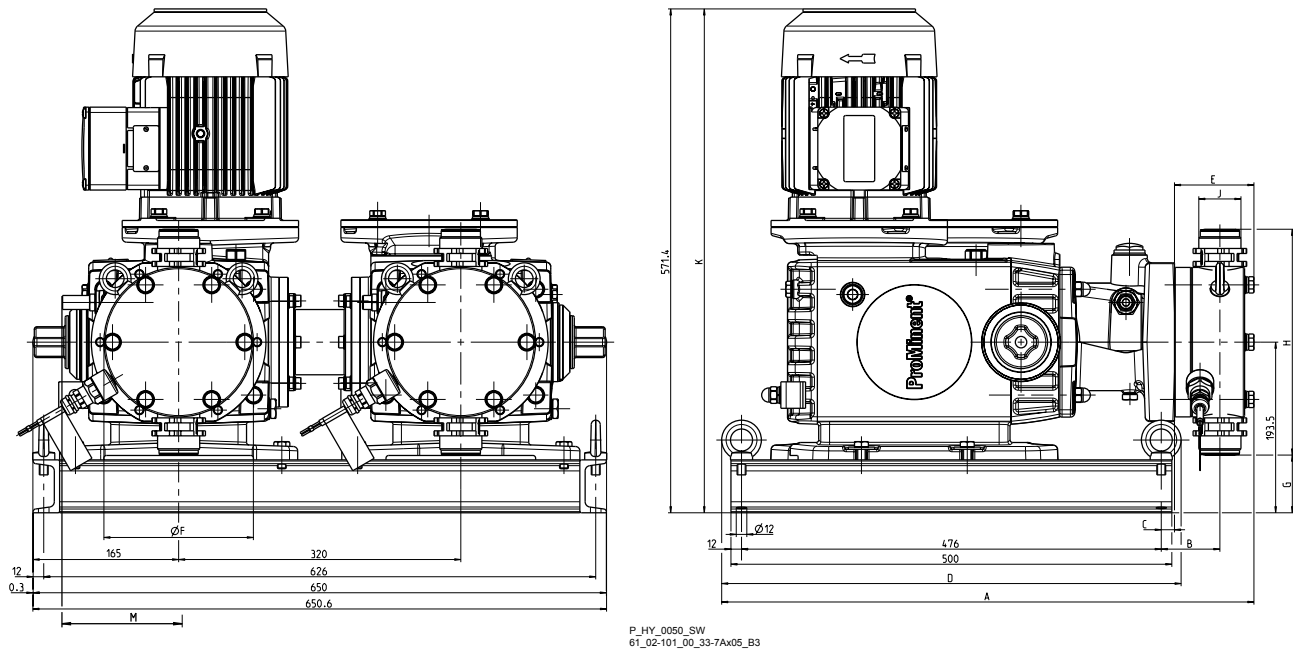
Liquid end	Type	250130	160210	100330	070465
		250190	160300	100480	070670
		250250	160400	100635	070890
		250350	160550	100880	071230
		250400	160625	101000	071400
A	SS/HC	770	780	841	861
A	PV	780	790	854	873
B	SS/HC/PV	287	288	316	322
C	SS/HC/PV	235	235	255	255

Liquid end	Type	250130	160210	100330	070465
		250190	160300	100480	070670
		250250	160400	100635	070890
		250350	160550	100880	071230
		250400	160625	101000	071400
		D	SS/HC/PV	590	590
E	SS/HC	90	95	106	116
E	PV	100	105	119	128
F	SS/HC/PV	170	198	226	249
G	SS/HC/PV	6	-9	-29	-58
H	SS/HC/PV	256	284	324	382
J	-	DN25, G1 1/2	DN25, G1 1/2	DN32, G2	DN40, G2 1/4
L	-	693	696	752	764
M	-	120	120	189	189

	Standard motor	Exe motor	Exde motor	Motor with frequency converter	Exde motor with frequency converter	Motor, controllable
K	544	505	603	854	636	545

Dimensions

Dimension sheet Hydro HP4 (duplex single head pump)



P\_HY\_0050\_SW  
61\_02-101\_00\_33-7Ax05\_B3

Fig. 3: Illustration not strictly binding.

Liquid end	Type	250130	160210	100330	070465
		250190	160300	100480	070670
		250250	160400	100635	070890
		250350	160550	100880	071230
		250400	160625	101000	071400
A	SS/HC	604	609	639	649
A	PV	614	619	652	661
B	SS/HC/PV	67	68	96	102
C	SS/HC/PV	15	15	35	35
D	SS/HC/PV	521	521	534	534
E	SS/HC	90	95	106	116
E	PV	100	105	119	128
F	SS/HC/PV	170	198	226	249
G	SS/HC/PV	66	51	31	2
H	SS/HC/PV	256	284	324	382
J	-	DN25, G1 1/2	DN25, G1 1/2	DN32, G2	DN40, G2 1/4
M	-	120	120	189	189

	Standard motor	Exe motor	Exde motor	Motor with frequency converter	Exde frequency converter motor	Motor, controllable
K	604	565	663	914	696	605



### Dimension sheet for Hydro HP4 (HP4a duplex double head pump)

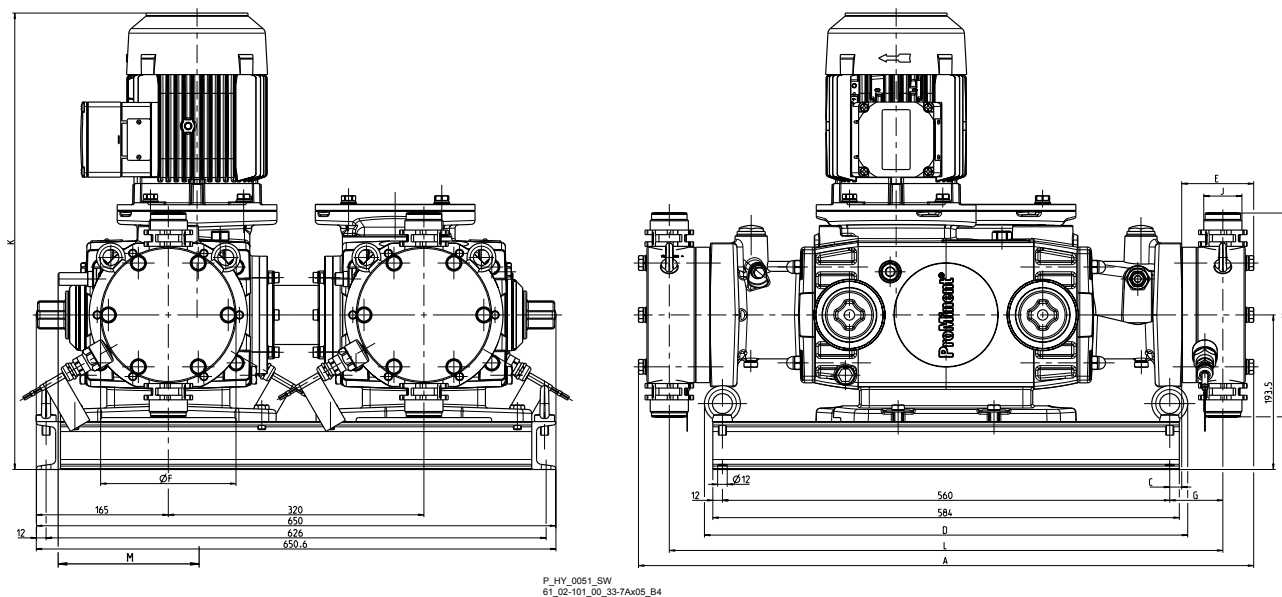


Fig. 4: Illustration not strictly binding.

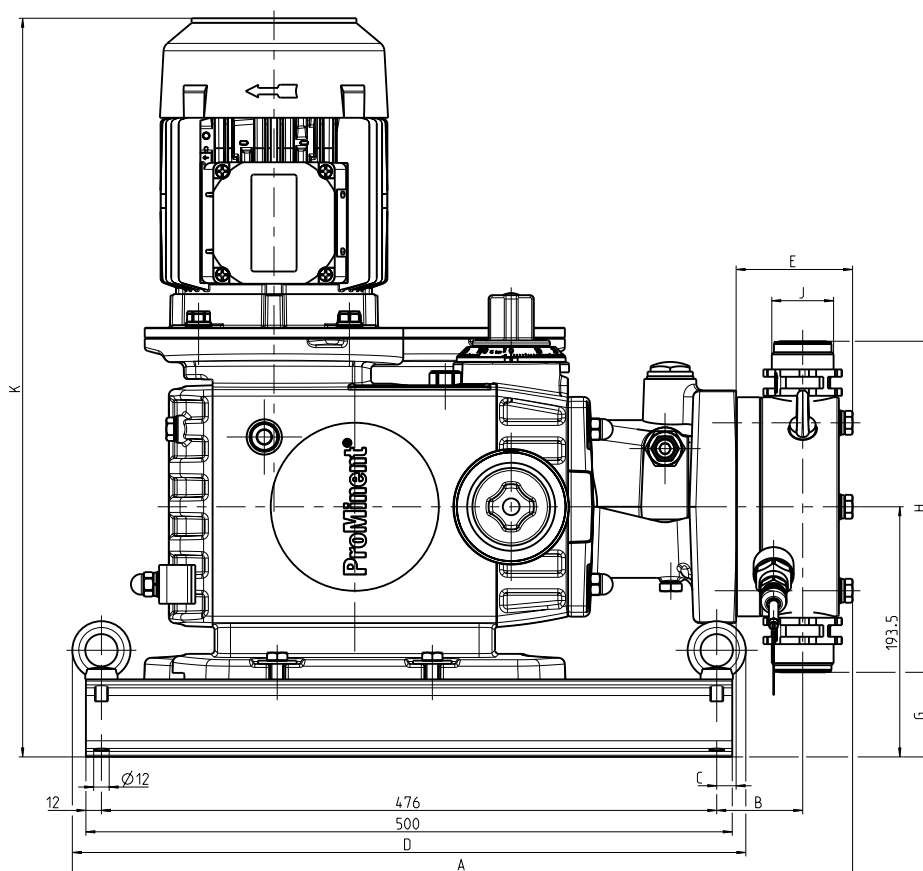
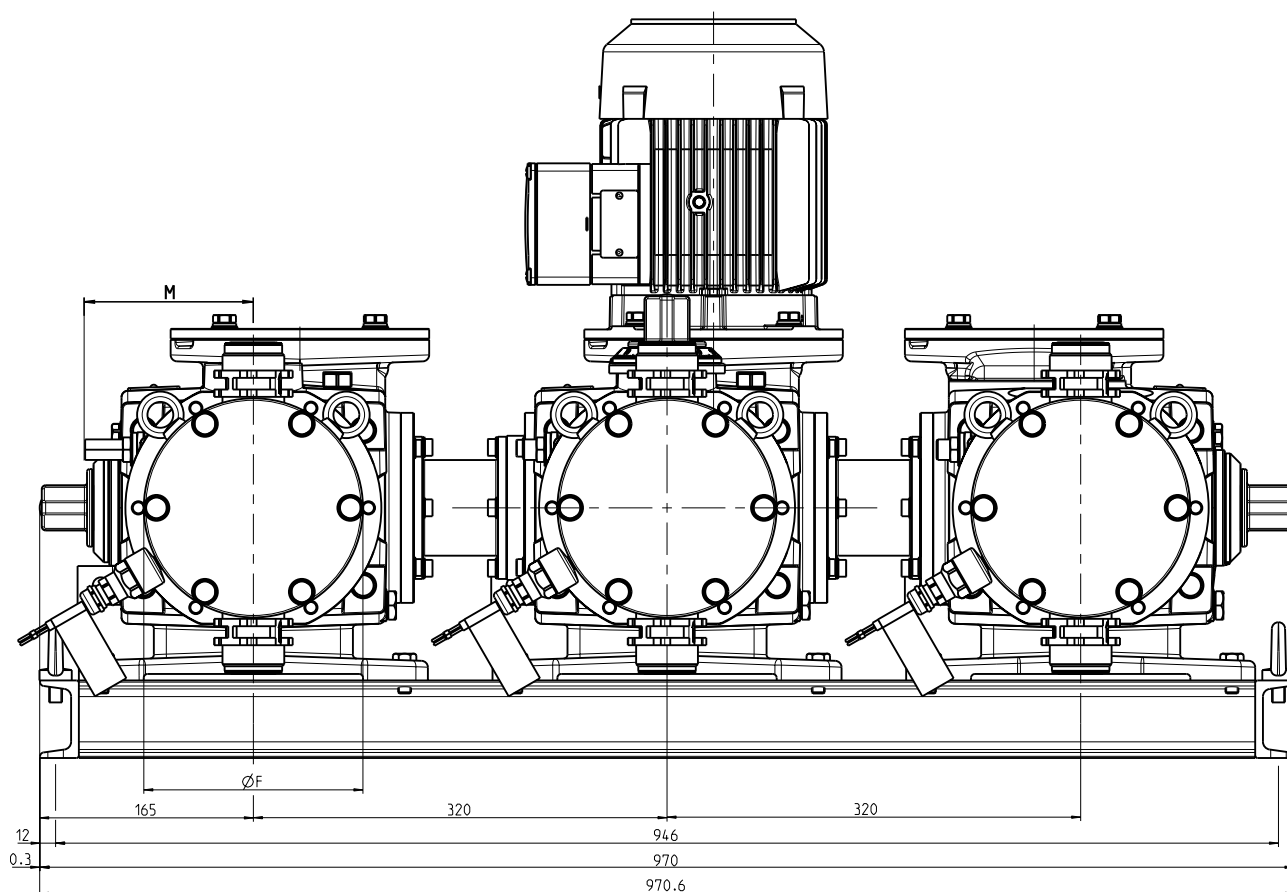
Liquid end	Type	250130	160210	100330	070465
		250190	160300	100480	070670
		250250	160400	100635	070890
		250350	160550	100880	071230
		250400	160625	101000	071400
A	SS/HC	770	780	841	861
A	PV	780	790	854	873
B	SS/HC/PV	287	288	316	322
C	SS/HC/PV	235	235	255	255
D	SS/HC/PV	590	590	630	630
E	SS/HC	90	95	106	116
E	PV	100	105	119	128
F	SS/HC/PV	170	198	226	249
G	SS/HC/PV	6	-9	-29	-58
H	SS/HC/PV	256	284	324	382
J	Valve	DN25, G1 1/2	DN25, G1 1/2	DN32, G2	DN40, G2 1/4
L	-	693	696	752	764
M	-	120	120	189	189

	Standard motor	Exe motor	Exde motor	Motor with frequency converter	Exde frequency converter motor	Motor, controllable
K	544	505	603	854	636	545

## Dimensions

---

Dimension sheet for Hydro HP4  
(HP4a triplex pump)



P\_HY\_0052\_SW  
61\_02-101\_00\_33-7Ax05\_B5

Fig. 5: Illustration not strictly binding.

---

**Dimensions**


---

Liquid end	Type	250130	160210	100330	070465
		250190	160300	100480	070670
		250250	160400	100635	070890
		250350	160550	100880	071230
		250400	160625	101000	071400
A	SS/HC	604	609	639	649
A	PV	614	619	652	661
B	SS/HC/PV	67	68	96	102
C	SS/HC/PV	15	15	35	35
D	SS/HC/PV	521	521	534	534
E	SS/HC	90	95	106	116
E	PV	100	105	119	128
F	SS/HC/PV	170	198	226	249
G	SS/HC/PV	66	51	31	2
H	SS/HC/PV	256	284	324	382
J	SS/HC/PV	DN25, G1 1/2	DN25, G1 1/2	DN32, G2	DN40, G2 1/4
M	-	120	120	189	189

	Standard motor	Exe motor	Exde motor	Motor with frequency converter	Exde frequency converter motor	Motor, controllable
K	604	565	663	914	696	605

Dimension sheet for Hydro HP4  
(HP4a with ATEX FC)

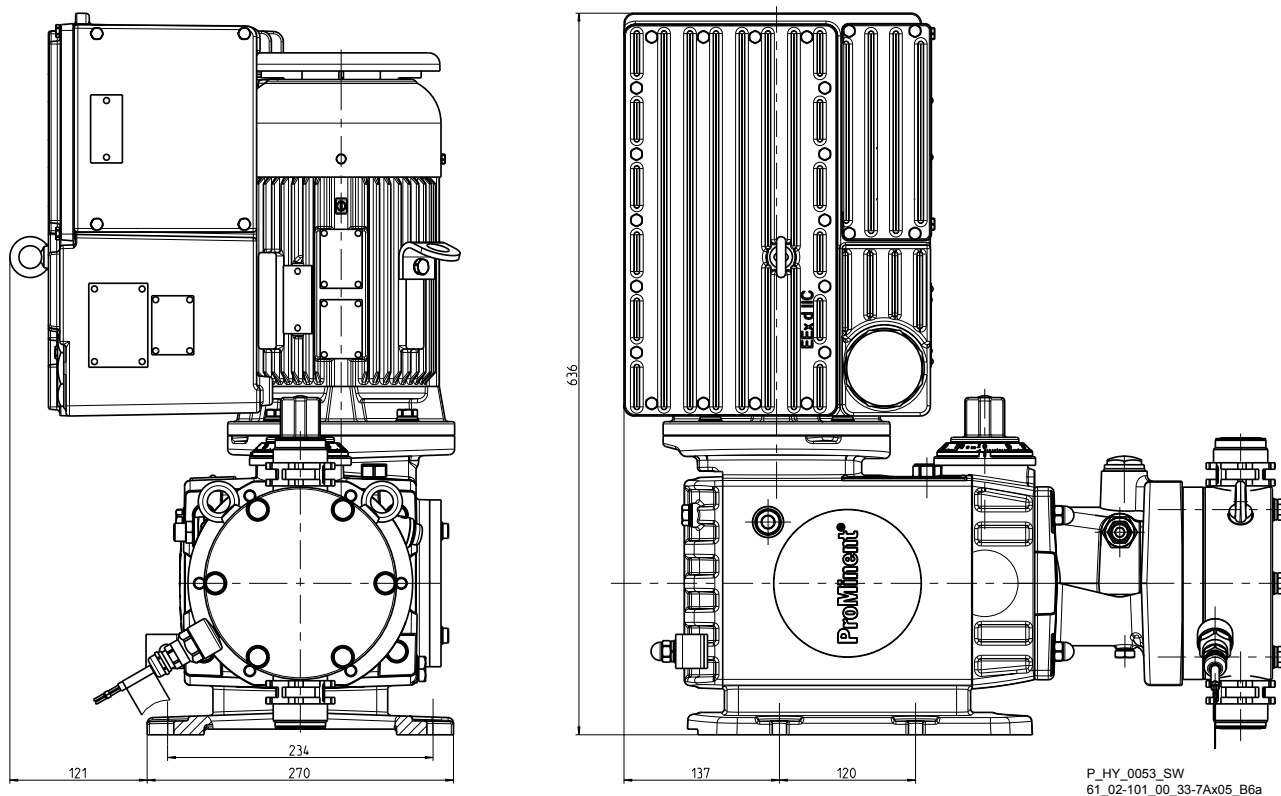
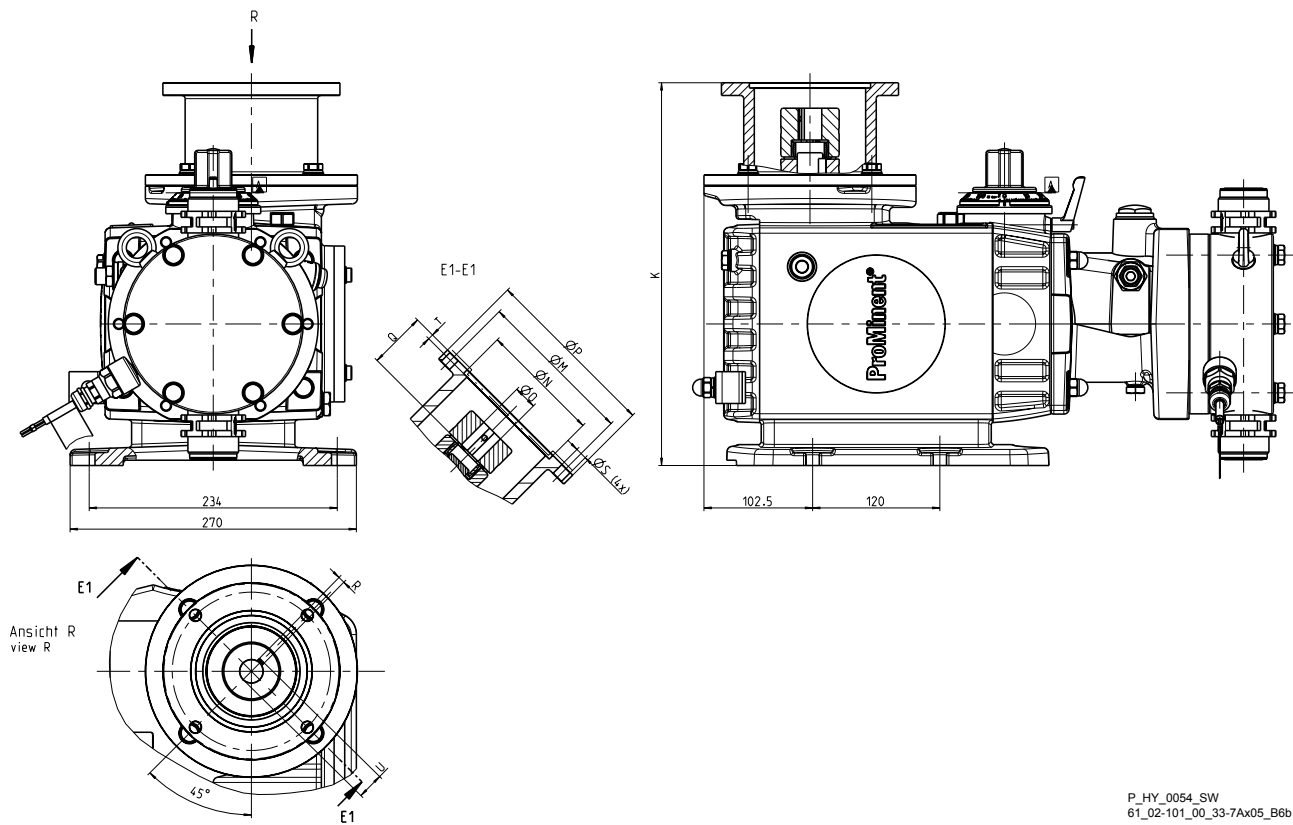


Fig. 6: Illustration not strictly binding.

Dimensions

Dimension sheet for Hydro HP4  
(HP4a without motor with motor flange)

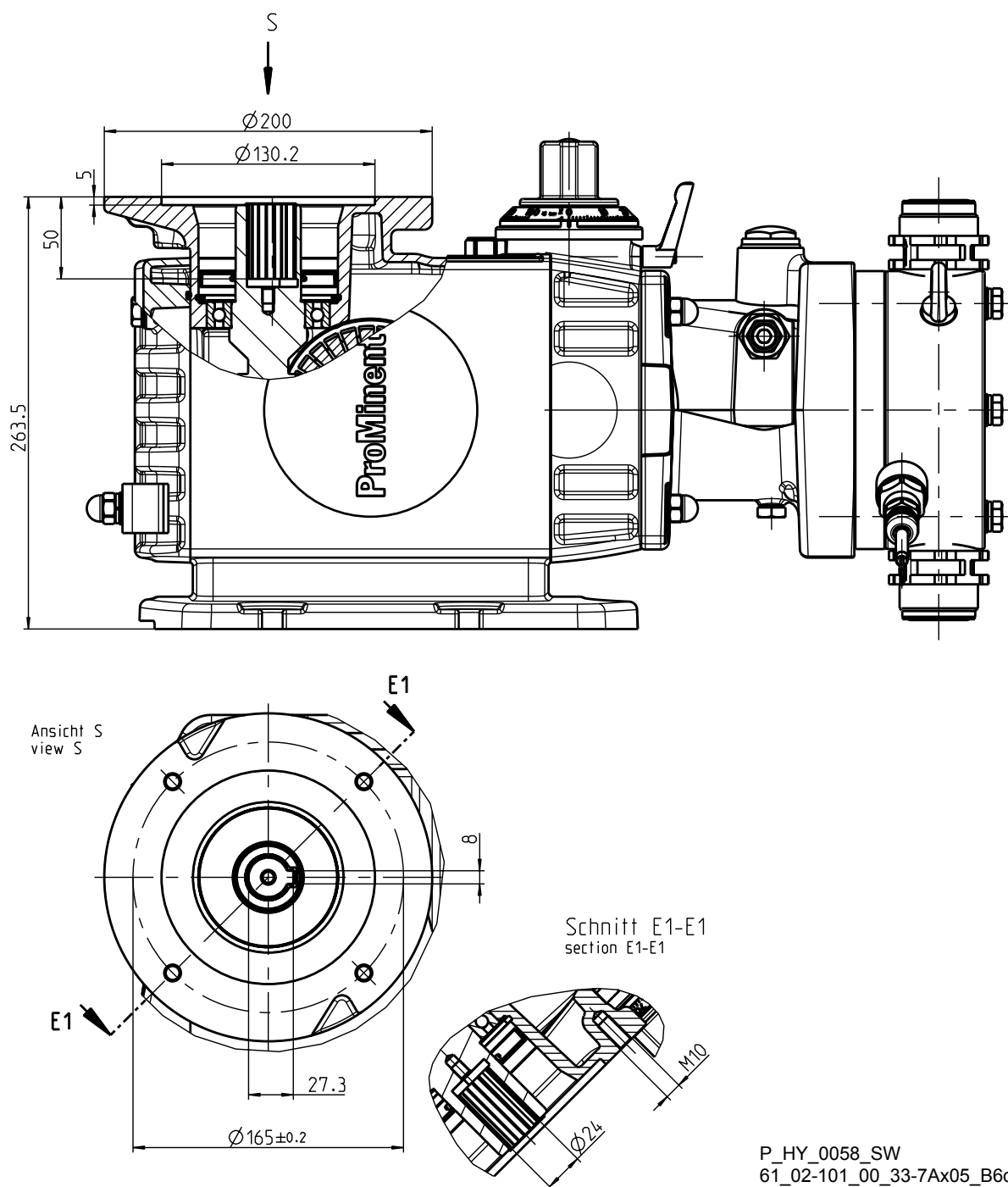


P\_HY\_0054\_SW  
61\_02-101\_00\_33-7Ax05\_B6b

Fig. 7: Illustration not strictly binding.

Size	Motor flange	P	M	N	S	U	Q	T	R	U	K
	143	6.575"	5.875"	4.5"	0.433"	0.875"	2-1/8"	0.197"	3/16"	0.964"	14.21"
	145TC	167	149.23	(H7) 114.3 (H7)	11	22.23	53,975	5	4.7625	24.49	361
100	B5/250	250	215	180 (H7)	15	28	60	5	8	31.3	367

Dimension sheet for Hydro HP4  
(HP4a without motor without motor  
flange)

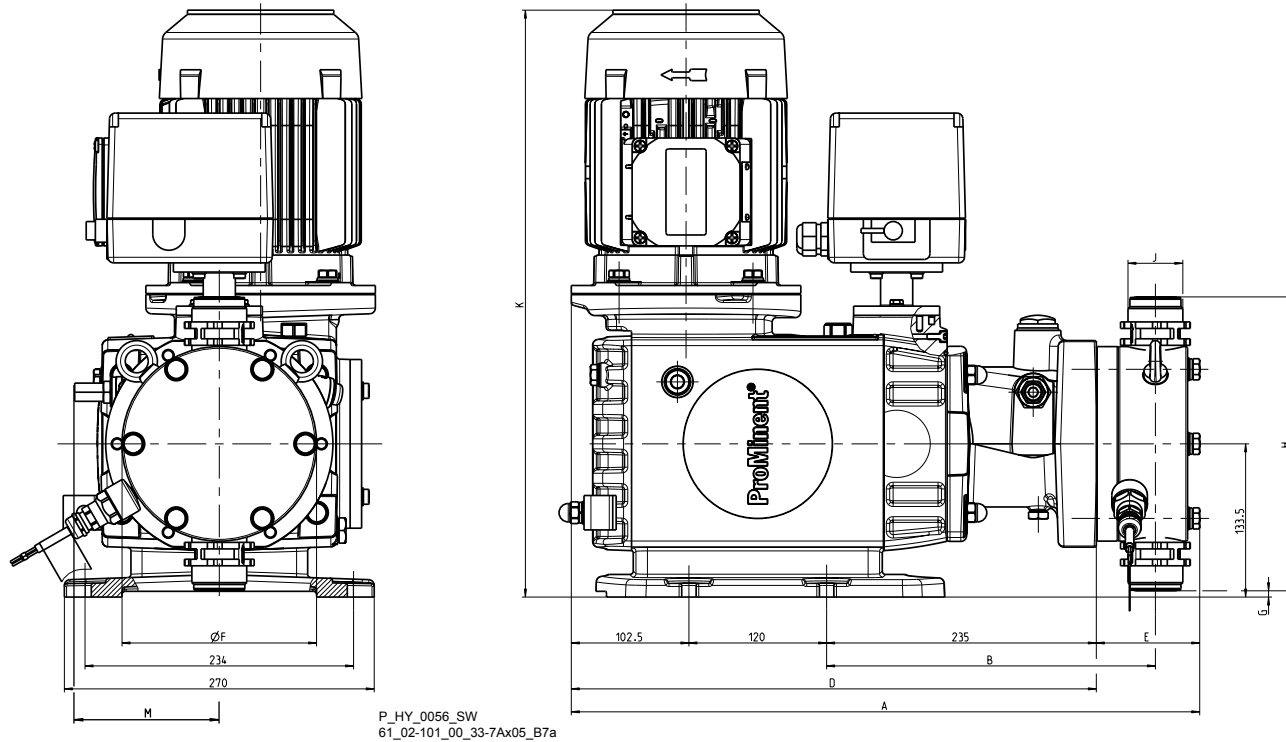


P\_HY\_0058\_SW  
61\_02-101\_00\_33-7Ax05\_B6c

Fig. 8: Illustration not strictly binding.

Dimensions

Dimension sheet for Hydro HP4  
(HP4a single pump with servomotor)



P\_HY\_0056\_SW  
61\_02-101\_00\_33-7Ax05\_B7a

Fig. 9: Illustration not strictly binding.

Liquid end	Type	250130	160210	100330	070465
		250190	160300	100480	070670
		250250	160400	100635	070890
		250350	160550	100880	071230
		250400	160625	101000	071400
A	SS/HC	548	553	583	593
A	PV	558	563	596	605
B	SS/HC/PV	287	288	316	322
C	SS/HC/PV	235	235	255	255
D	SS/HC/PV	458	458	478	478
E	SS/HC	90	95	106	116
E	PV	100	105	119	128
ØF	SS/HC/PV	170	198	226	249
G	SS/HC/PV	6	-9	-29	-58
H	SS/HC/PV	256	284	324	382
J	SS/HC/PV	DN25, G1 1/2	DN25, G1 1/2	DN32, G2	DN40, G2 1/4
M	-	120	120	189	189



---

	Standard motor	Exe motor	Exde motor	Motor with frequency converter	Exde frequency converter motor	Motor, controllable
K	544	505	603	854	636	545

Dimensions

Dimension sheet for Hydro HP4  
(HP4a double pump with servomotor)

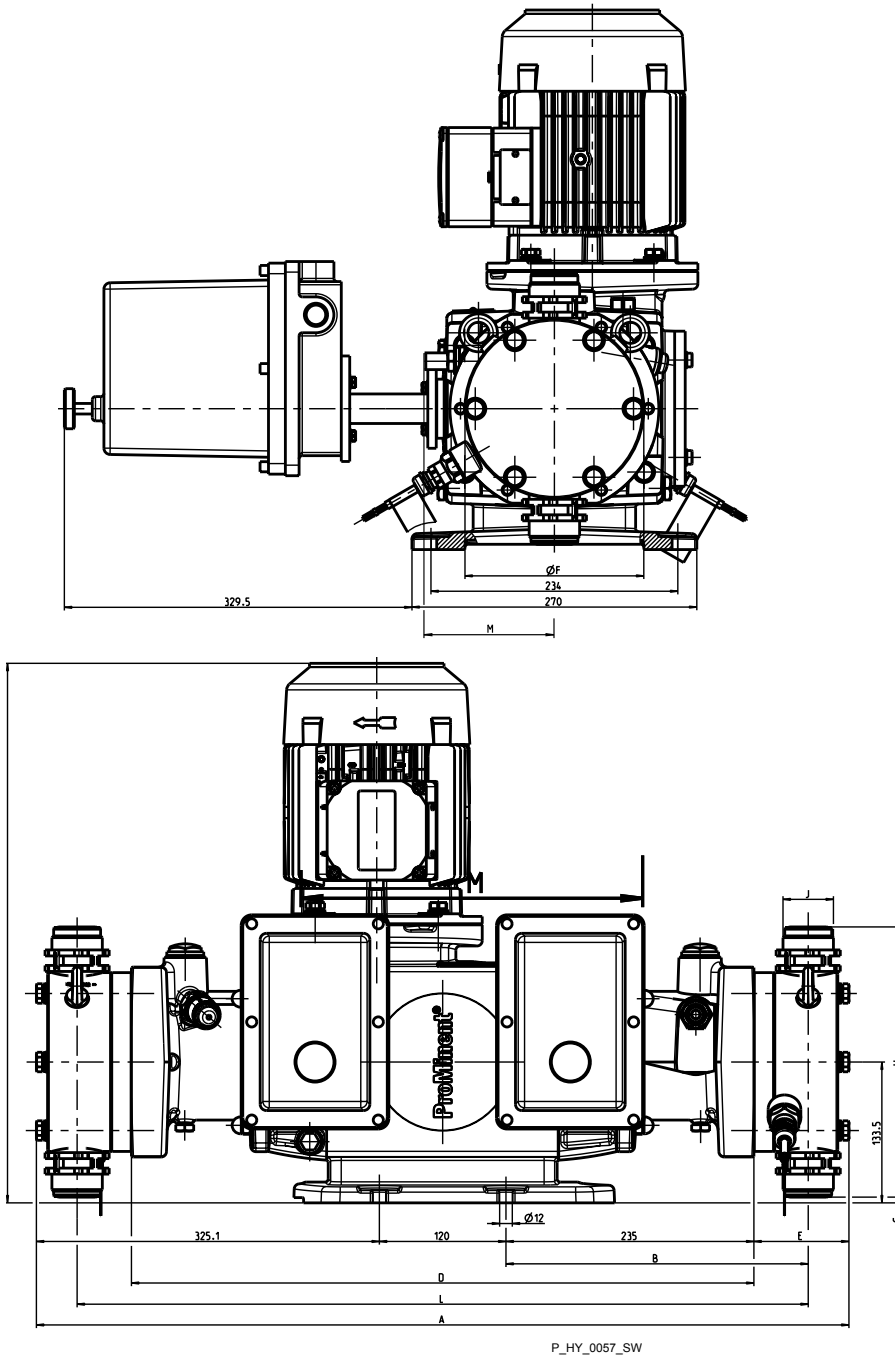


Fig. 10: Illustration not strictly binding.

Liquid end	Type	250130	160210	100330	070465
		250190	160300	100480	070670
		250250	160400	100635	070890
		250350	160550	100880	071230
		250400	160625	101000	071400
A	SS/HC	770	780	841	861
A	PV	780	790	854	873

## Dimensions

Liquid end	Type	250130	160210	100330	070465
		250190	160300	100480	070670
		250250	160400	100635	070890
		250350	160550	100880	071230
		250400	160625	101000	071400
B	SS/HC/PV	287	288	316	322
C	SS/HC/PV	235	235	255	255
D	SS/HC/PV	590	590	630	630
E	SS/HC	90	95	106	116
E	PV	100	105	119	128
F	SS/HC/PV	170	198	226	249
G	SS/HC/PV	6	-9	-29	-58
H	SS/HC/PV	256	284	324	382
J	Valve	DN25, G1 1/2	DN25, G1 1/2	DN32, G2	DN40, G2 1/4
L		693	696	752	764
M	-	120	120	189	189

	Standard motor	Exe motor	Exde motor	Motor with frequency converter	Exde frequency converter motor	Motor, controllable
K	544	505	603	854	636	545

Dimensions

Dimension sheet for Hydro HP4  
(HP4a with heating cartridge)

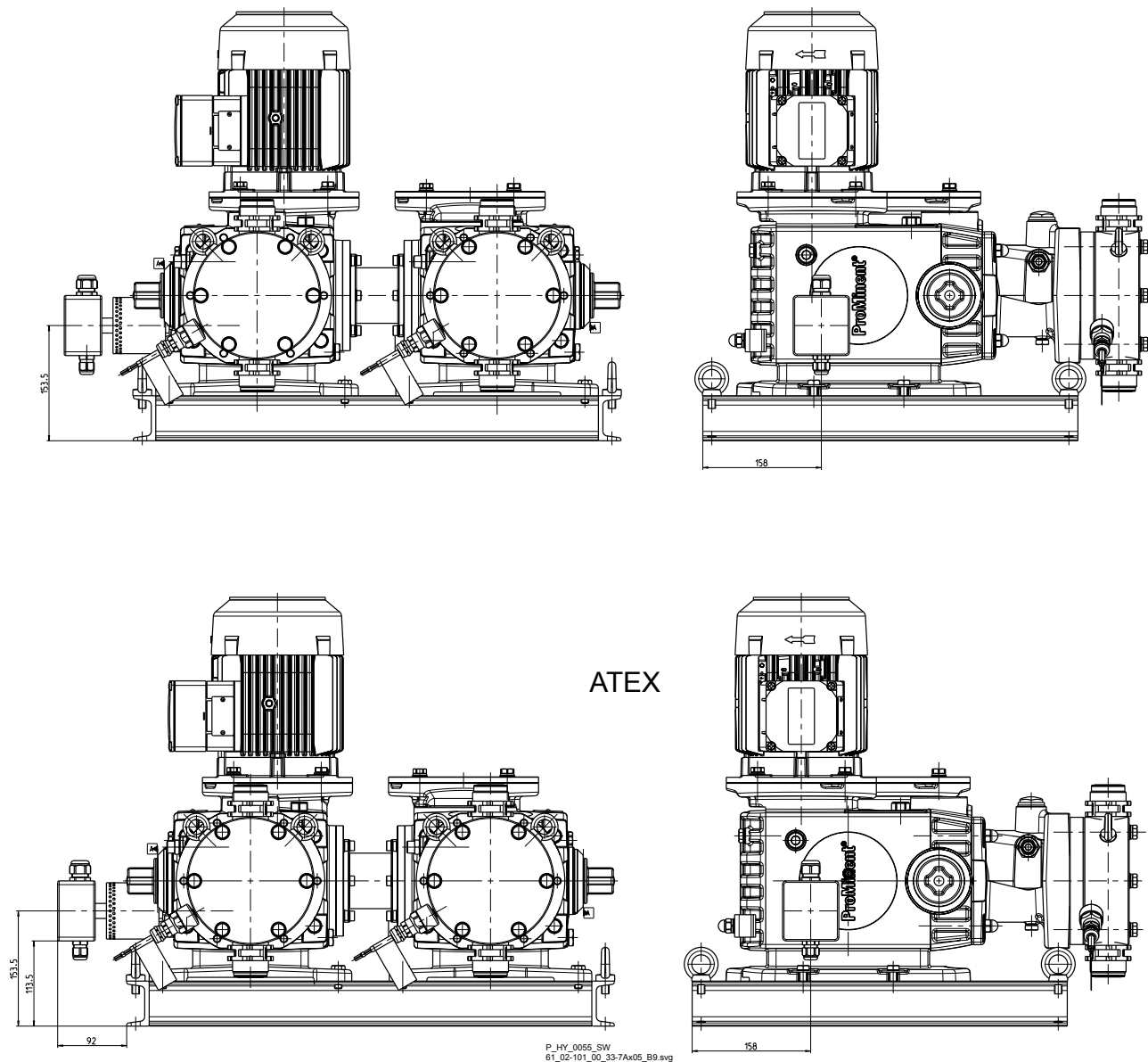


Fig. 11: Illustration not strictly binding.

" " -  
[www.promhimtech.ru](http://www.promhimtech.ru) / [zakaz@promhimtech.ru](mailto:zakaz@promhimtech.ru)

ProMinent