

1 Dimensions sheets

Dimension sheet Sigma/ 3, S3Ba

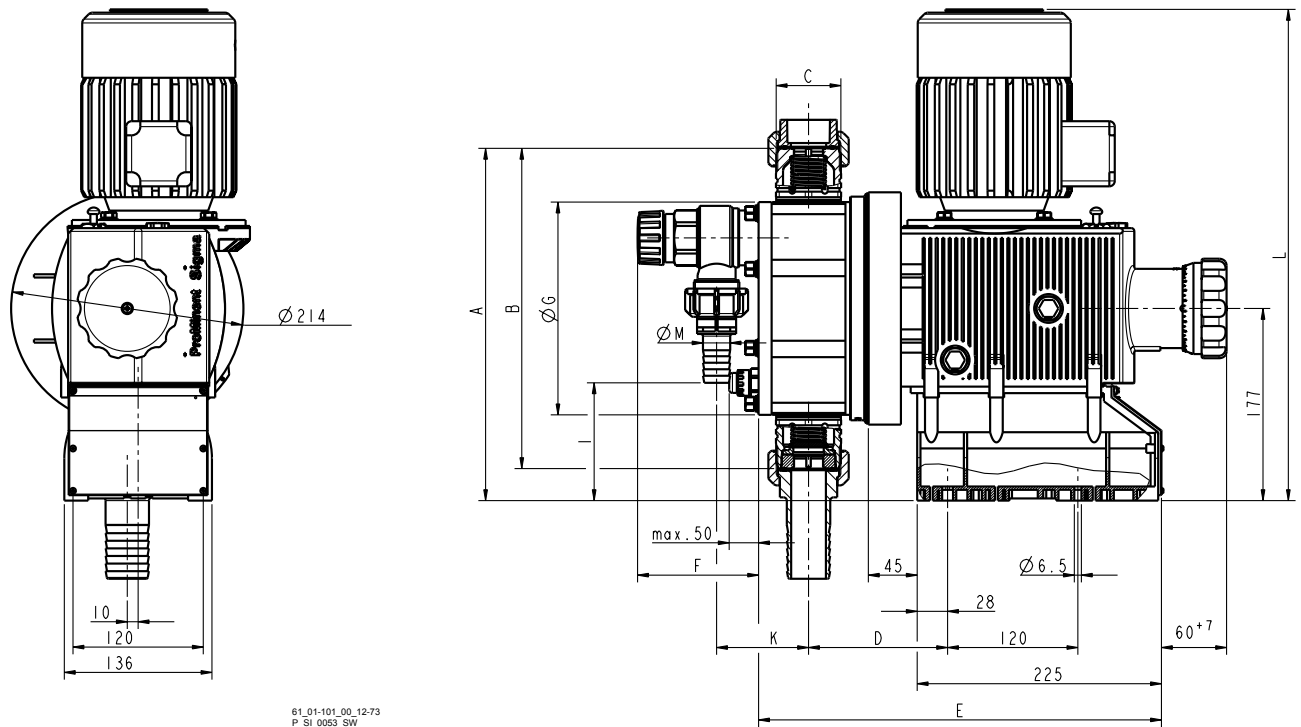


Fig. 1: Dimension sheet Sigma/ 3, S3Ba - dimensions in mm

Typ	Anschluß connection	A	B	C	D	E	F	ØG	+ ++		K
									I		
Sigma 120145, 120190, 120270, 120330 PVT	DN 25	296	237	G 1 1/2 A	122	358	74	156	140	166	64
Sigma 120145, 120190, 120270, 120330 SST	DN 25	295	236	G 1 1/2 A	122	349	88	156	147	—	60
Sigma 070410, 070580, 040830, 041030 PVT, PPT, PCT	DN 32	326	298	G 2 A	128	371	112	206	108	160	85
Sigma 070410, 070580, 040830, 041030 SST	DN 32	329	304	G 2 A	128	358	120	206	146	—	70

+ Tube nozzle

++ Insert

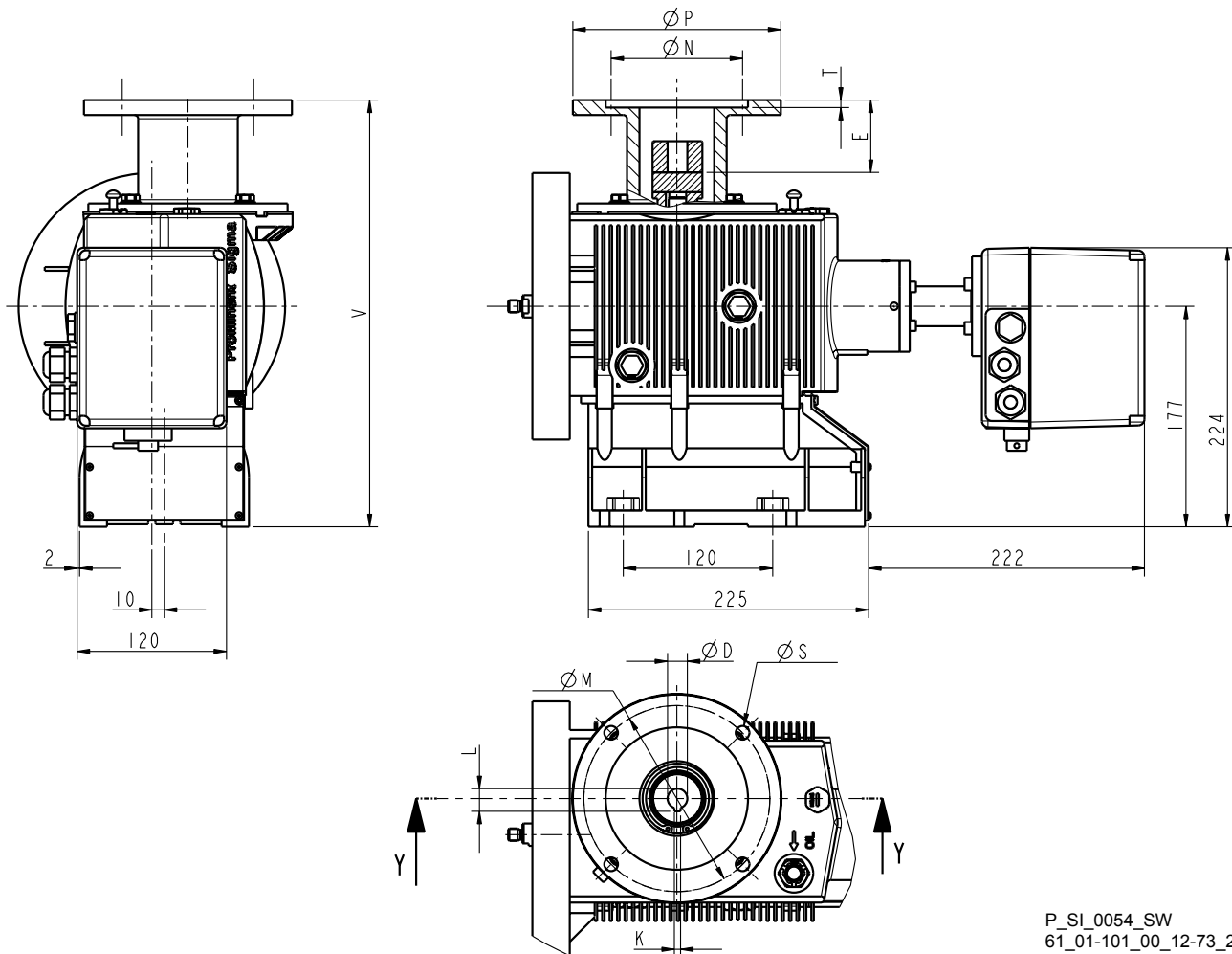
	Standard motor	Motor, controllable	EExe motor	EExde motor	Motor with frequency converter	1 ph. motor
L	463	602	445	514	651	505

	$\varnothing M^*$	$\varnothing M^{**}$	M
DN10-PVA / PVE	16	21.4	G 3/4 A
DN10-SSA / SSE	16	-	G 3/4
DN20-PVA / PVE	25	35.5	G 1 1/4 A
DN20-SSA / SSE	25	-	G 1

* Tube nozzle and union nut

** Insert and union nut

Dimension sheet Sigma/ 3, S3Ba, motor flange



P_SL_0054_SW
61_01-101_00_12-73_2

Fig. 2: Dimensional drawing Sigma/ 3, S3Ba with motor flange - dimensions in mm

Br. Sz.	Motorflansch motor flange	$\varnothing P$	$\varnothing M$	$\varnothing N$	$\varnothing S$	$\varnothing D$	T	E	K	L	V
80	B 14/200	200	165	130	11	19	6	51,5	6	21,8	328
	56 C	6.57"	5.88"	4.5"	0.04"	6.25"	0.24"	2.22"	0.2"	0.72"	13.5"
71	B 5/160 *	160	130	110	11,8	14	4	35	5	16,3	253

* Direct mounting on the housing without a connection flange

"

" _

ProMinent

www.promhimtech.ru / zakaz@promhimtech.ru