

1 Dimensional drawings

Dimensional drawing Sigma SCKa

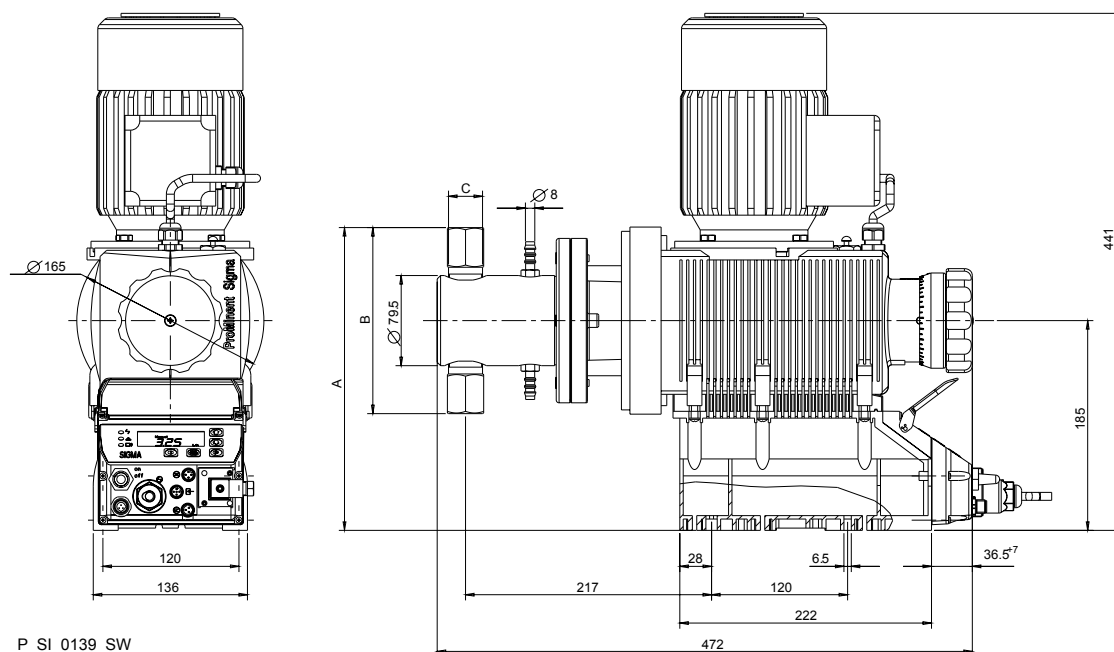


Fig. 1: Dimensional drawing Sigma SCKa - dimensions in mm

Type	Liquid end	A	B	C
32002, 23004, 10006	FK 08	267	164	Rp 1/4 (DN8)
14006, 10011, 05016	FK 12.5	267	164	Rp 1/4 (DN8)
07012, 04522, 02534	FK 25	267	164	Rp 1/4 (DN8)
04022, 02541, 01264	FK 50	274	178	Rp 3/8 (DN10)