





## gamma/ L Dimensions

### PVDF material version

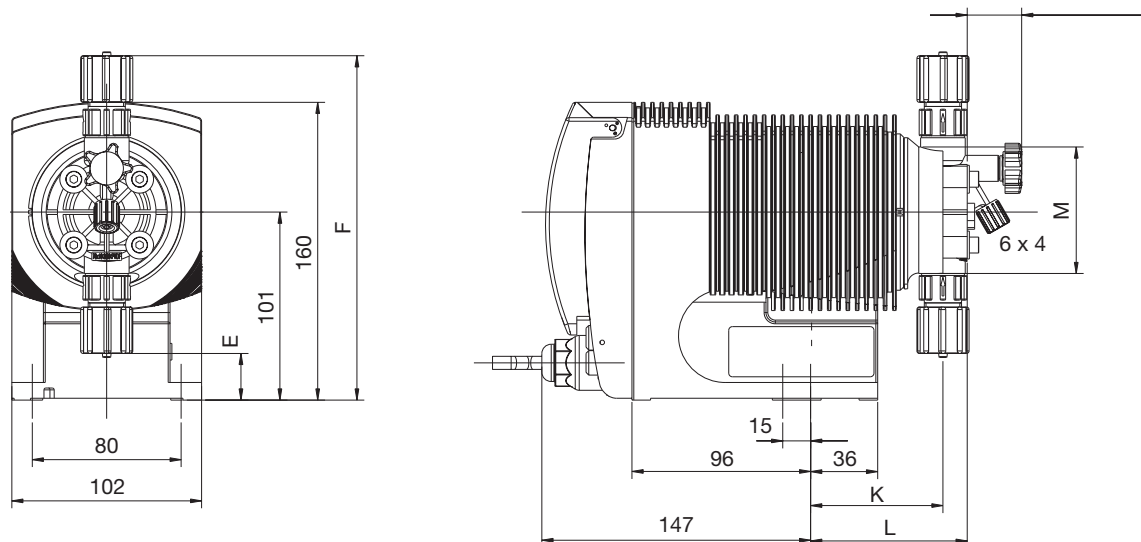


Fig. 27

Dimensions in mm

	gamma/ L M70				gamma/ L M85			
	1000-1602	1005	0708-0413	0220	1605	0408-0713	0420	0232
<b>E</b>	25	14	14	14	14	14	14	4
<b>F</b>	185	191	191	191	191	191	191	198
<b>K</b>	71	71	73	75	71	73	75	76
<b>L</b>	84	88	90	92	88	90	92	93
<b>M</b>	Ø 70	Ø 90	Ø 90	Ø 90	Ø 90	Ø 90	Ø 90	Ø 110

### TTT material version

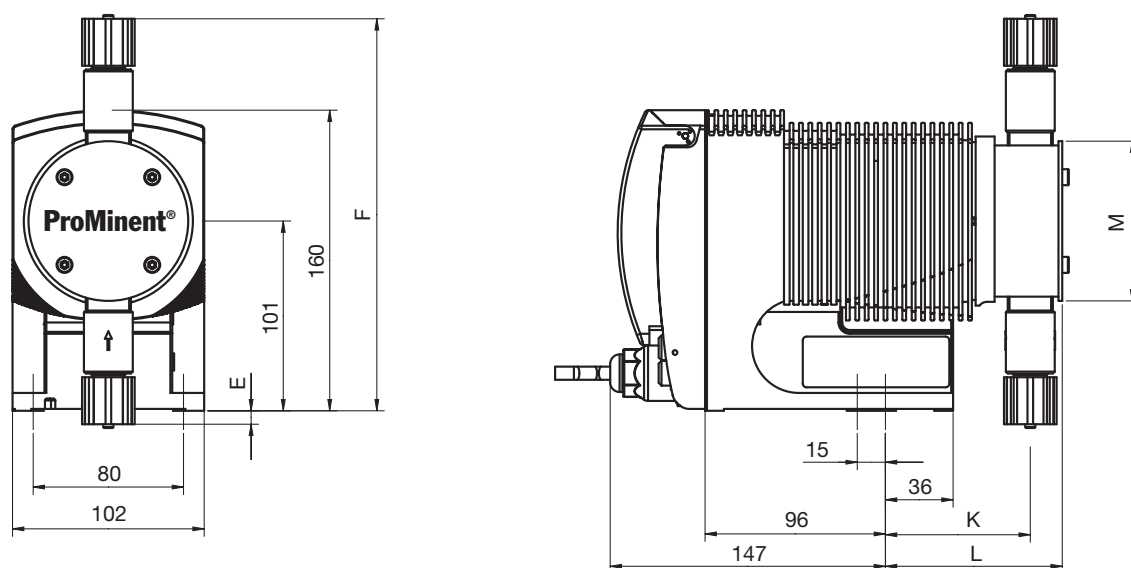


Fig. 28

Dimensions in mm

	gamma/ L M70				gamma/ L M85		
	1000 - 1601	1602	1005	0708 - 0220	1605	1008 - 0420	0232
<b>E</b>	32	25	23	-7	23	-7	-15
<b>F</b>	170	178	179	209	179	209	217
<b>K</b>	78	72	75	77	75	77	78
<b>L</b>	91	87	90	95	90	95	97
<b>M</b>	51 (Ø 60)	66 (Ø 70)	68 (Ø 80)	81 (Ø 85)	68 (Ø 80)	81 (Ø 85)	96 (Ø 100)

SST material version

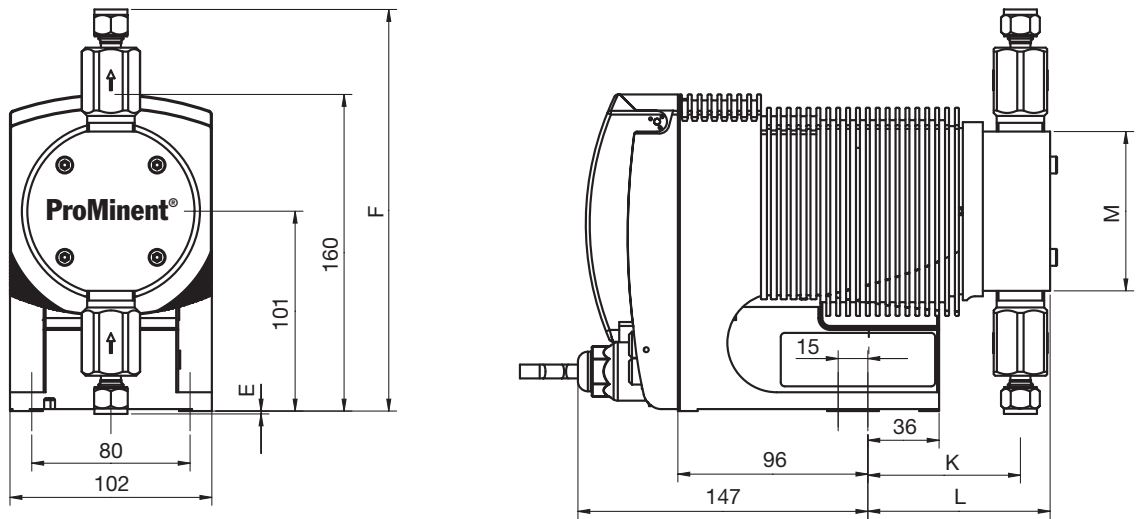


Fig. 29

Dimensions in mm

	gamma/ L M70					gamma/ L M85			
	1000 - 1601	1602	1005	0708 - 0413	0220	1605	1008 - 0713	0420	0232
<b>E</b>	40	33	31	-2	-3	31	-2	-3	-10
<b>F</b>	162	170	171	203	204	171	203	204	212
<b>K</b>	78	72	75	77	77	75	77	77	78
<b>L</b>	89	85	88	93	93	88	93	93	95
<b>M</b>	51 (Ø 60)	66 (Ø 70)	68 (Ø 80)	81 (Ø 85)	81 (Ø 85)	81 (Ø 80)	81 (Ø 85)	81 (Ø 85)	96 (Ø 100)