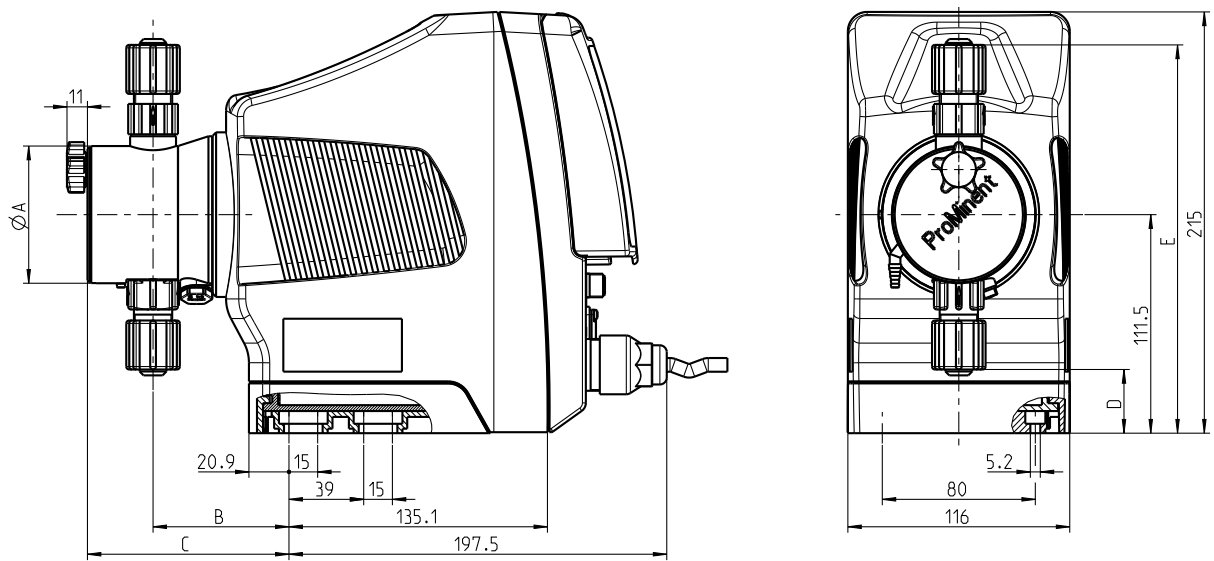



# Dimensional Drawings gamma/ X, GMXa



P\_G\_0055\_SW  
40129808

# 1 Dimensional Drawings

 - Compare the dimensions on the dimensional drawing with those of the pump and mounting foot.  
- All dimensions are in mm.

Dimensional drawing of gamma/ X mounting foot

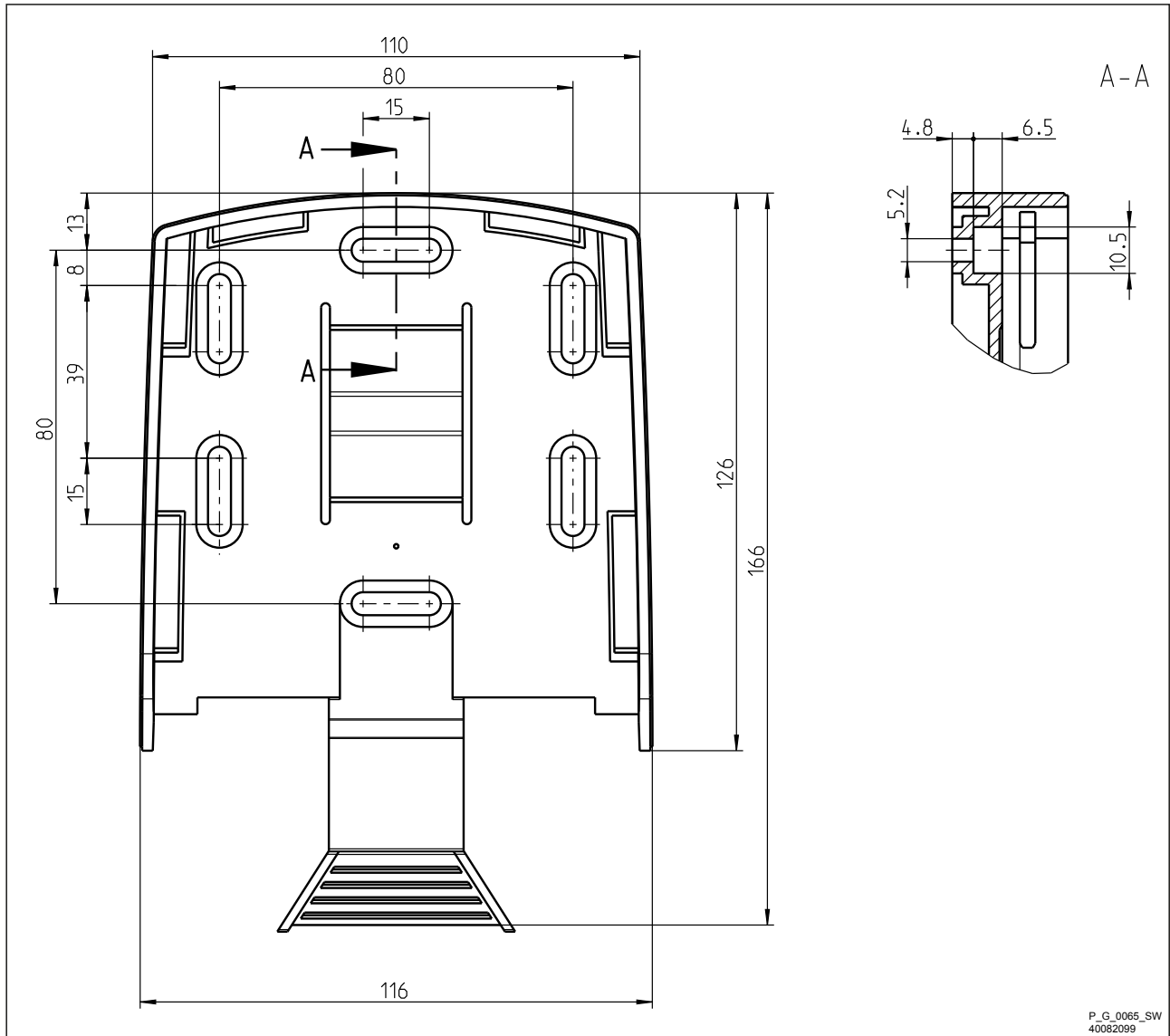
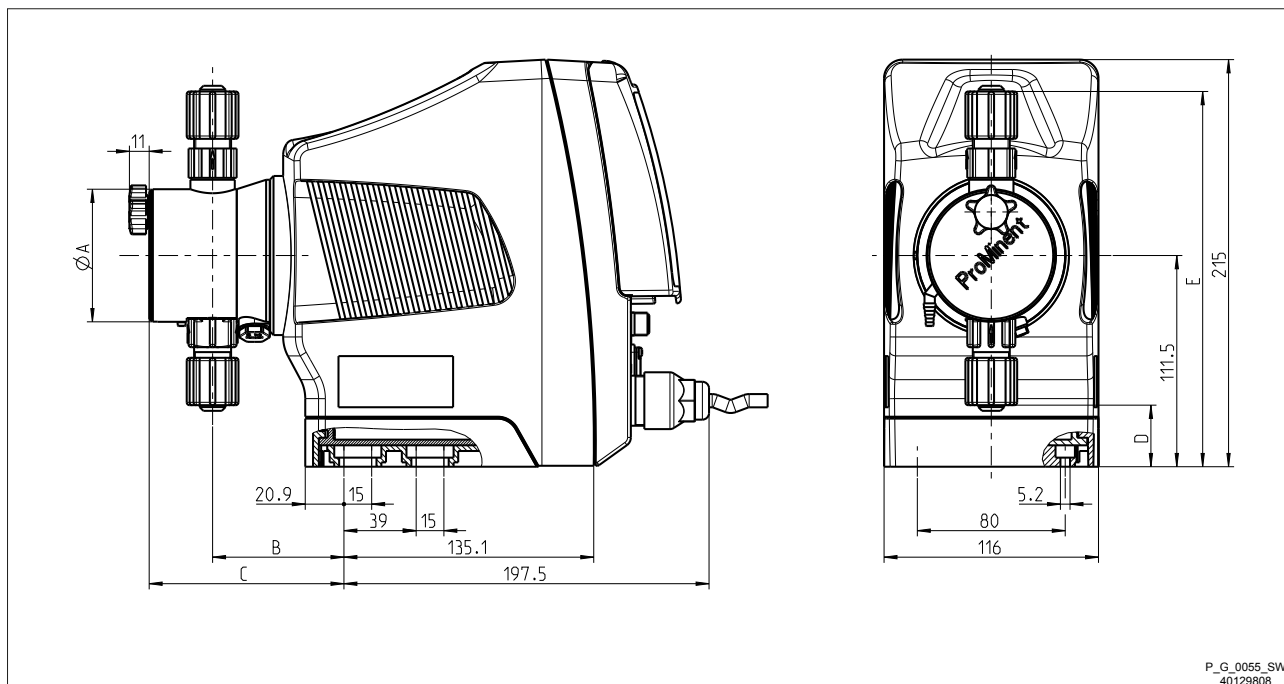


Fig. 1

Dimensional drawing of gamma/ X,  
material versions PPE, PPB and PPT



P\_G\_0055\_SW  
40129808

Fig. 2

	gamma/ X M70			gamma/ X M85		
	1602	1009 - 0708	0424 - 220	1604	0715 - 0414	0245
ØA	70	90	90	70	90	110
B	71	74	76	71	74	76
C (with bleed valve)	106	108	110	106	107	-
C (without bleed valve)	-	-	-	-	-	93
D	32	24	24	32	24	14
E	23	13	15	13	15	5
F	198	202	202	198	202	209

## Dimensional drawing of gamma/ X, material versions NPE, NPB and NPT

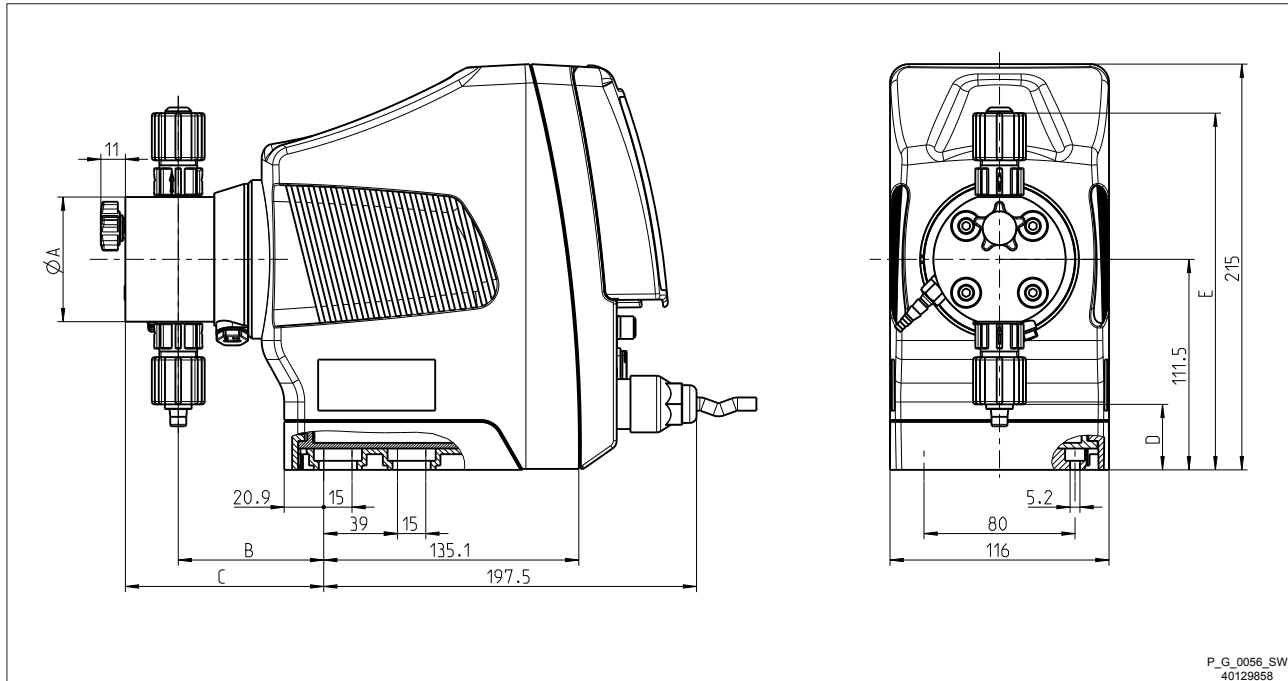
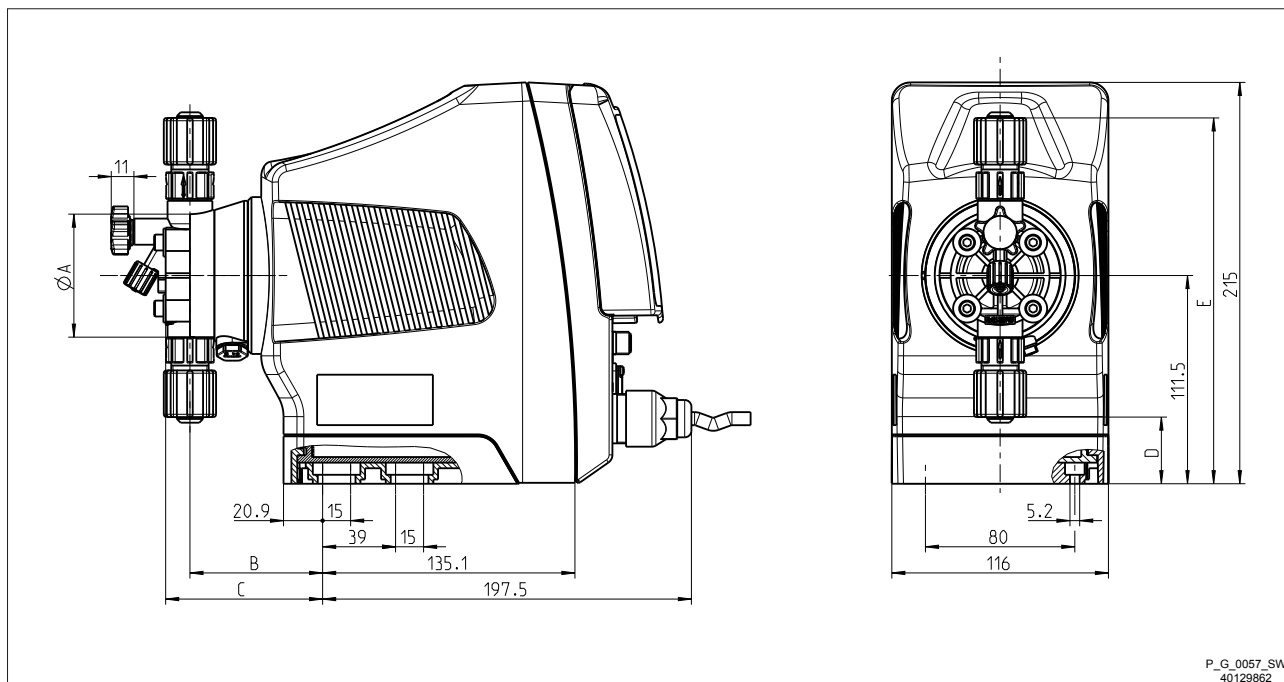


Fig. 3

	gamma/ X M70			gamma/ X M85		
	1602	1009 - 0708	0424 - 220	1604	0715 - 0414	0245
ØA	70	90	90	70	90	110
B	77	74	76	77	76	76
C (with bleed valve)	105	102	104	105	104	105
C (without bleed valve)	92	91	91	92	91	91
D	33	23	23	33	23	14
E	191	200	200	191	200	210

Dimensional drawing of gamma/ X,  
material version PVT



P\_G\_0057\_SW  
40129862

Fig. 4

	gamma/ X M70			gamma/ X M85		
	1602	1009 - 0708	0424 - 220	1604	0715 - 0414	0245
$\varnothing A$	70	90	90	70	90	110
B	71	75	79	71	73	76
C (with bleed valve)	84	92	90	84	90	-
C (without bleed valve)	-	-	-	-	-	93
D	36	25	25	36	25	14
E	196	203	203	196	203	209

## Dimensional drawing of gamma/ X, material version PVT HV

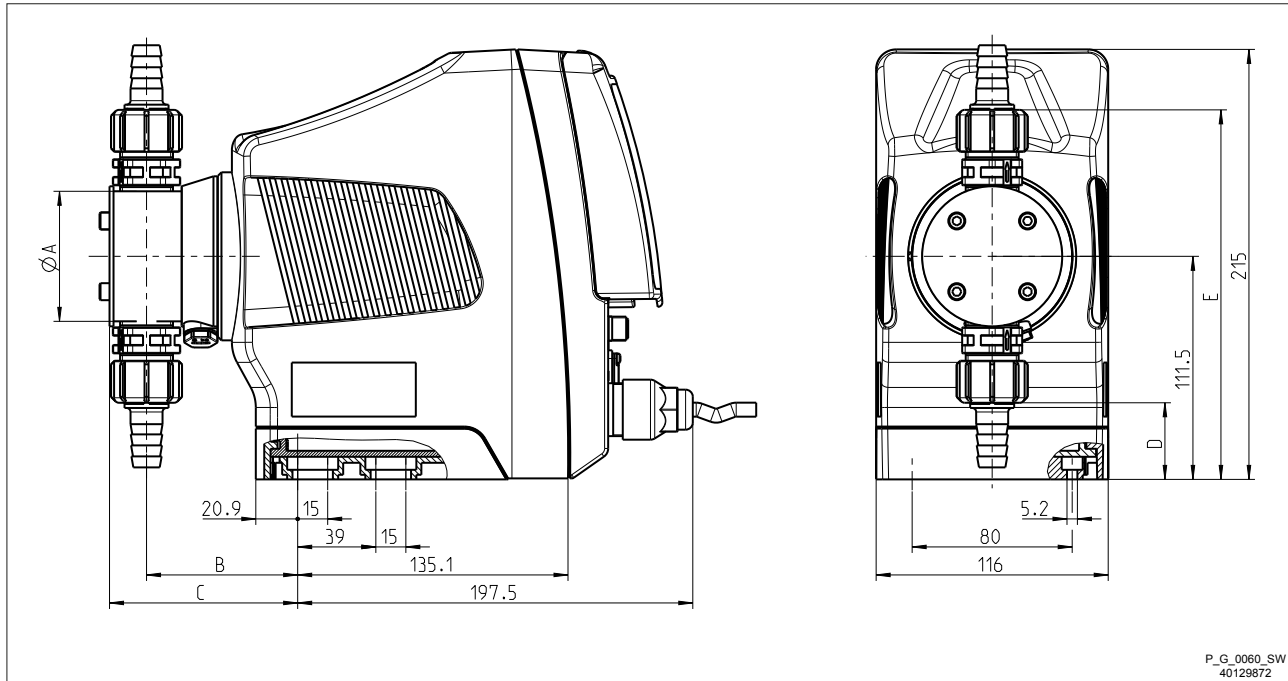


Fig. 5

	gamma/ X M70		gamma/ X M85	
	1009 - 0708	0424 - 220	1604	0715 - 0414
ØA	80	85	70	80
B	78	79	76	78
C	96	97	94	96
D	33	30	38	33
E	190	193	185	190

Dimensional drawing of gamma/ X,  
material version TTT

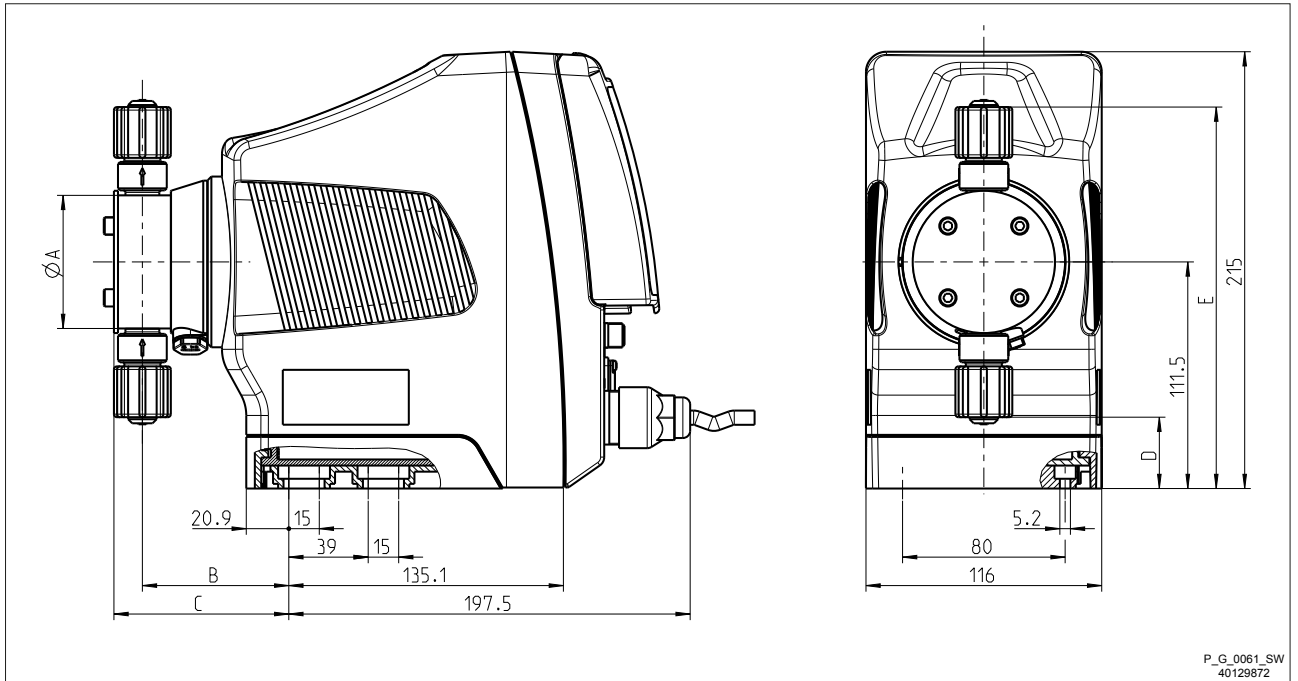


Fig. 6

	gamma/ X M70			gamma/ X M85		
	1602	1009 - 0708	0424 - 220	1604	0715 - 0414	0245
ØA	70	85	85	70	85	100
B	72	79	77	72	77	78
C	86	96	96	86	96	97
D	35	3	3	35	3	-5
E	188	220	202	188	220	227

## Dimensional drawing of gamma/ X, material version SST

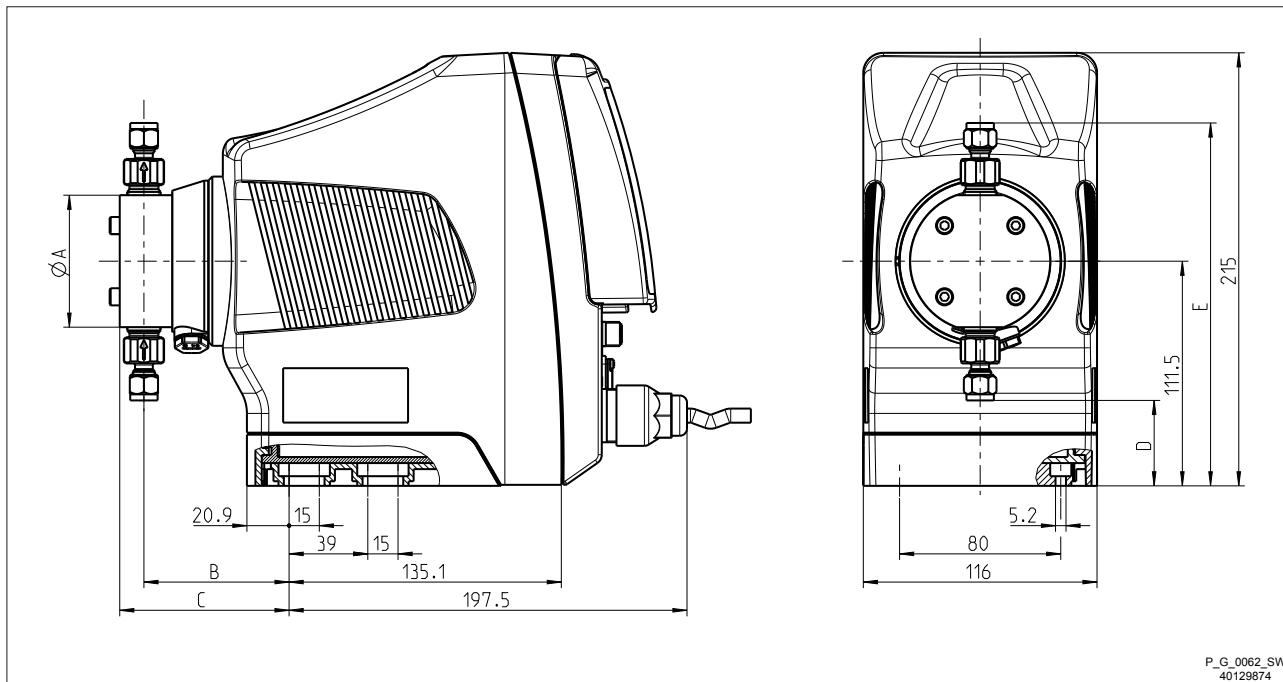


Fig. 7

	gamma/ X M70			gamma/ X M85		
	1602	1009 - 0708	0424 - 220	1604	0715 - 0414	0245
ØA	70	85	85	70	85	100
B	72	79	77	72	77	78
C	84	94	94	84	94	95
D	42	11	11	42	11	4
E	180	211	211	180	211	219



Dimensional drawing of gamma/ X,  
material version PPB SEK

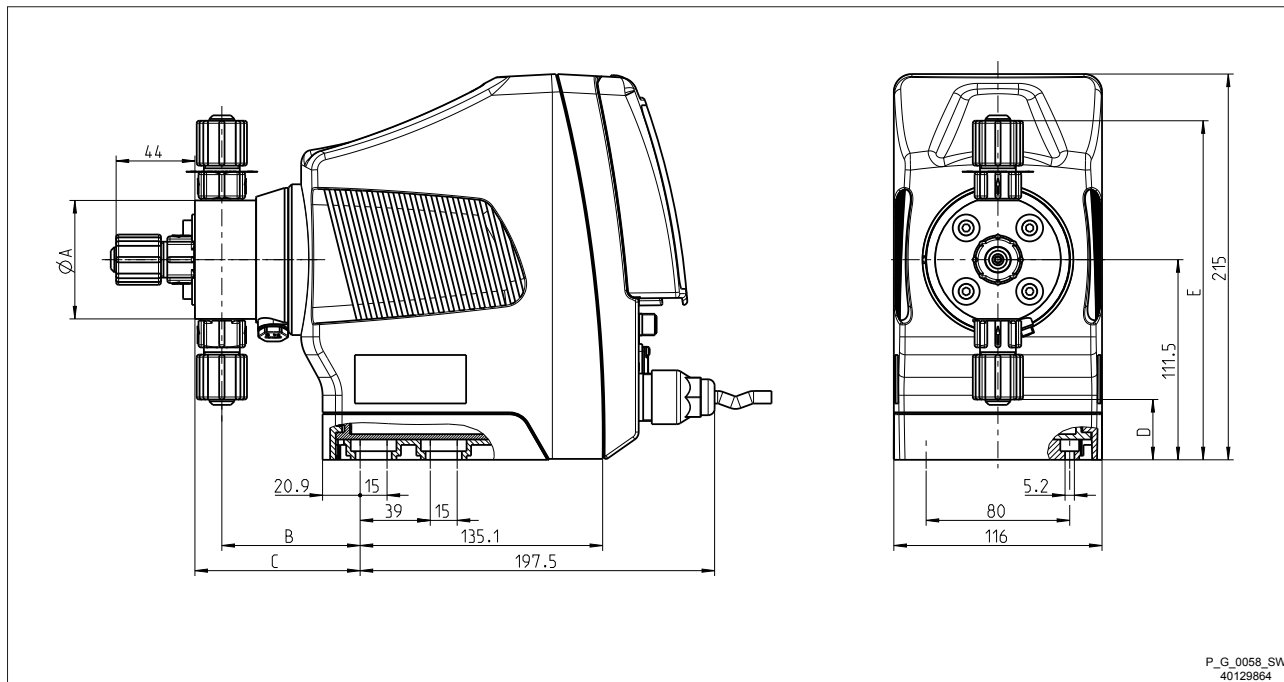


Fig. 8

	gamma/ X M70			gamma/ X M85	
	1602	1009 - 0708	0424 - 220	1604	0715 - 0414
ØA	70	90	90	70	90
B	77	74	76	77	76
C	92	89	91	92	91
D	33	24	24	33	24
E	189	199	199	189	199

Dimensional drawing of gamma/ X,  
material version NPB SEK

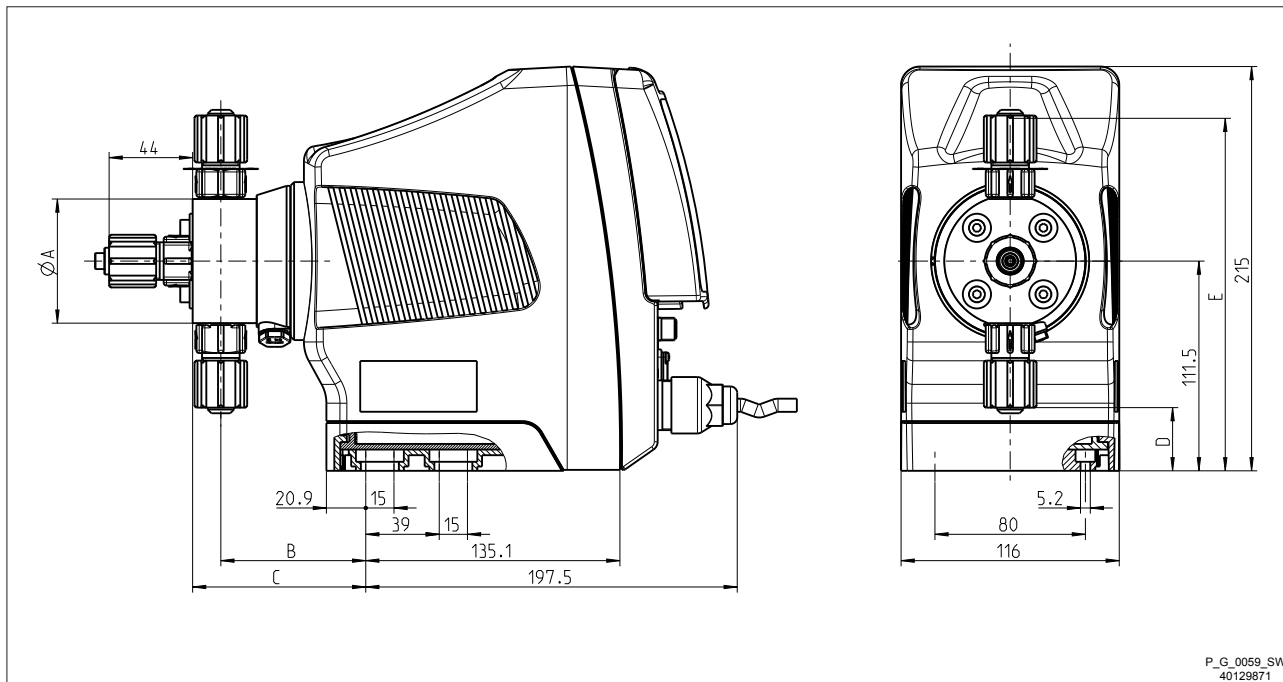


Fig. 9

	gamma/ X M70			gamma/ X M85	
	1602	1009 - 0708	0424 - 220	1604	0715 - 0414
ØA	70	90	90	70	90
B	77	76	76	77	76
C	92	91	91	92	91
D	33	24	24	33	24
E	189	199	199	189	199

" " -  
[www.promhimtech.ru](http://www.promhimtech.ru) / [zakaz@promhimtech.ru](mailto:zakaz@promhimtech.ru)

ProMinent