

17 Dimensions sheets

Dimensions sheet delta[®], material versions TT and SS

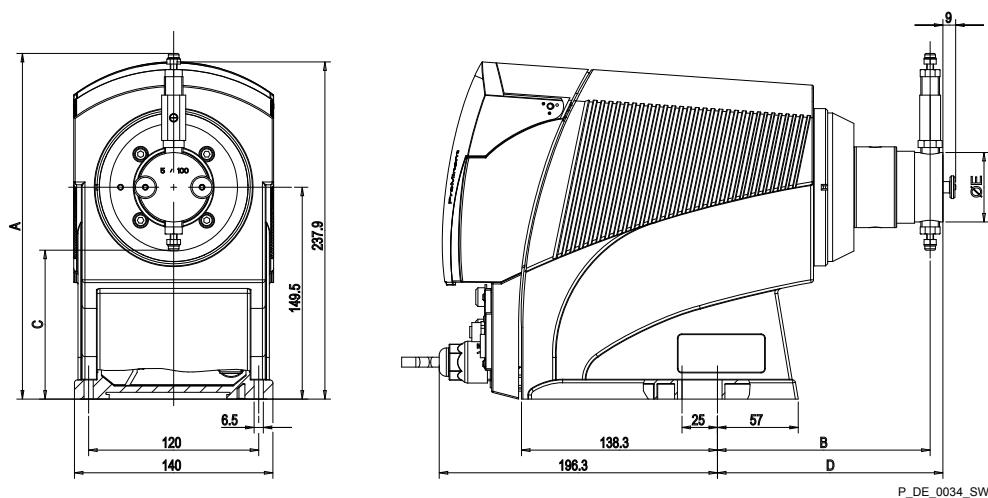


Fig. 32: Dimensions sheet delta[®] MDLa, material versions TT and SS - dimensions in mm

Material versions TT	A	B	C	D	E
100150	243.9	150.1	105.1	159.1	ø49
100600	243.9	150.1	105.1	159.1	ø49
101500	256.2	150.1	92.3	161.1	ø49

Material versions SS	A	B	C	D	E
600150	256.2	150.1	92.3	161.1	ø49
400600	254.7	150.1	99	159.1	ø49
201500	256.2	150.1	92.3	161.1	ø49