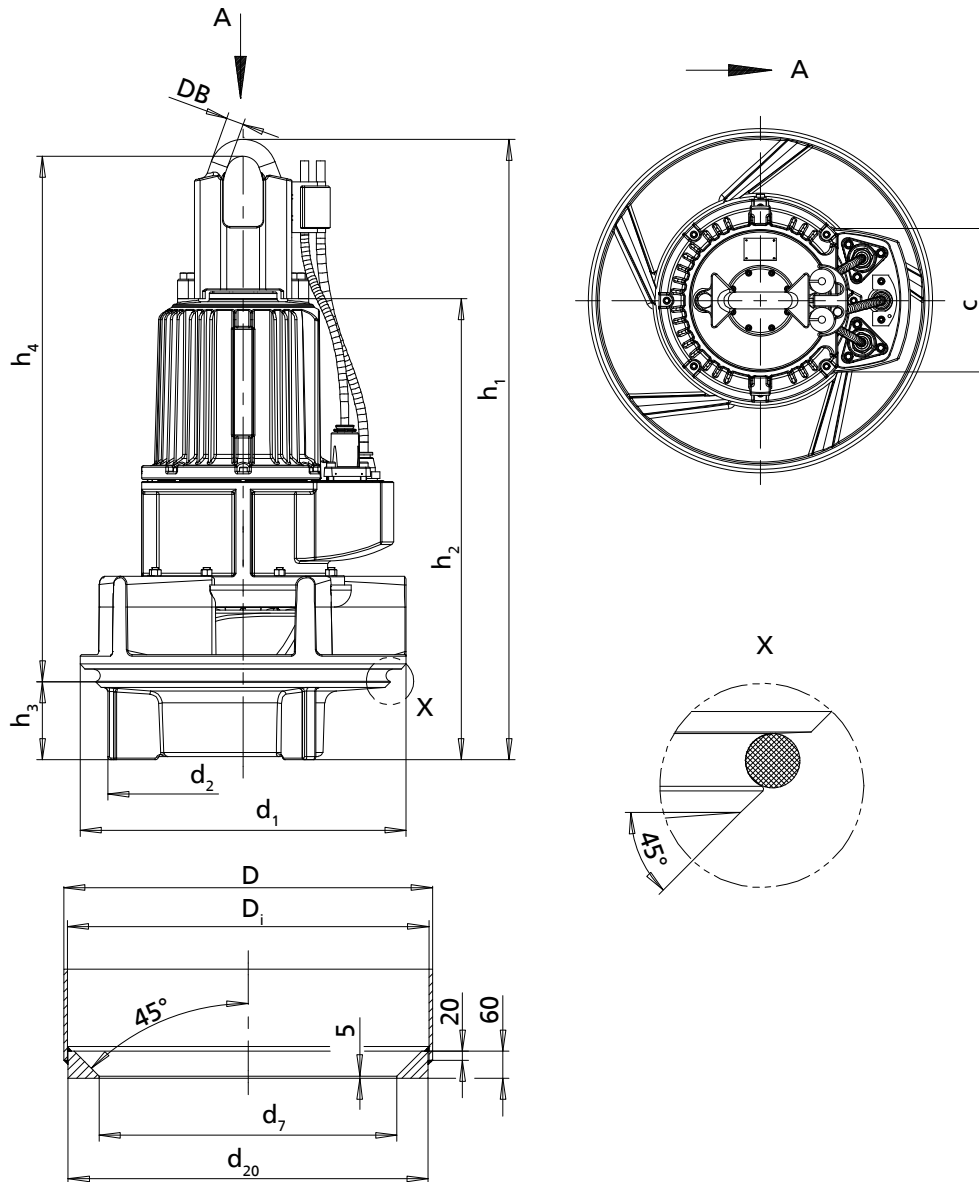


Dimensions

UG/XG motors (700-324 to 800-401)



Dimensions of the pump set and seat ring

Dimensions [mm]

Pump size	Motor size	Number of poles	Pump								Seat ring				
			h_1	h_2	h_3	h_4	DB	d_1	d_2	c	[kg] ³⁷⁾	d_7	d_{20}	D_i	$D^{38)}$
700-324	20	6	1150	985	151	985	15	670	556	205	411	570	691	695	711
700-324	26	6	1125	960	151	960	15	670	556	205	433	570	691	695	711
700-324	10	8	1150	985	151	985	15	670	556	205	394	570	691	695	711
700-324	17	8	1150	985	151	985	15	670	556	205	410	570	691	695	711
700-330	29	4	1125	960	151	960	15	670	556	205	442	570	691	695	711
700-330	20	6	1150	985	151	985	15	670	556	205	418	570	691	695	711
700-330	26	6	1125	960	151	960	15	670	556	205	440	570	691	695	711

37) Pump set with 10-metre power cable (400 V) and 5-metre support rope

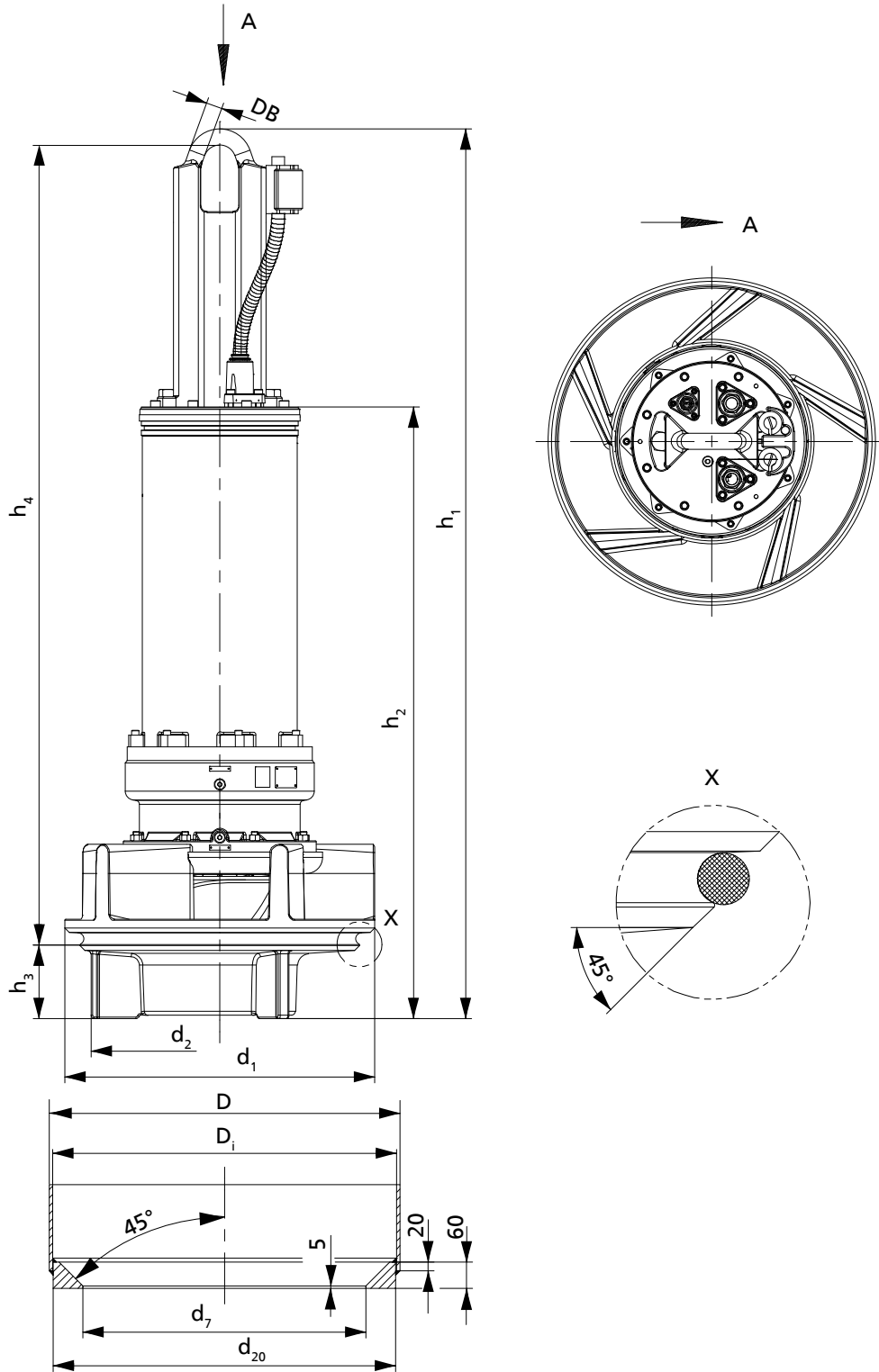
38) D for recommended wall thickness of the discharge tube (see dimension s1 in the General Arrangement Drawings)

Pump size	Motor size	Number of poles	Pump									Seat ring			
			h ₁	h ₂	h ₃	h ₄	DB	d ₁	d ₂	c	[kg] ³⁷⁾	d ₇	d ₂₀	D ₁	D ₃₈₎
700-371	20	6	1150	985	151	985	15	670	556	205	414	570	691	695	711
700-371	26	6	1125	960	151	960	15	670	556	205	436	570	691	695	711
700-371	10	8	1150	985	151	985	15	670	556	205	397	570	691	695	711
800-330	35	4	1410	1035	151	1219	40	670	556	340	589	570	793	797	813
800-330	50	4	1410	1035	151	1219	40	670	556	340	613	570	793	797	813
800-330	65	4	1410	1035	151	1219	40	670	556	340	645	570	793	797	813
800-370	20	6	1105	945	148	945	15	760	640	205	444	656	793	797	813
800-370	26	6	1080	920	148	920	15	760	640	205	466	656	793	797	813
800-370	32	6	1370	995	148	1181	40	760	640	340	608	656	793	797	813
800-370	40	6	1370	995	148	1181	40	760	640	340	634	656	793	797	813
800-400	26	6	1175	1015	183	980	15	770	640	205	574	656	793	797	813
800-400	32	6	1465	1090	183	1241	40	770	640	340	716	656	793	797	813
800-400	40	6	1465	1090	183	1241	40	770	640	340	742	656	793	797	813
800-400	50	6	1465	1090	183	1241	40	770	640	340	771	656	793	797	813
800-400	10	8	1200	1040	183	1005	15	770	640	205	535	656	793	797	813
800-400	17	8	1200	1040	183	1005	15	770	640	205	551	656	793	797	813
800-400	21	8	1175	1015	183	980	15	770	640	205	573	656	793	797	813
800-400	26	8	1465	1090	183	1241	40	770	640	340	717	656	793	797	813
800-401	26	6	1175	1015	183	980	15	770	640	205	557	656	793	797	813
800-401	32	6	1465	1090	183	1241	40	770	640	340	699	656	793	797	813
800-401	40	6	1465	1090	183	1241	40	770	640	340	725	656	793	797	813
800-401	50	6	1465	1090	183	1241	40	770	640	340	754	656	793	797	813
800-401	10	8	1200	1040	183	1005	15	770	640	205	518	656	793	797	813
800-401	17	8	1200	1040	183	1005	15	770	640	205	534	656	793	797	813
800-401	21	8	1175	1015	183	980	15	770	640	205	556	656	793	797	813
800-401	26	8	1465	1090	183	1241	40	770	640	340	700	656	793	797	813

³⁷⁾ Pump set with 10-metre power cable (400 V) and 5-metre support rope

³⁸⁾ D for recommended wall thickness of the discharge tube (see dimension s1 in the General Arrangement Drawings)

UNG/XNG motors (700-330, 800-400, 1000-420 to 1200-630)



Dimensions of the pump set and seat ring

Dimensions [mm]

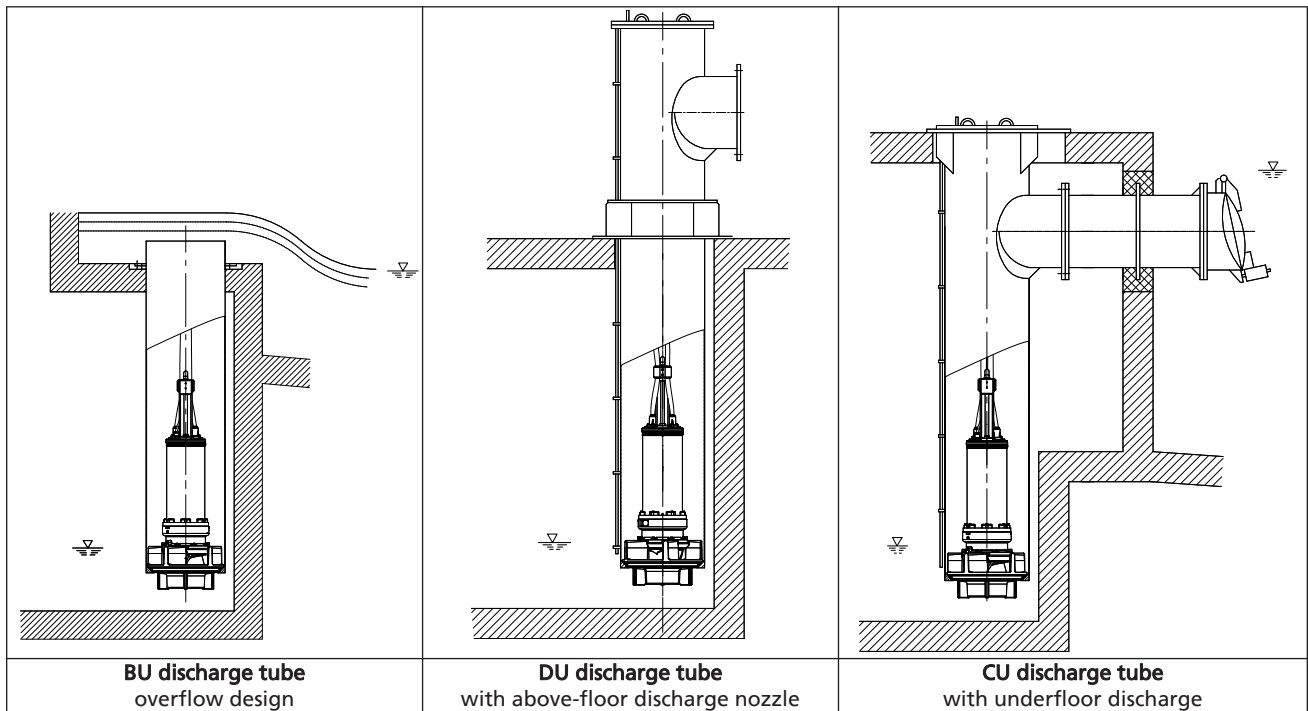
Pump size	Motor size	Number of poles	Pump								Seat ring			
			h ₁	h ₂	h ₃	h ₄	DB	d ₁	d ₂	[kg] ³⁹⁾	d ₇	d ₂₀	D _i	D ⁴⁰⁾
700-330	80	4	2155	1465	151	1964	40	670	556	917	570	691	695	711
800-400	60	6	2210	1520	183	1985	40	770	640	1041	656	793	797	813
1000-420	60	6	2310	1620	209	2060	40	970	840	1274	856	992	996	1016
1000-420	80	6	2510	1820	209	2260	40	970	840	1364	856	992	996	1016
1000-420	100	6	2510	1820	209	2260	40	970	840	1434	856	992	996	1016
1000-421	60	6	2510	1620	209	2060	40	970	840	1294	856	992	996	1016
1000-421	80	6	2510	1820	209	2260	40	970	840	1384	856	992	996	1016
1000-421	100	6	2510	1820	209	2260	40	970	840	1454	856	992	996	1016
1000-500	80	6	2515	1825	205	2270	40	970	820	1385	856	992	996	1016
1000-500	100	6	2515	1825	205	2270	40	970	820	1455	856	992	996	1016
1000-500	120	6	2630	1940	205	2385	40	970	820	1745	856	992	996	1016
1000-500	140	6	2630	1940	205	2385	40	970	820	1805	856	992	996	1016
1000-500	165	6	2630	1940	205	2395	40	970	820	1855	856	992	996	1016
1000-500	190	6	2885	2285	205	2620	50	970	820	2495	856	992	996	1016
1200-630	190	6	2940	2340	268	2620	50	1140	960	2730	1015	1192	1196	1220
1200-630	225	6	2940	2340	268	2620	50	1140	960	2900	1015	1192	1196	1220
1200-630	260	6	2940	2340	268	2620	50	1140	960	3120	1015	1192	1196	1220
1200-630	320	6	3205	2505	268	2875	60	1140	960	3740	1015	1192	1196	1220
1200-630	90	8	2685	1995	268	2380	40	1140	960	1980	1015	1192	1196	1220
1200-630	110	8	2685	1995	268	2380	40	1140	960	2050	1015	1192	1196	1220
1200-630	130	8	2685	1995	268	2380	40	1140	960	2110	1015	1192	1196	1220
1200-630	150	8	2940	2340	268	2620	50	1140	960	2720	1015	1192	1196	1220
1200-630	40	10	2685	1995	268	2380	40	1140	960	1920	1015	1192	1196	1220
1200-630	60	10	2685	1995	268	2380	40	1140	960	1960	1015	1192	1196	1220
1200-630	75	10	2685	1995	268	2380	40	1140	960	2030	1015	1192	1196	1220

³⁹⁾ Pump set with 10-metre power cable (400 V) and 5-metre support rope

⁴⁰⁾ D for recommended wall thickness of the discharge tube (see dimension s1 in the General Arrangement Drawings)

Types of installation

Overview of installation types



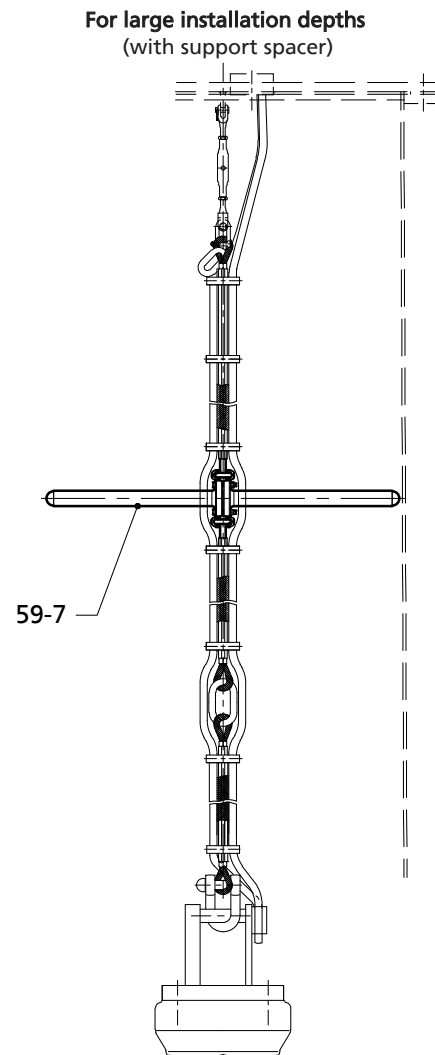
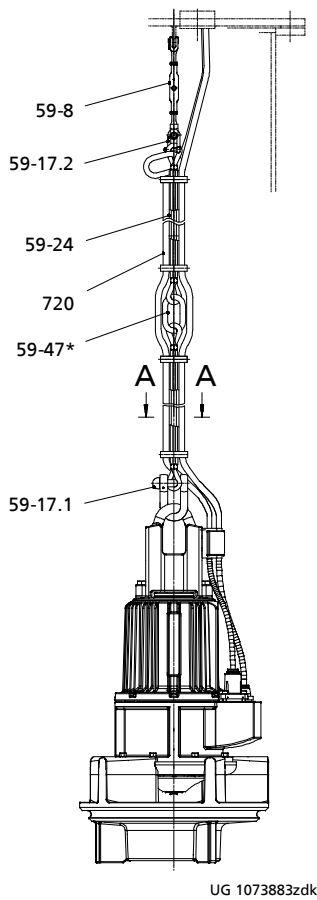
Scope of supply

Depending on the model, the following items are included in the scope of supply:

- Pump set complete with 10 m power cable
- O-ring
- Back-up name plate
- Optional:**
- Support rope
- Accessories for installing the cable guide
 - Spacer
 - Turnbuckle
 - Support
 - Shackle
 - Cable clamps
- Cable support sleeves
- Discharge tube in various designs (steel or GFK)

Accessories

Pump with support rope and turnbuckle in the discharge tube

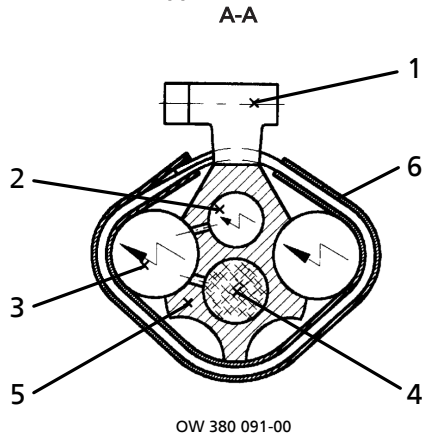


*= The number of (intermediate) lifting rings depends on the lifting height of the lifting equipment and on the building structure. (Intermediate lifting rings are supplied as an option).

List of components

Part No.	Description	Material
59-8	Turnbuckle	Stainless steel
59-17.2	Shackle	Stainless steel
59-47	(Intermediate) lifting ring(s)	Stainless steel
59-24	Rope, low rotation design	Stainless steel
720	Spacer	EPDM
59-17.1	Shackle	Galvanised steel (stainless steel optional)
59-7	Support spacer	GFRP

Cross-section of cable support

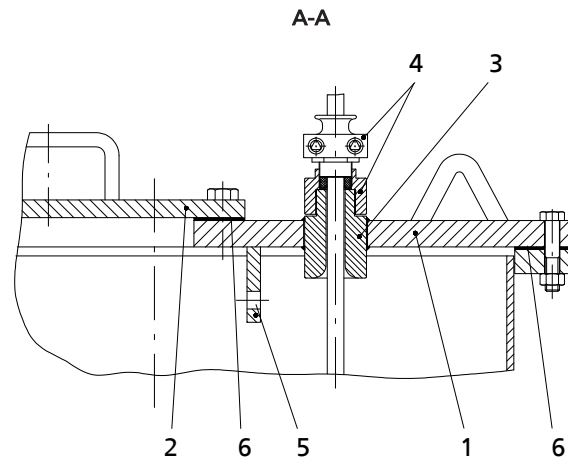
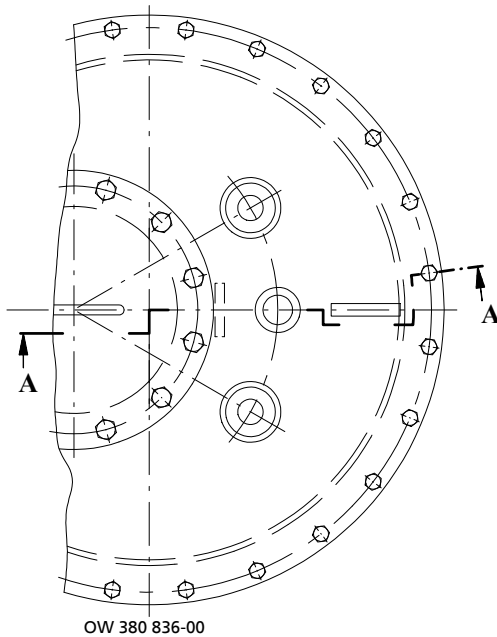


List of components

Part No.	Description	Part No.	Description
1	Cable clamp (approximately every 400 mm)	4	Support rope 59-24
2	Control cable	5	Spacer
3	Power cable	6	Clamp cover

Discharge tube cover with cable gland

Design: with welding sleeve

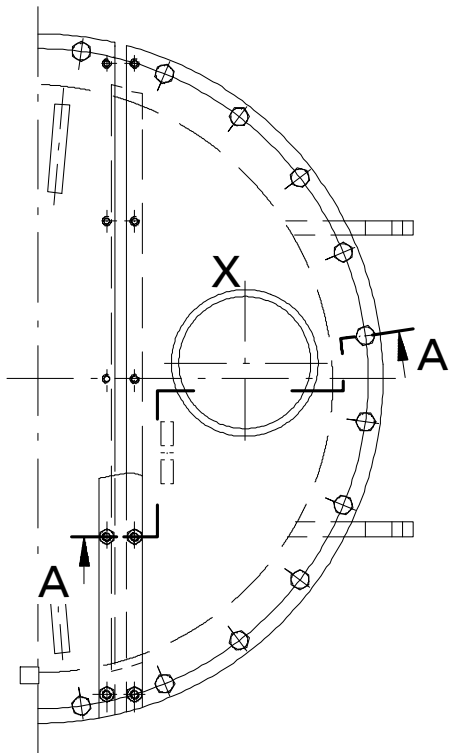


List of components

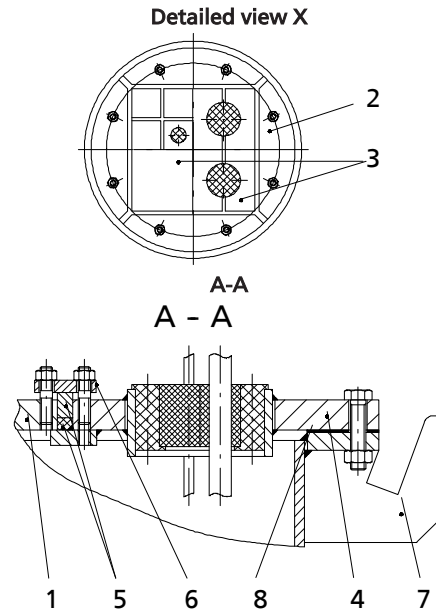
Part No.	Description	Part No.	Description
1	Discharge tube cover ⁴¹⁾	4	Threaded bush with cable entry to DIN 22419 with strain relief and protection against kinking and twisting
2	Cover	5	Eyeplate for fastening the cable support (support rope)
3	Welding sleeve	6	Gasket, e.g. rubber with fabric reinforcement

41) Discharge tube cover also available in split design.

Design variant: with transit frame (up to 1 bar)



OW 380 861-00



List of components

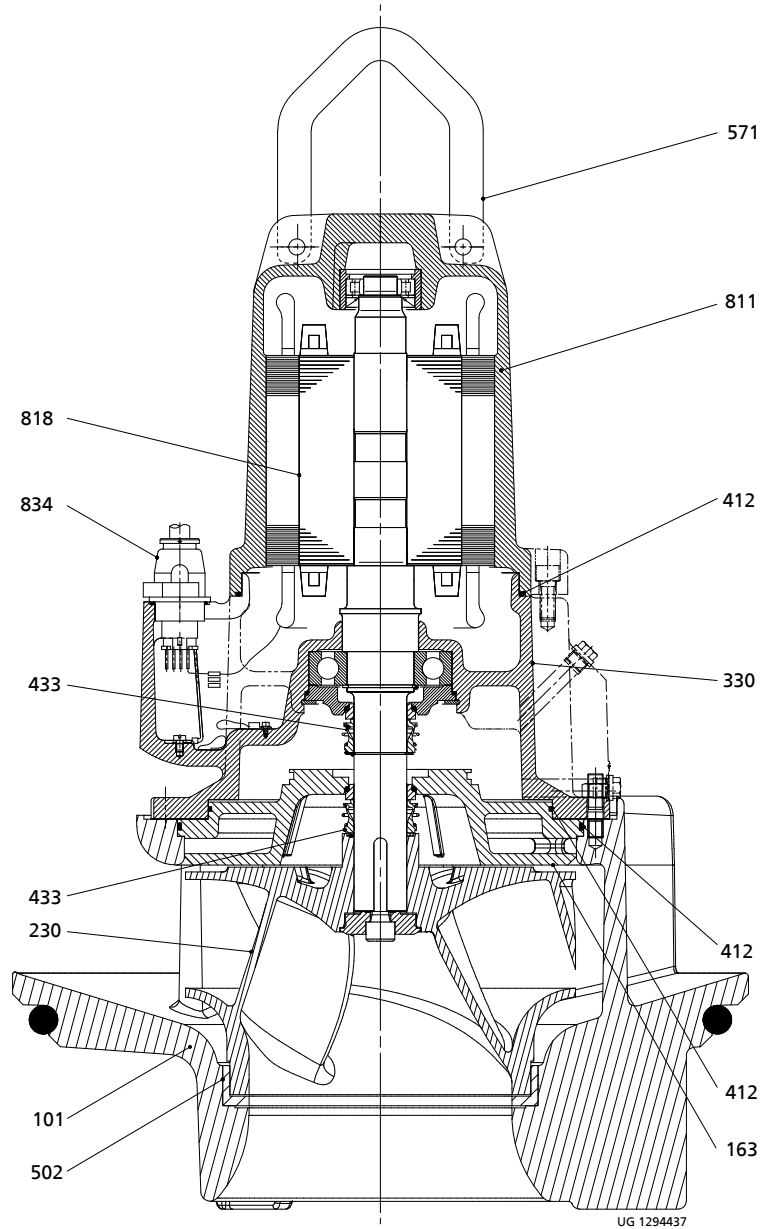
Part No.	Description
1	Discharge tube cover ⁴²⁾
2	Transit frame (cable gland)
3	Packing and insert blocks
4	Cover segment with cable gland
5	Closed-cell profile joint in groove between the two cover parts
6	Sealing arrangement of groove between the two cover parts
7	Support brackets for cover segment with cable glands
8	Gasket (e.g. rubber with fabric reinforcement)

⁴²⁾ Discharge tube cover also available in single-piece design.

General assembly drawings with list of components

Amacan K 700 - 324 ... 800 - 401, motor version: UG/XG

- Amacan K 700 - 324
- Amacan K 700 - 330
- Amacan K 700 - 371
- Amacan K 800 - 370
- Amacan K 800 - 400
- Amacan K 800 - 401

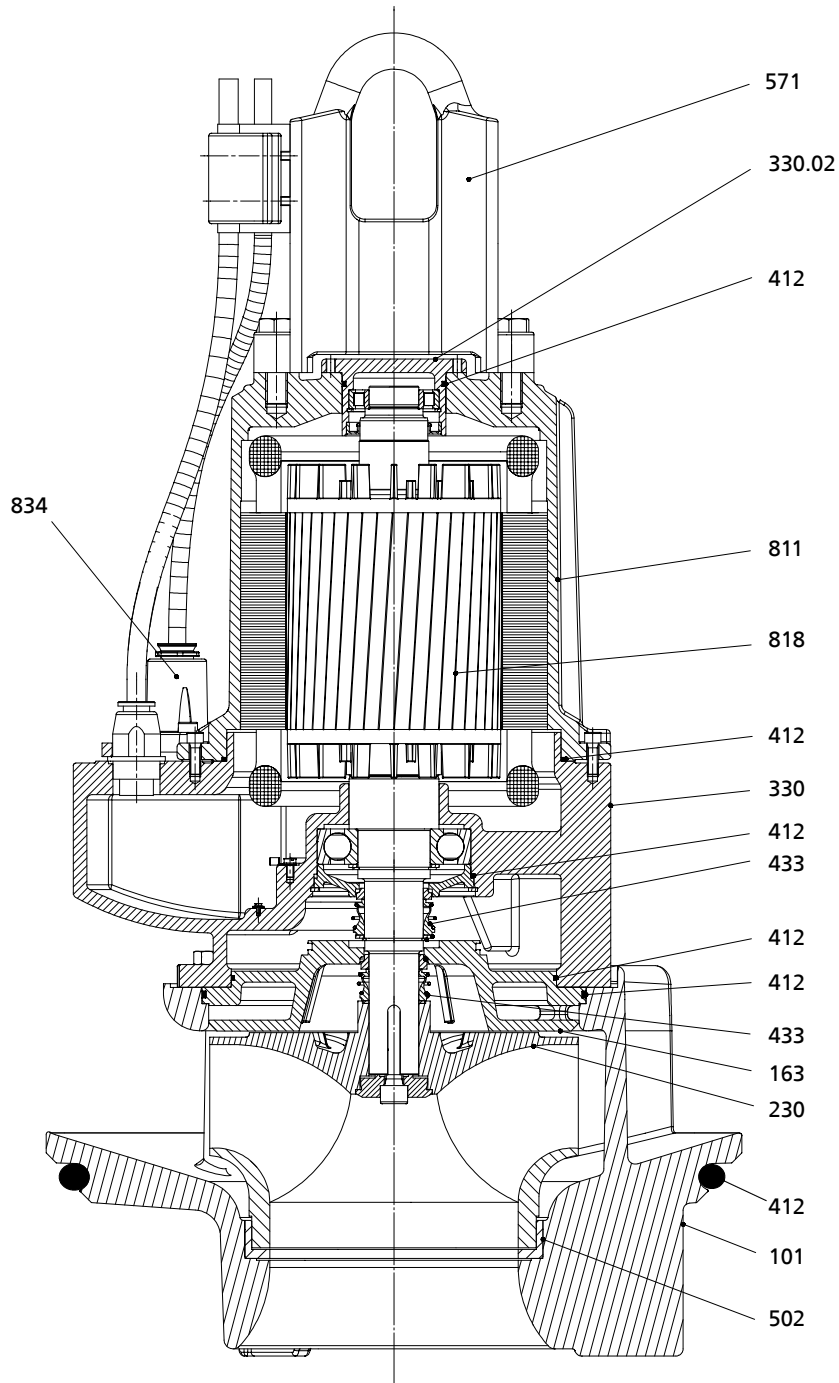


List of components

Part No.	Description	Part No.	Description
101	Pump casing	502	Casing wear ring
163	Discharge cover	571	Bail
230	Impeller	811	Motor housing
330	Bearing bracket	818	Rotor
412	O-ring	834	Cable gland
433	Mechanical seal	-	-

Amacan K 800 - 330 ... 800 - 401, motor version: UG/XG

- Amacan K 800 - 330
- Amacan K 800 - 370
- Amacan K 800 - 400
- Amacan K 800 - 401

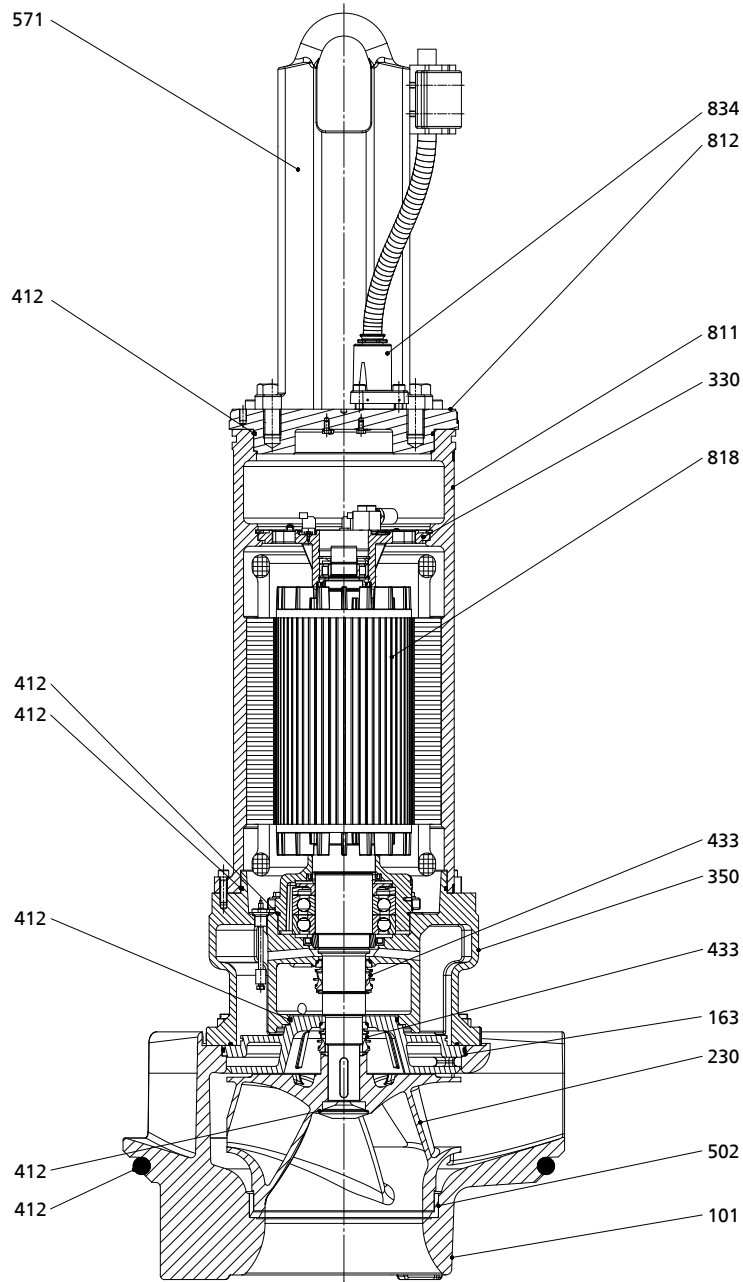


List of components

Part No.	Description	Part No.	Description
101	Pump casing	502	Casing wear ring
163	Discharge cover	571	Bail
230	Impeller	811	Motor housing
330	Bearing bracket	818	Rotor
412	O-ring	834	Cable gland
433	Mechanical seal	-	-

Amacan K 700 - 330 ... 1200 - 630, motor version: UNG/XNG

- Amacan K 700 - 330
- Amacan K 800 - 400
- Amacan K 1000 - 420
- Amacan K 1000 - 421
- Amacan K 1000 - 500
- Amacan K 1200 - 630



List of components

Part No.	Description	Part No.	Description
101	Pump casing	502	Casing wear ring
163	Discharge cover	571	Bail
230	Impeller	811	Motor housing
330	Bearing bracket	812	Motor housing cover
350	Bearing housing	818	Rotor
412	O-ring	834	Cable gland
433	Mechanical seal	-	-



KSB Aktiengesellschaft

P.O. Box 200743 • 06008 Halle (Saale) • Turmstraße 92 • 06110 Halle (Germany)

Tel. +49 345 4826-0 • Fax +49 345 4826-4699

www.ksb.com

12.03.2014

1579.5/07-EN