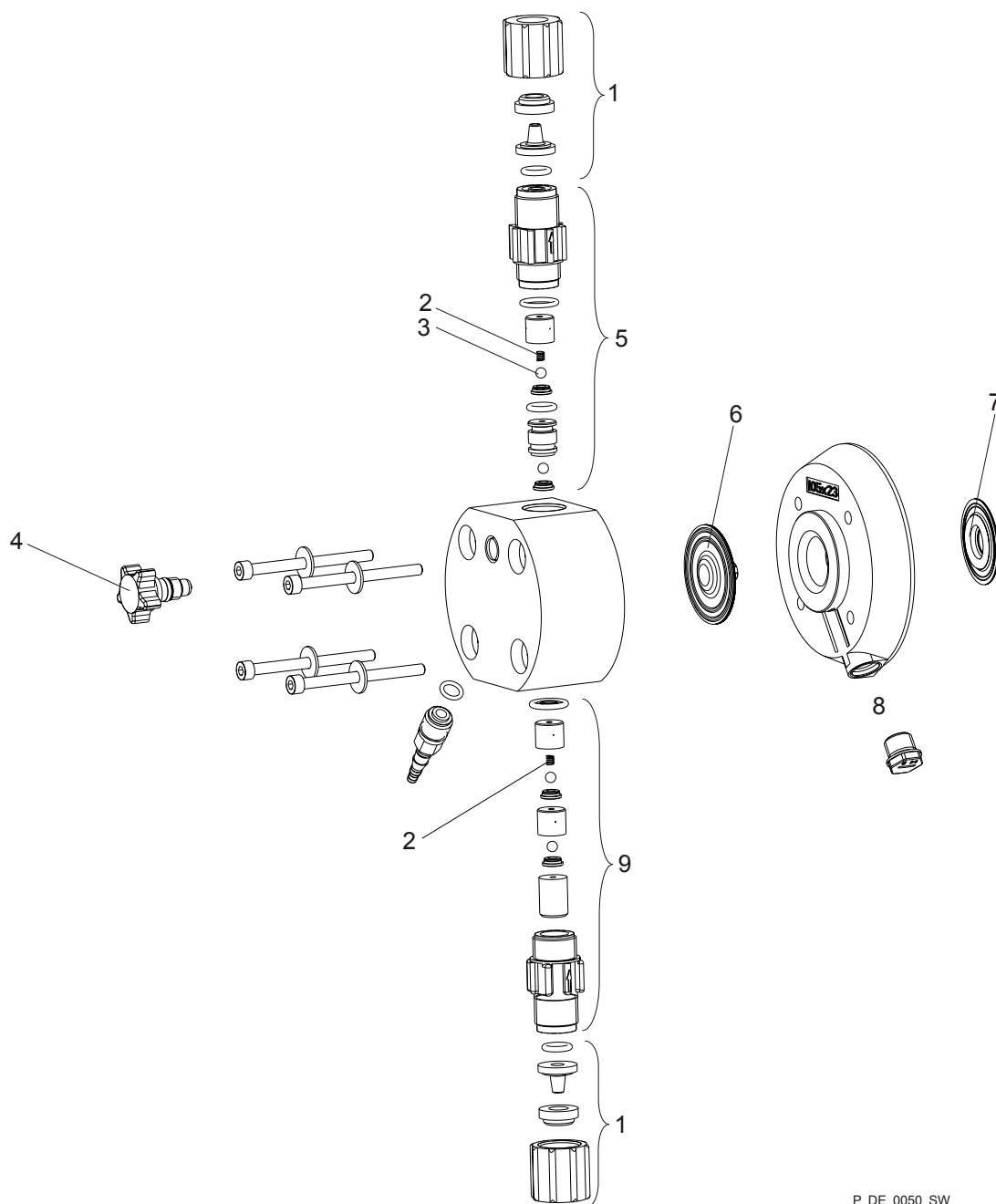


1 Exploded view drawings

Liquid end delta® 1608/2508 NP with coarse/fine bleeding



P_DE_0050_SW
60_07_104_00_85_04_2

Item.	Description	Type 1608/2508
1	Connector kit 12/9 PCE	817049
	Connector kit 8/5 PCE	817048
	Connector kit 12/9 PCB	817051
	Connector kit 8/5 PCB	817053
3	4 Valve balls	404201

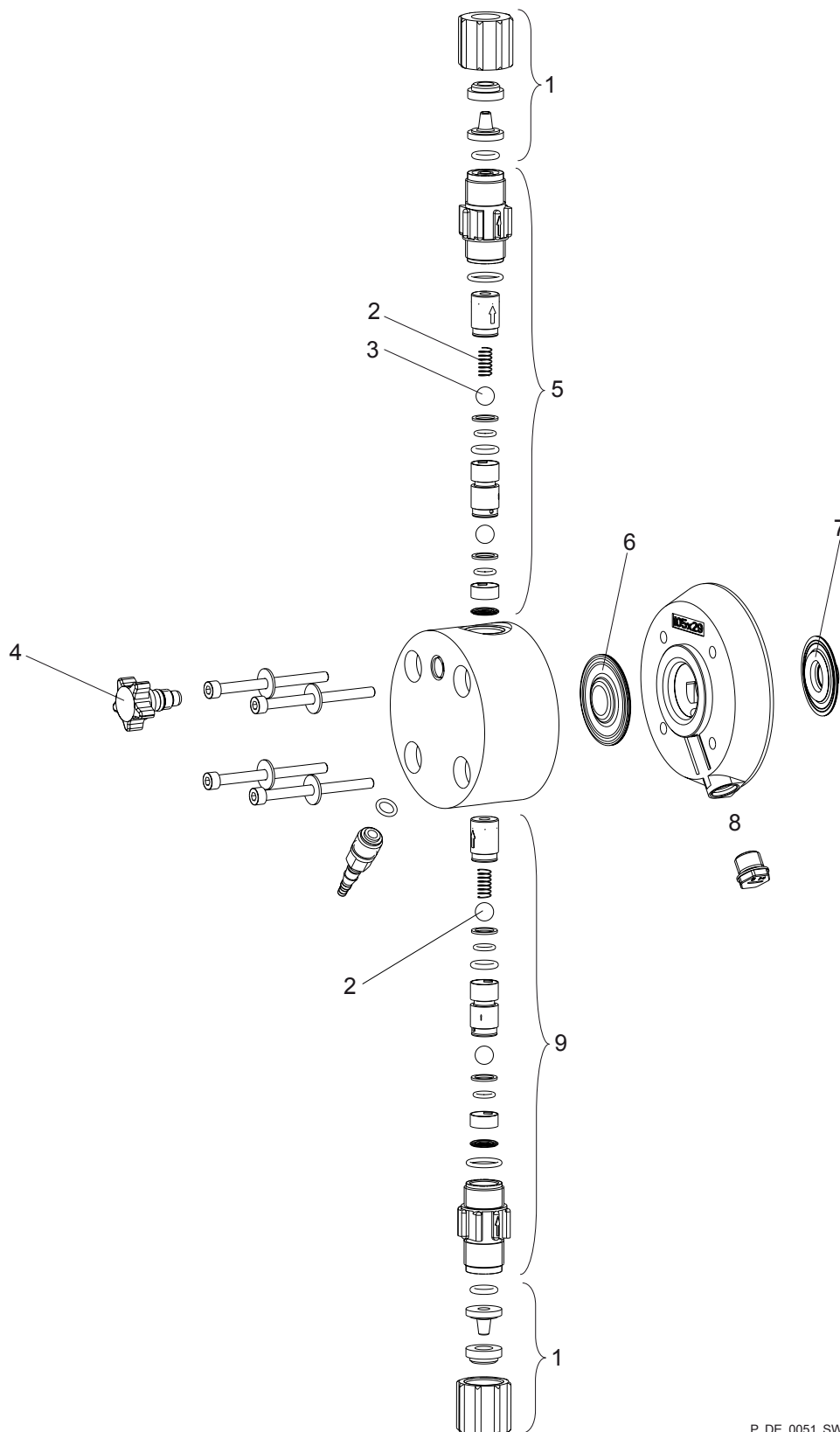
Spring (item 2) and diaphragm rupture reporter (item 8) are accessories. The items listed are included in the spare parts kit, excluding the diaphragm rupture reporter. Technical changes reserved.

Exploded view drawings

Item.	Description	Type 1608/2508
4	Bleed valve	791365
5	Discharge valve compl. PCE	740349
	Discharge valve compl. PCB	740348
6	Diaphragm	1030353
7	Safety diaphragm	1027414
8	Diaphragm rupture reporter*	1027416
9	Suction valve compl. PCE	792119
	Suction valve compl. PCB	792026

Spring (item 2) and diaphragm rupture reporter (item 8) are accessories. The items listed are included in the spare parts kit, excluding the diaphragm rupture reporter. Technical changes reserved.

Liquid end delta® 0730 - 1612 NP with coarse/fine bleeding



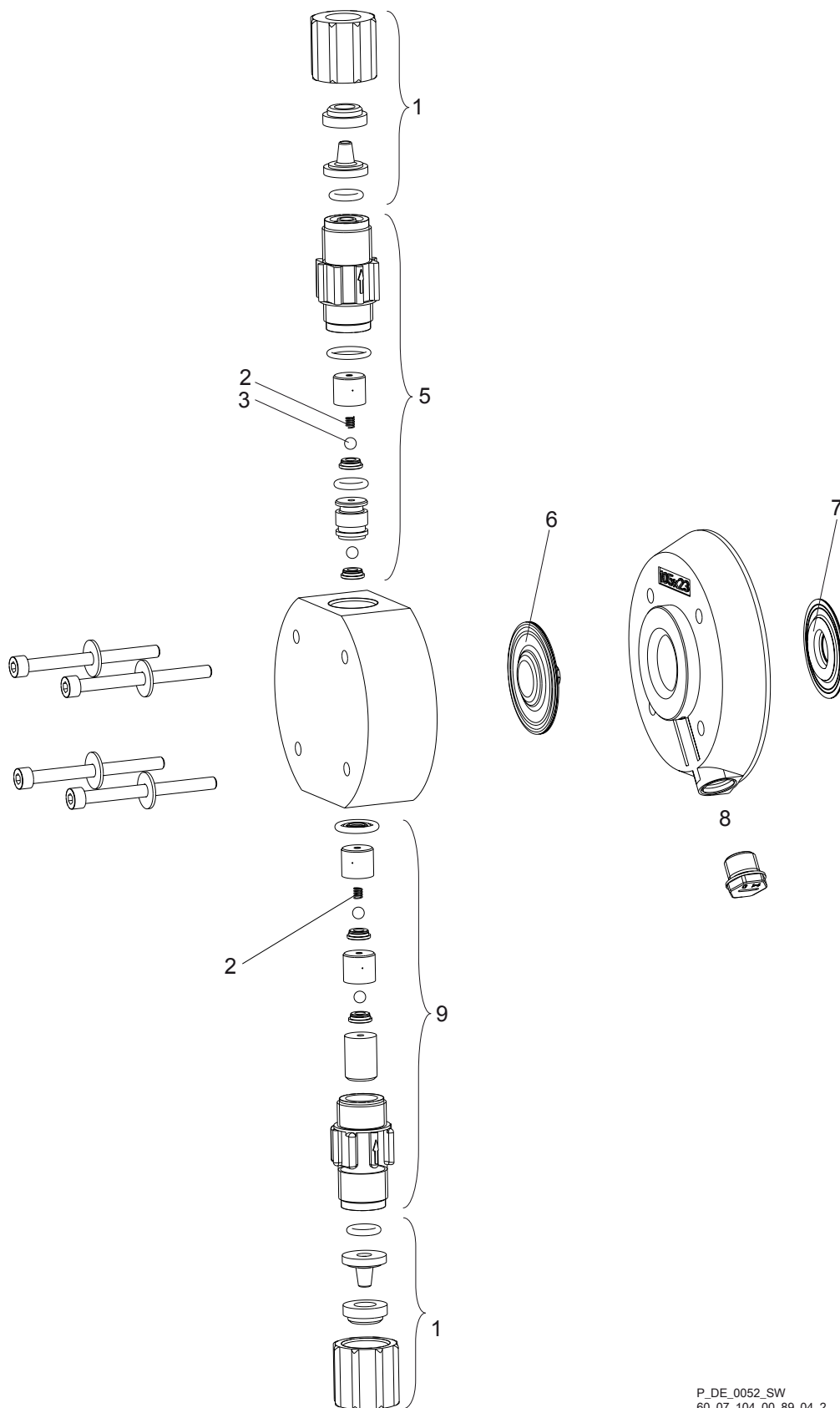
P_DE_0051_SW
60_07_104_00_87_04_2

Exploded view drawings

Item.	Description	1612	1020	0730
1	Connector kit 12/9 PCE	817049	817049	817049
	Connector kit 8/5 PCE	817048	817048	817048
	Connector kit 12/9 PCB	817051	817051	817051
	Connector kit 8/5 PCB	817053	817053	817053
3	4 Valve balls	404281	404281	404281
4	Bleed valve	791365	791365	791365
5	Discharge valve compl. PCE	1001439	1001439	1001439
	Discharge valve compl. PCB	1001438	1001438	1001438
6	Diaphragm	1000248	1000249	1000250
7	Safety diaphragm	1027414	1027414	1027414
8	Diaphragm rupture reporter*	1027416	1027416	1027416
9	Suction valve compl. PCE	1001435	1001435	1001435
	Suction valve compl. PCB	1001434	1001434	1001434

Spring (item 2) and diaphragm rupture reporter (item 8) are accessories. The items listed are included in the spare parts kit, excluding the diaphragm rupture reporter. Technical changes reserved.

Liquid end delta® 1608/2508 NP
without coarse/fine bleeding



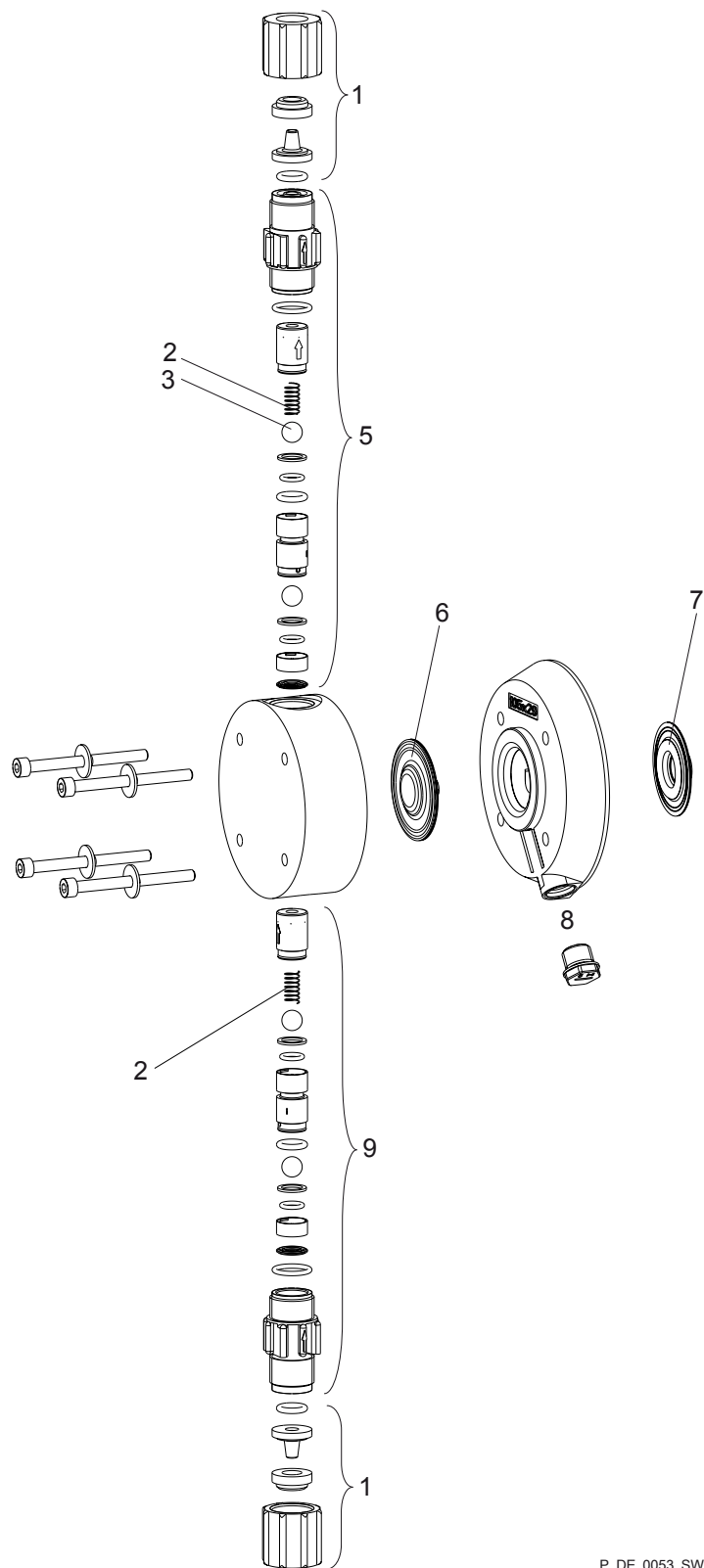
P_DE_0052_SW
60_07_104_00_89_04_2

Exploded view drawings

Item.	Description	Type 1608/2508
1	Connector kit 12/9 PCE	817049
	Connector kit 8/5 PCE	817048
	Connector kit 12/9 PCB	817051
	Connector kit 8/5 PCB	817053
3	4 Valve balls	404201
5	Discharge valve compl. PCE	740349
	Discharge valve compl. PCB	740348
6	Diaphragm	1030353
7	Safety diaphragm	1027414
8	Diaphragm rupture reporter*	1027416
9	Suction valve compl. PCE	792119
	Suction valve compl. PCB	792026

Spring (item 2) and diaphragm rupture reporter (item 8) are accessories. The items listed are included in the spare parts kit, excluding the diaphragm rupture reporter. Technical changes reserved.

Liquid end delta® 0730 - 1612 NP with coarse/fine bleeding



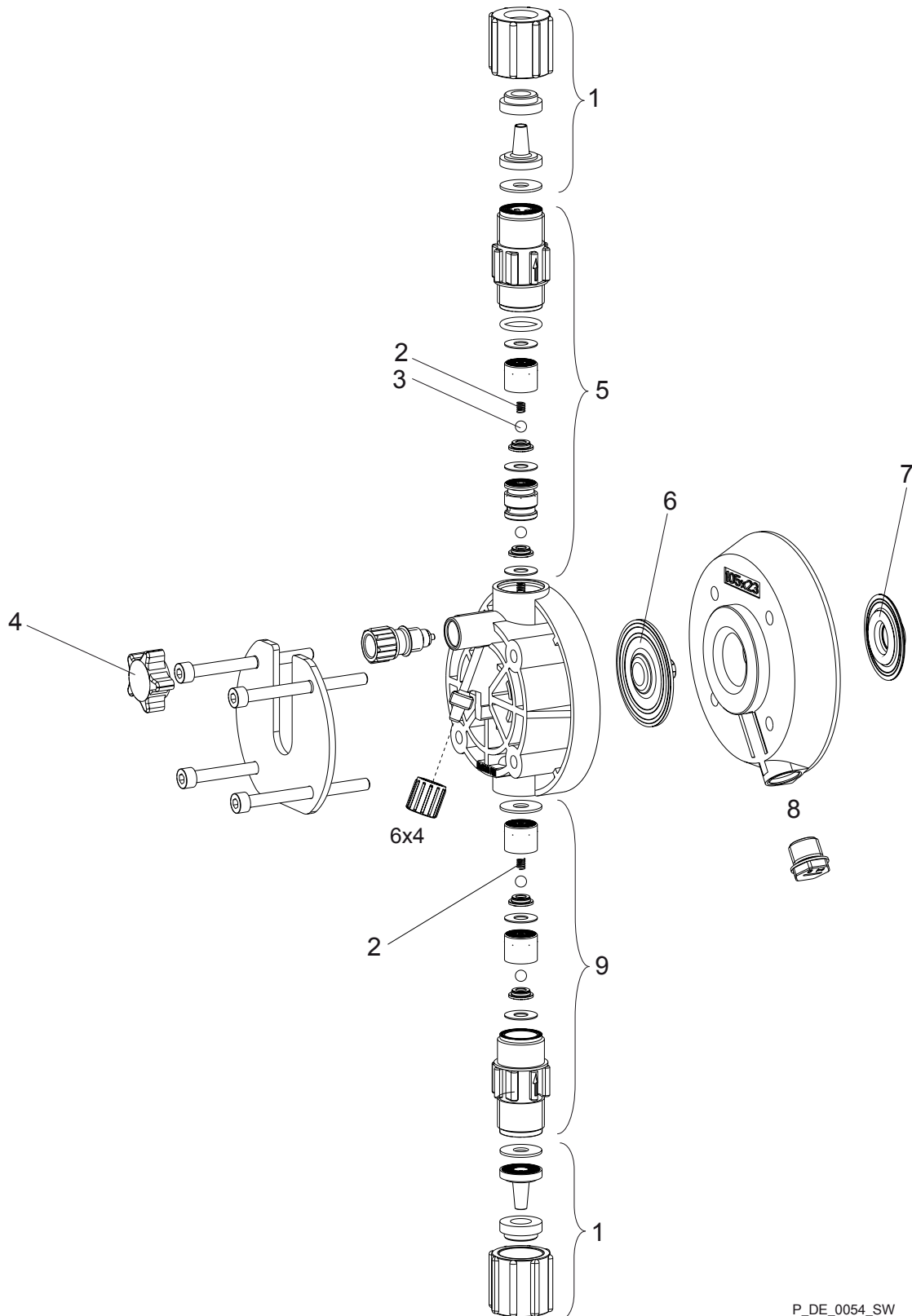
P_DE_0053_SW
60_07_104_00_83_04_2

Exploded view drawings

Item.	Description	1612	1020	0730
1	Connector kit 12/9 PCE	817049	817049	817049
	Connector kit 8/5 PCE	817048	817048	817048
	Connector kit 12/9 PCB	817051	817051	817051
	Connector kit 8/5 PCB	817053	817053	817053
3	4 Valve balls	404281	404281	404281
5	Discharge valve compl. PCE	1001439	1001439	1001439
	Discharge valve compl. PCB	1001438	1001438	1001438
6	Diaphragm	1000248	1000249	1000250
7	Safety diaphragm	1027414	1027414	1027414
8	Diaphragm rupture reporter*	1027416	1027416	1027416
9	Suction valve compl. PCE	1001435	1001435	1001435
	Suction valve compl. PCB	1001434	1001434	1001434

Spring (item 2) and diaphragm rupture reporter (item 8) are accessories. The items listed are included in the spare parts kit, excluding the diaphragm rupture reporter. Technical changes reserved.

Liquid end delta® 1608 PVT with bleeding



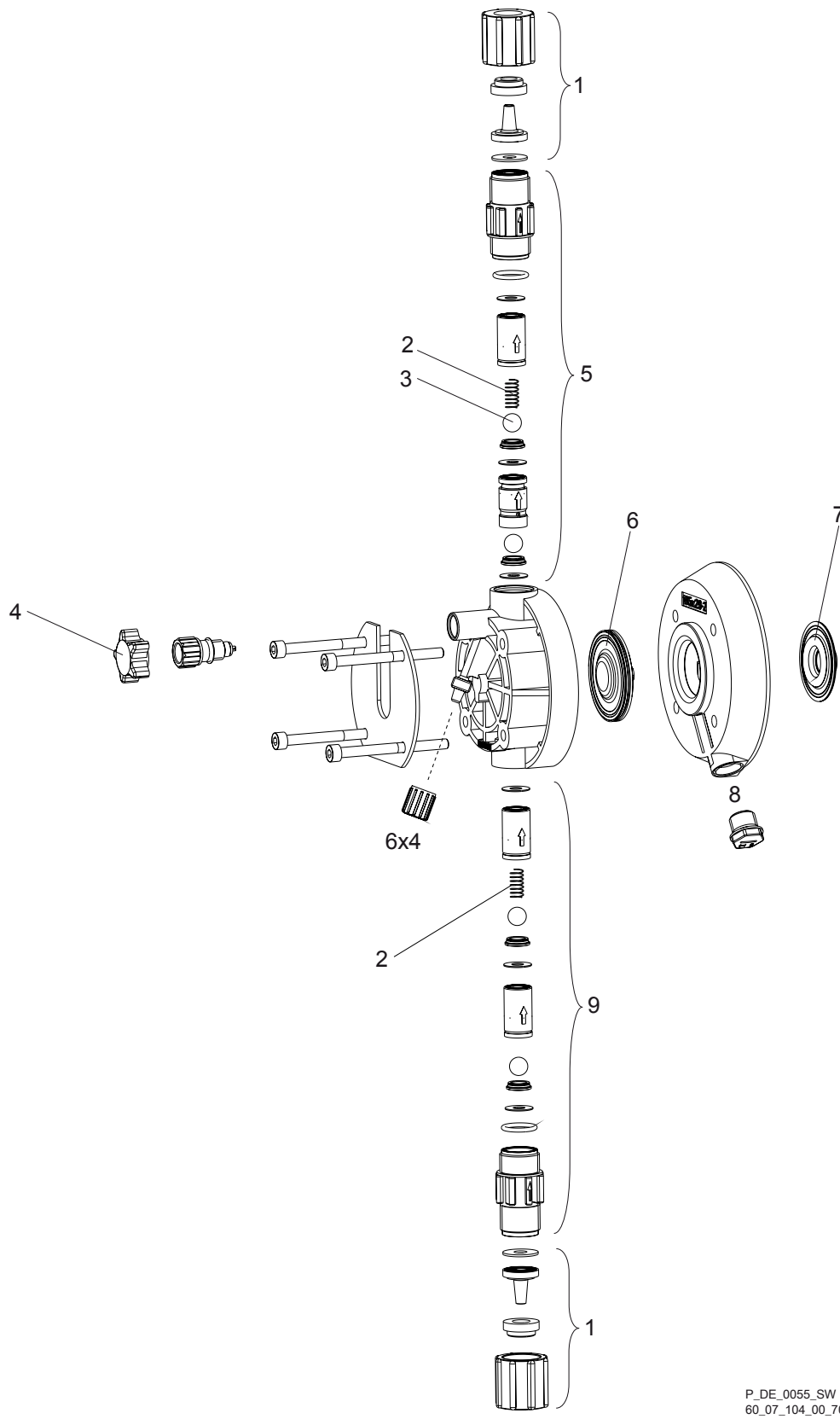
P_DE_0054_SW
60_07_104_00_79_04_2

Exploded view drawings

Item.	Description	Type 1608/2508
1	Connector kit 8/5 PCE	1023247
3	4 Valve balls	404201
4	Bleed valve	1021662
5	Discharge valve, compl. 4.7-2 PVT	1023127
6	Diaphragm	1030353
7	Safety diaphragm	1027414
8	Diaphragm rupture reporter*	1027416
9	Suction valve, compl. 4.7-2 PVT	1023128

Spring (item 2) and diaphragm rupture reporter (item 8) are accessories. The items listed are included in the spare parts kit, excluding the diaphragm rupture reporter. Technical changes reserved.

Liquid end delta® 1612 - 0730 PV



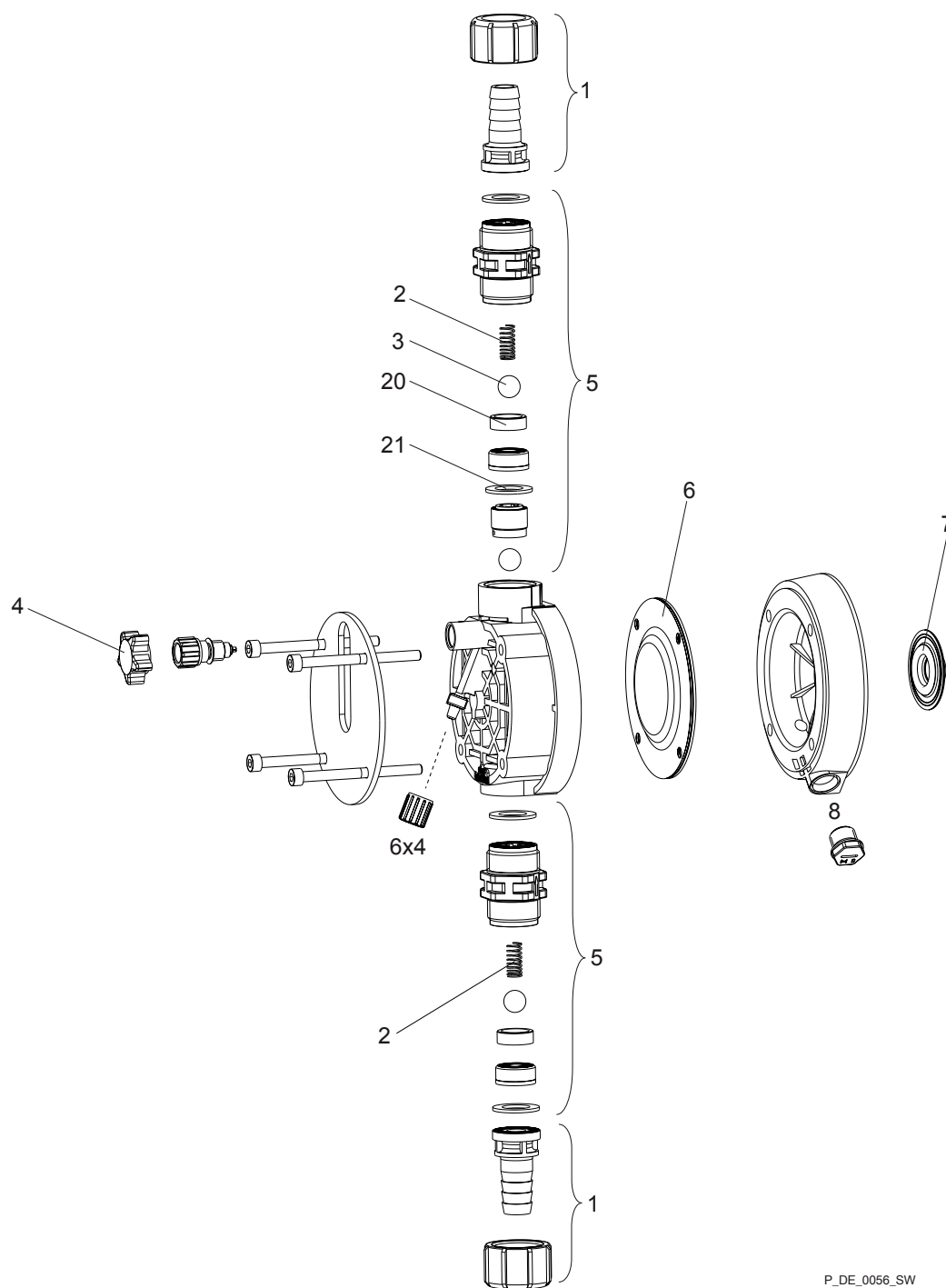
P_DE_0055_SW
60_07_104_00_70_04_2

Exploded view drawings

Item.	Description	1612	1020	0730
1	Connector kit 12/9 PVT	1023248	1023248	1023248
	Connector kit 8/5 PVT	1023247	1023247	1023247
3	2 Valve balls	404281	404281	404281
5	Discharge valve compl. PVT	1023125	1023125	1023125
6	Diaphragm	1000248	1000249	1000250
7	Safety diaphragm	1027414	1027414	1027414
8	Diaphragm rupture reporter*	1027416	1027416	1027416
9	Suction valve compl. PVT	1023126	1023126	1023126
	Suction valve compl. PVT	1021662	1021662	1021662

Spring (item 2) and diaphragm rupture reporter (item 8) are accessories. The items listed are included in the spare parts kit, excluding the diaphragm rupture reporter. Technical changes reserved.

Liquid end delta® 0450 - 0280 PV



P_DE_0056_SW
60_07_104_00_71_04_2

Item.	Description	0450	0280
1	Connector kit DN10 PPT	1027072	1027072
	Connector kit DN10 PVT	1027091	1027091
	Connector kit DN10 PCT	1027092	1027092
	Connector kit DN10 PVT	1017405	1017405
3	2 Valve balls	404277	404277

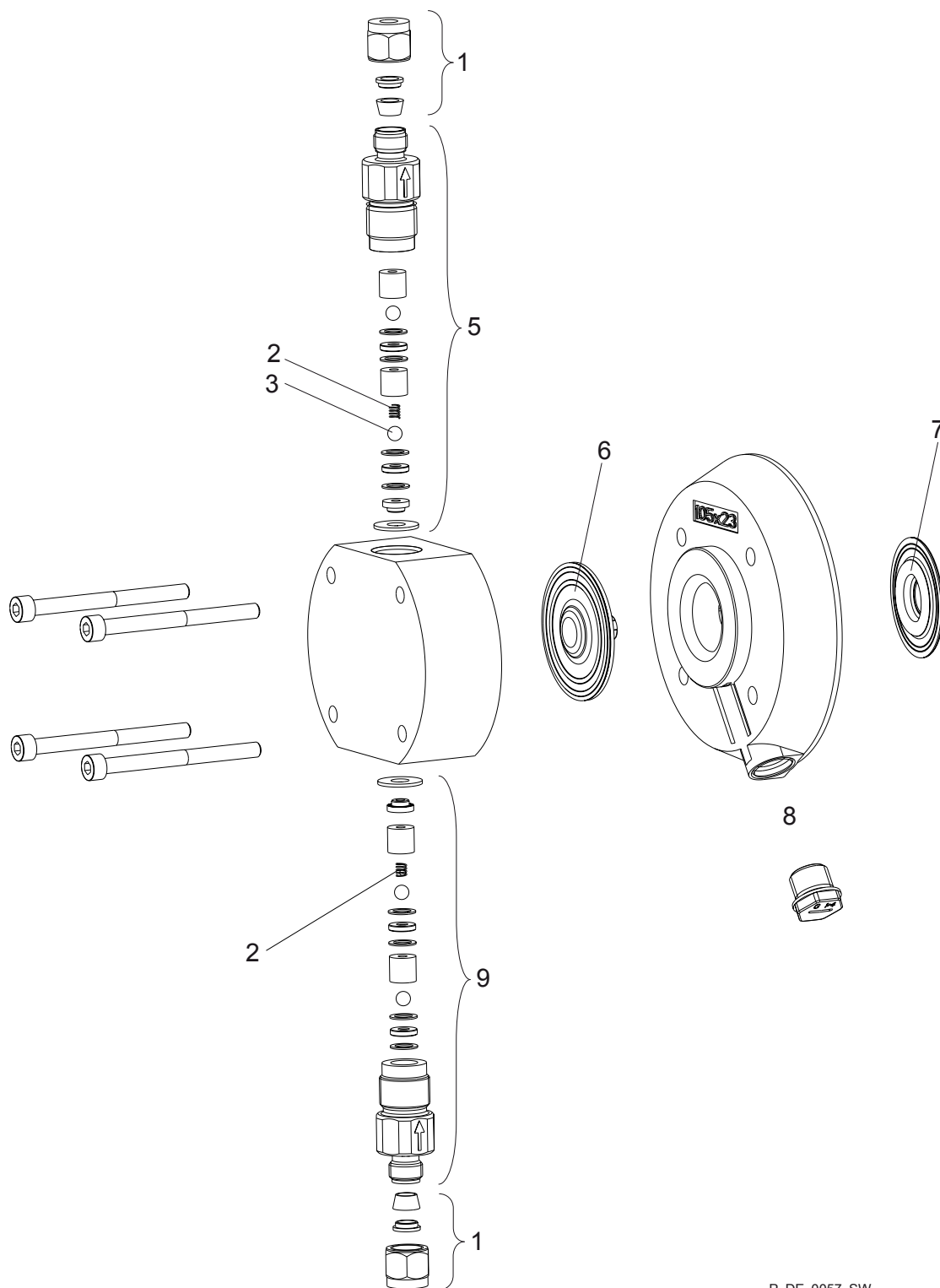
Spring (item 2) and diaphragm rupture reporter (item 8) are accessories. The items listed are included in the spare parts kit, excluding the diaphragm rupture reporter. Technical changes reserved.

Exploded view drawings

Item.	Description	0450	0280
5	Valve compl. PVT	1002267	1002267
6	Diaphragm	1000251	1025075
7	Safety diaphragm	1027414	1027414
8	Diaphragm rupture reporter*	1027416	1027416
20	Ball seat disc PTFE	740063	740063
21	Shaped composite seal	1019364	1019364

Spring (item 2) and diaphragm rupture reporter (item 8) are accessories. The items listed are included in the spare parts kit, excluding the diaphragm rupture reporter. Technical changes reserved.

Liquid end delta® 2508 SS



P_DE_0057_SW
60_07_104_00_80_04_2

Item.	Description	Type 2508
1	Connector kit 6 mm SS	104233
3	4 Valve balls	404201

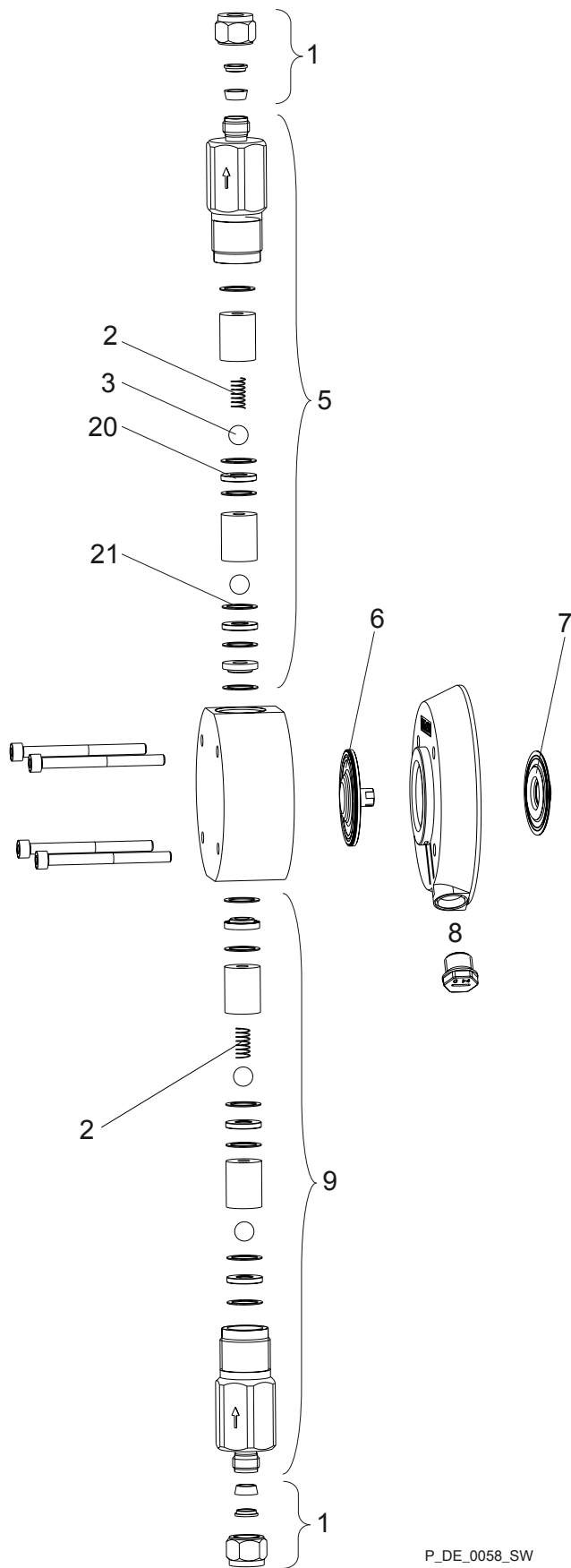
Spring (item 2) and diaphragm rupture reporter (item 8) are accessories. The items listed are included in the spare parts kit, excluding the diaphragm rupture reporter. Technical changes reserved.

Exploded view drawings

Item.	Description	Type 2508
5	Discharge valve compl. 6 mm SS	809418
6	Diaphragm	1030353
7	Safety diaphragm	1027414
8	Diaphragm rupture reporter*	1027416
9	Suction valve compl. 6 mm SS	809419

Spring (item 2) and diaphragm rupture reporter (item 8) are accessories. The items listed are included in the spare parts kit, excluding the diaphragm rupture reporter. Technical changes reserved.

Liquid end delta® 1612 - 0730 SS



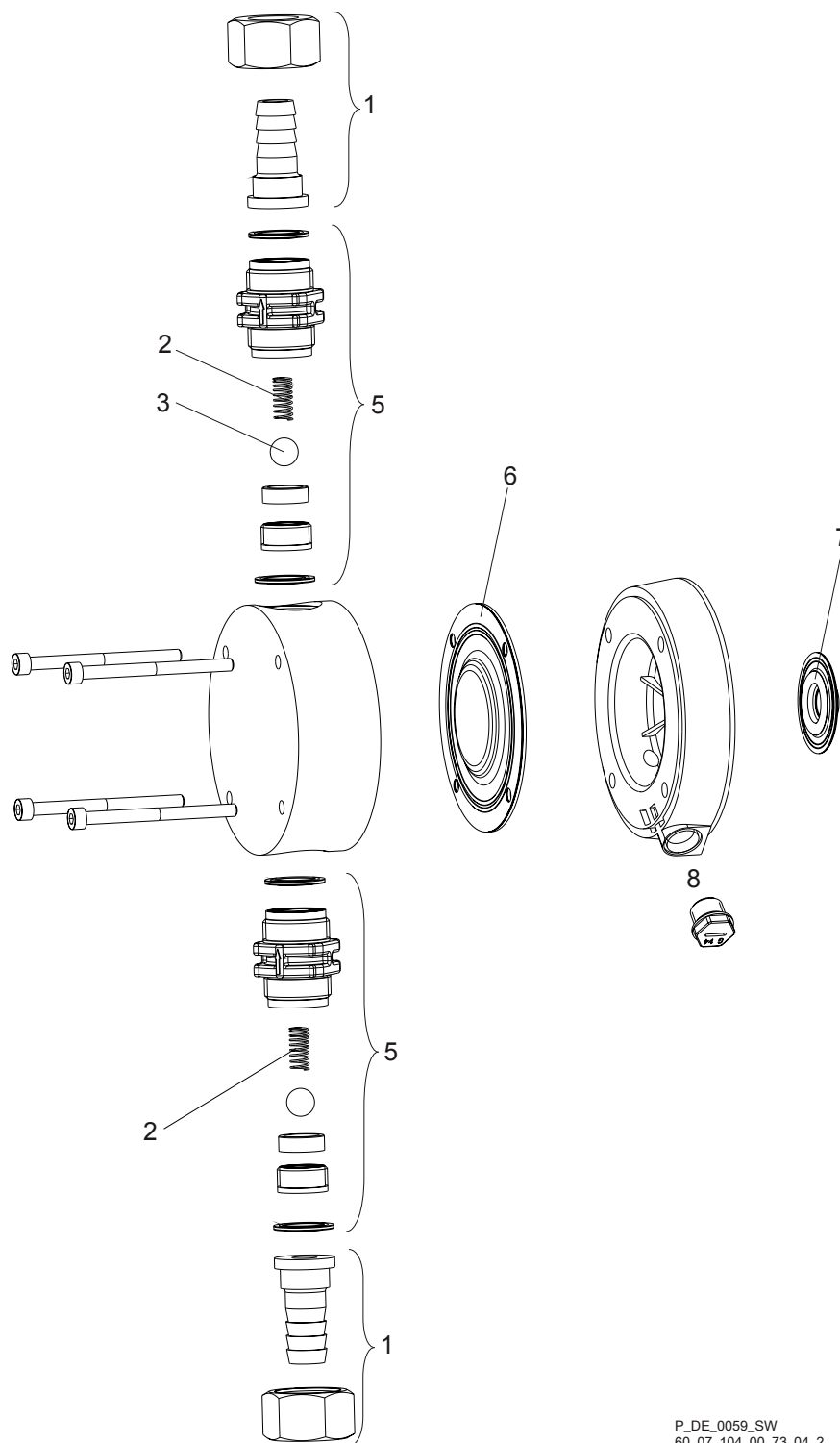
P_DE_0058_SW
60_07_104_00_72_04_2

Exploded view drawings

Item.	Description	1612	1020	0730
1	Connector kit 8/7 SS	104237	-	-
	Connector kit 12/10 SS	-	104245	104245
3	4 Valve balls	404281	404281	404281
5	Discharge valve compl. SS	809494	809446	809446
6	Diaphragm	1000248	1000249	1000250
7	Safety diaphragm	1027414	1027414	1027414
8	Diaphragm rupture reporter*	1027416	1027416	1027416
9	Suction valve compl. SS	809495	809447	809447
20	4 ball seat discs	1005178	1005178	1005178
21	12 flat seals	483975	483975	483975

Spring (item 2) and diaphragm rupture reporter (item 8) are accessories. The items listed are included in the spare parts kit, excluding the diaphragm rupture reporter. Technical changes reserved.

Liquid end delta® 0450 - 0280 SS



P_DE_0059_SW
60_07_104_00_73_04_2

Item.	Description	0450	0280
1	Connector kit with tube nozzle DN10 SST	1027094	1027094
	Connector kit with insert DN10 PVT	1027093	1027093
3	2 Valve balls	404243	404243

Spring (item 2) and diaphragm rupture reporter (item 8) are accessories. The items listed are included in the spare parts kit, excluding the diaphragm rupture reporter. Technical changes reserved.

Exploded view drawings

Item.	Description	0450	0280
5	2 valves compl. d16/DN10 SST	809459	809459
6	Diaphragm	1000251	1025075
7	Safety diaphragm	1027414	1027414
8	Diaphragm rupture reporter*	1027416	1027416

Spring (item 2) and diaphragm rupture reporter (item 8) are accessories. The items listed are included in the spare parts kit, excluding the diaphragm rupture reporter. Technical changes reserved.

1 Further order information

Spare parts kits for SER types

Type	PVT7
1608	1047831
1612	1047832
1020	1047833
0730	1047837

Spare parts kits

Type	NPE	NPB	PV_	SS_
2508	1030620	1030611	-	1030226
1608	1030620	1030611	1030225	-
1612	1030536	1030525	1027081	1027086
1020	1030537	1030526	1027082	1027087
0730	1030621	1030612	1027083	1027088
0450	-	-	1027084	1027089
0280	-	-	1027085	1027090

Sealing sets

Type	NPE	NPB	PV_	SST	SSE	SSB
2508	1001775	1001773	-	483907	-	-
1608	1001775	1001773	1023130	-	-	-
1612, 1020, 0730	1001776	1001774	1023129	-	1001776	1001774
0450, 0280	-	-	1024159	-	1001776	1001774

Interference suppression aids

Product	Part no.
Varistor:	710912
RC Gate, 0.22 μ F / 220 Ω :	710802

Further sources of information

Further information on spare parts, accessories and options can be found in:

- the exploded drawings
- the identity code
- at www.prominent.com
- the **ProMinent** product catalogue