

Exploded Views of Liquid Ends

1 Exploded Views of Liquid Ends

Liquid end gamma/ L 1000 - 1005
(1605) PP with bleed valve

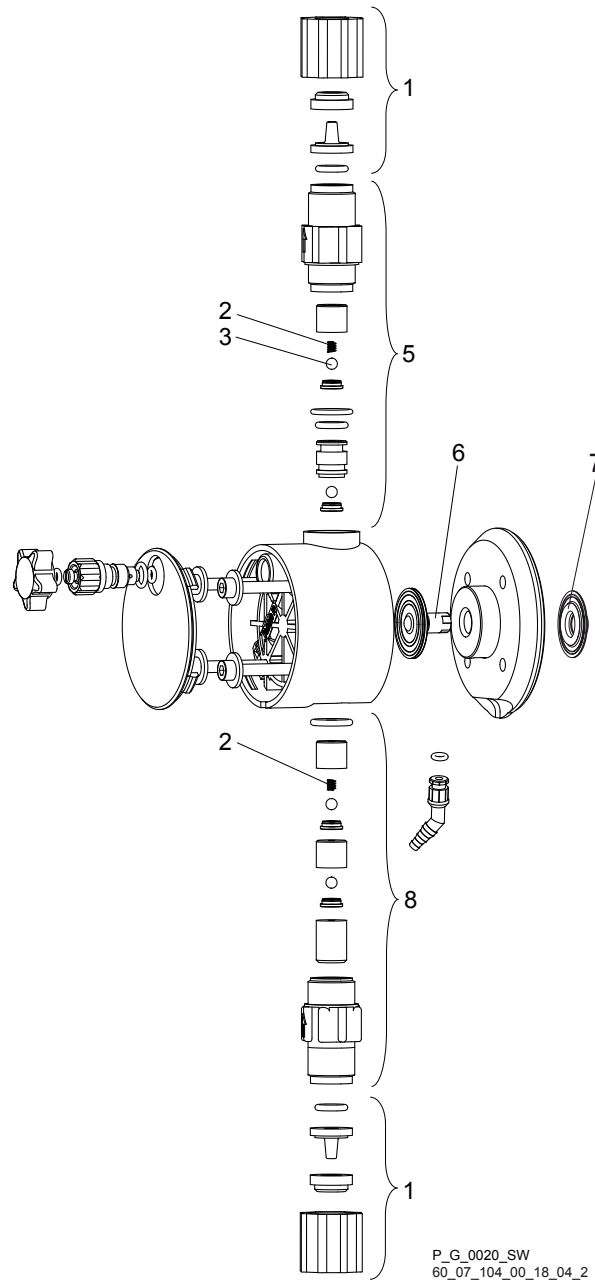


Fig. 1: Liquid end gamma/L 1000 - 1005 (1605) PP with bleed valve

Item	Description	Type 1000	Type 1601	Type 1602	Type 1005
1	Connector kit 6/4 PPE	817150	817150	817150	-
1	Connector kit 8/5 PPE	-	-	-	817153
1	Connector kit 6/4 PPB	817166	817166	817166	-
1	Connector kit 8/5 PPB	-	-	-	817167
3	4 Valve balls	404201	404201	404201	404201

Spring (item 2) is a special accessory. The positions listed are included in the spare parts kit. Technical changes reserved.

Item	Description	Type 1000	Type 1601	Type 1602	Type 1005
4	Bleed valve	1021662	1021662	1021662	1021662
5	Discharge valve compl. PPE	740350	740350	740350	740350
5	Discharge valve compl. PPB	740351	740351	740351	740351
6	Diaphragm	1000244	1000245	1000246	1000247
7	Safety diaphragm	1027414	1027414	1027414	1027414
8	Suction valve compl. PPE	792644	792644	792644	792644
8	Suction valve compl. PPB	792646	792646	792646	792646

Spring (item 2) is a special accessory. The positions listed are included in the spare parts kit. Technical changes reserved.

Liquid end gamma/ L 0708(1008) - 0220 (0420) PP with bleed valve

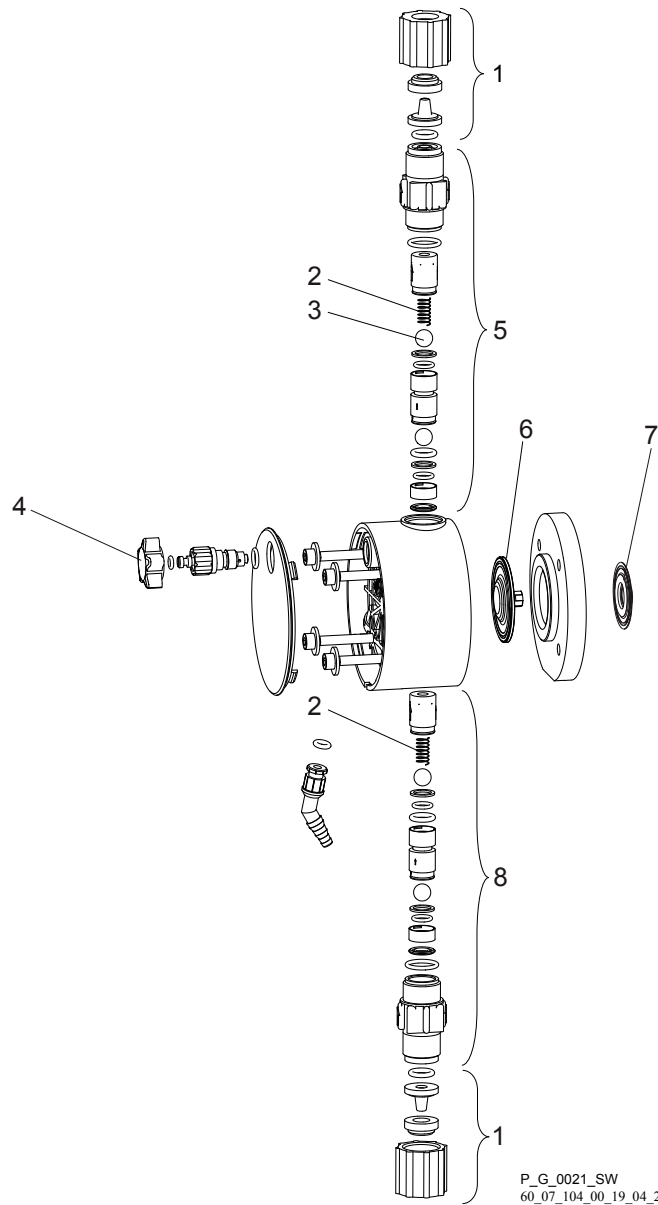


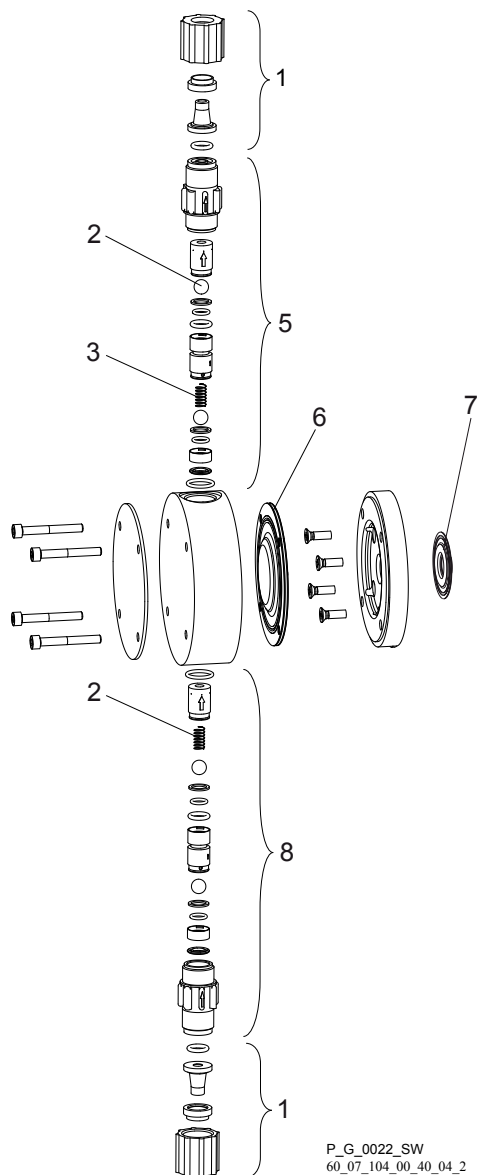
Fig. 2: Liquid end gamma/ L 0708(1008) - 0220 (0420) PP with bleed valve

Exploded Views of Liquid Ends

Item	Description	Type 0708 (1008)	Type 0413 (0713)	Type 0220 (0420)
1	Connector kit 8/5 PPE	817153	817153	-
1	Connector kit 12/9 PPE	-	-	817151
1	Connector kit 8/5 PPB	817167	817167	-
1	Connector kit 12/9 PPB	-	-	817168
3	4 Valve balls	404281	404281	404281
4	Bleed valve	1021662	1021662	1021662
5	Discharge valve compl. PPE	1001441	1001441	1001441
5	Discharge valve compl. PPB	1001440	1001440	1001440
6	Diaphragm	1000248	1000249	1000250
7	Safety diaphragm	1027414	1027414	1027414
8	Suction valve compl. PPE	1001437	1001437	1001437
8	Suction valve compl. PPE	1001436	1001436	1001436

Spring (item 2) is a special accessory. The positions listed are included in the spare parts kit. Technical changes reserved.

Liquid end gamma/ L 0232 PP without bleed valve



P_G_0022_SW
60_07_104_00_40_04_2

Fig. 3: Liquid end gamma/ L 0232 PP without bleed valve

Item	Description	Type 0232
1	Connector kit 12/9 PPE	817151
1	Connector kit 12/9 PPB	817168
3	4 Valve balls	404281
5	Discharge valve compl. PPE	1001441
5	Discharge valve compl. PPB	1001440
6	Diaphragm	1000251
7	Safety diaphragm	1027414

Spring (item 2) is a special accessory. The positions listed are included in the spare parts kit. Technical changes reserved.

Exploded Views of Liquid Ends

Item	Description	Type 0232
8	Suction valve compl. PPE	1001437
8	Suction valve compl. PPB	1001436

Spring (item 2) is a special accessory. The positions listed are included in the spare parts kit. Technical changes reserved.

Liquid end gamma/ L 1000 - 1005
(1605) NP with and without bleed
valve

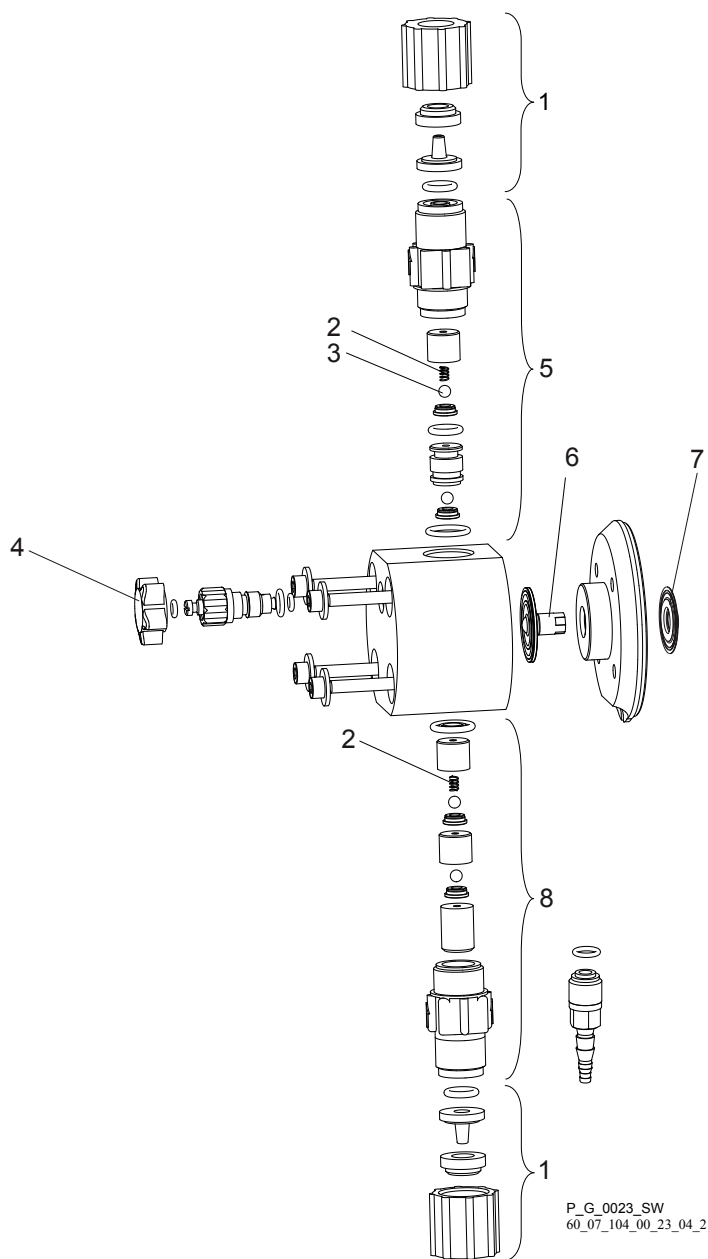


Fig. 4: Liquid end gamma/ L 1000 - 1005 (1605) NP with and without bleed valve

Item	Description	Type 1000	Type 1601	Type 1602	Type 1005
1	Connector kit 6/4 PCE	817060	817060	817060	-
1	Connector kit 8/5 PCE	-	-	-	817048
1	Connector kit 6/4 PCB	817050	817050	817050	-
1	Connector kit 8/5 PCB	-	-	-	817053
3	4 Valve balls	404201	404201	404201	404201
4	Bleed valve	1021662	1021662	1021662	1021662

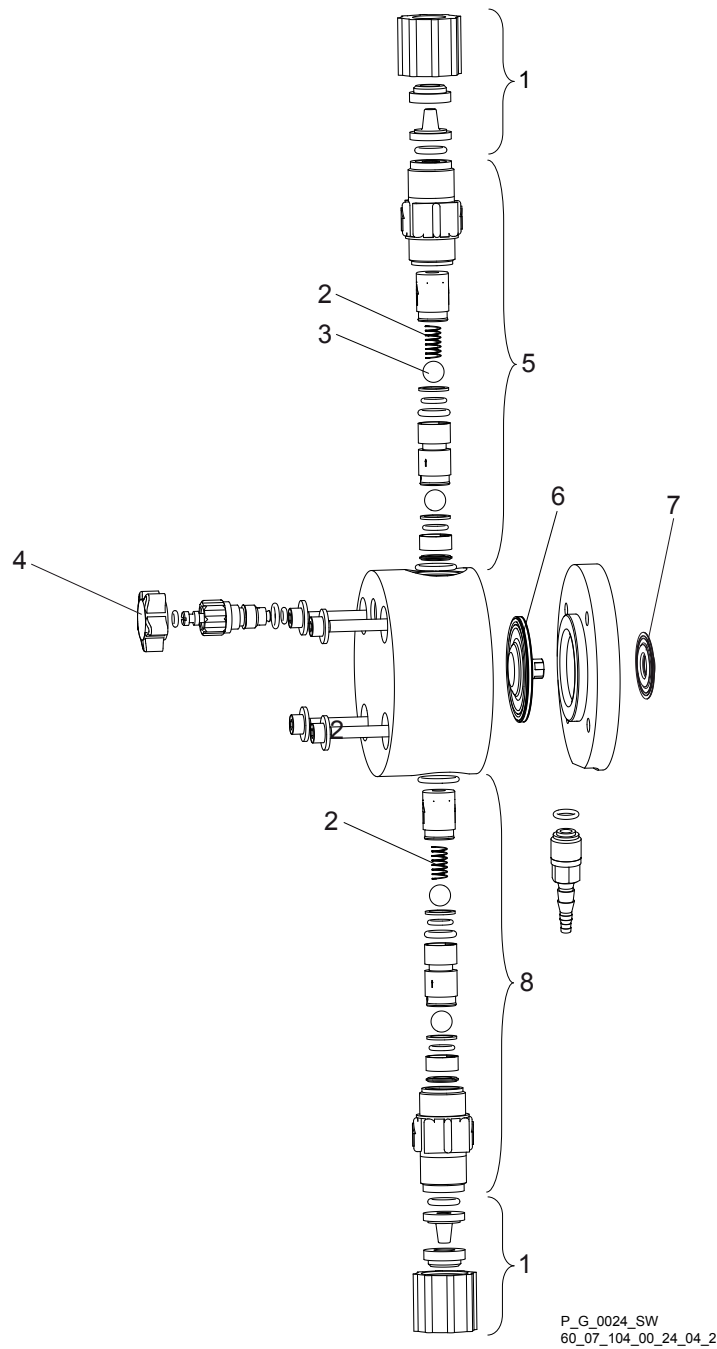
Spring (item 2) is a special accessory. The positions listed are included in the spare parts kit. Technical changes reserved.

Exploded Views of Liquid Ends

Item	Description	Type 1000	Type 1601	Type 1602	Type 1005
5	Discharge valve compl. PCE	740349	740349	740349	740349
5	Discharge valve compl. PCE	740348	740348	740348	740348
6	Diaphragm	1000244	1000245	1000246	1000247
7	Safety diaphragm	1027414	1027414	1027414	1027414
8	Suction valve compl. PCE	792119	792119	792119	792119
8	Suction valve compl. PCE	792026	792026	792026	792026

Spring (item 2) is a special accessory. The positions listed are included in the spare parts kit. Technical changes reserved.

Liquid end gamma/ L 0708 (1008) - 0220 (0420) NP with and without bleed valve



P_G_0024_SW
60_07_104_00_24_04_2

Fig. 5: Liquid end gamma/ L 0708 (1008) - 0220 (0420) NP with and without bleed valve

Item	Description	Type 0708 (1008)	Type 0413 (0713)	Type 0220 (0420)
1	Connector kit 8/5 PCE	817048	817048	-
1	Connector kit 12/9 PCE	-	-	817049
1	Connector kit 8/5 PCB	817053	817053	-
1	Connector kit 12/9 PCB	-	-	817051

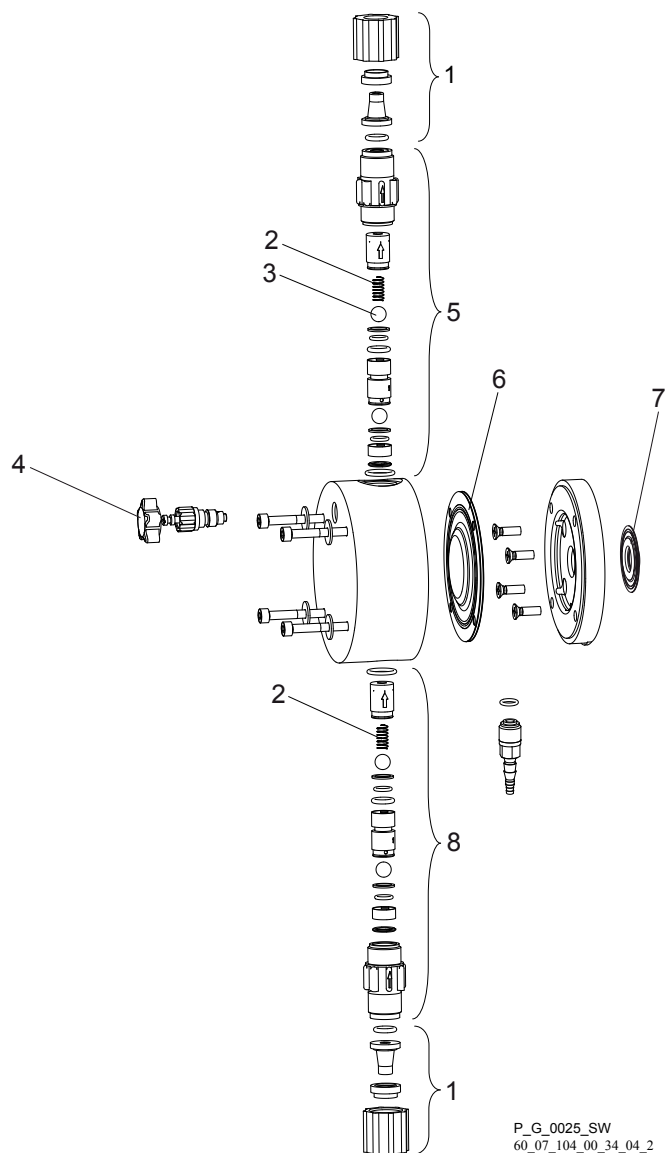
Spring (item 2) is a special accessory. The positions listed are included in the spare parts kit. Technical changes reserved.

Exploded Views of Liquid Ends

Item	Description	Type 0708 (1008)	Type 0413 (0713)	Type 0220 (0420)
3	4 Valve balls	404281	404281	404281
4	Bleed valve	1021662	1021662	1021662
5	Discharge valve compl. PCE	1001439	1001439	1001439
5	Discharge valve compl. PCB	1001438	1001438	1001438
6	Diaphragm	1000248	1000249	1000250
7	Safety diaphragm	1027414	1027414	1027414
8	Suction valve compl. PCE	1001435	1001435	1001435
8	Suction valve compl. PCB	1001434	1001434	1001434

Spring (item 2) is a special accessory. The positions listed are included in the spare parts kit. Technical changes reserved.

Liquid end gamma/ L 0232 NP with and without bleed valve



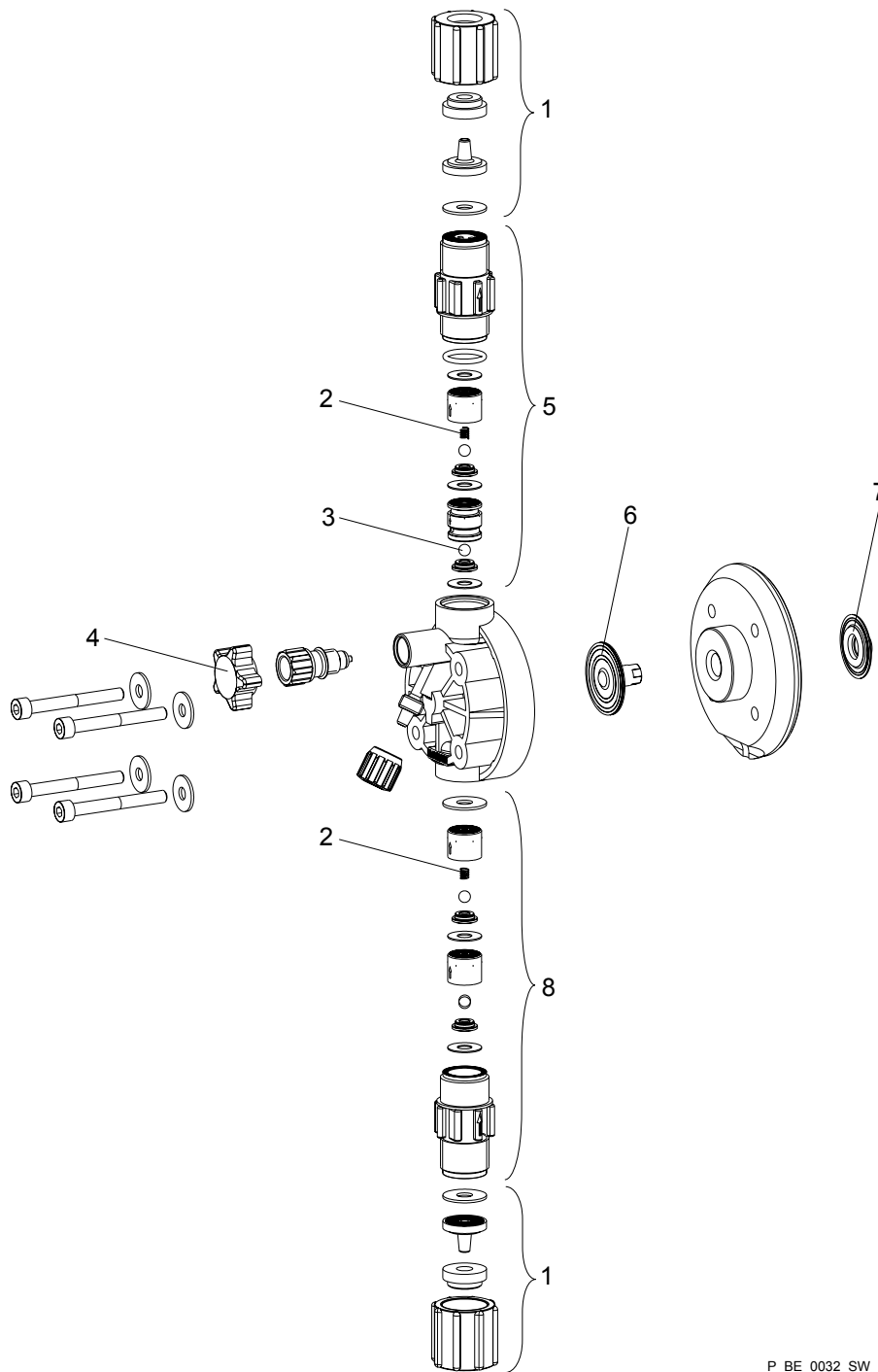
P_G_0025_SW
60_07_104_00_34_04_2

Fig. 6: Liquid end gamma/ L 0232 NP with and without bleed valve

Item	Description	Type 0232
1	Connector kit 12/9 PCE	817049
1	Connector kit 12/9 PCB	817051
3	4 Valve balls	404281
5	Discharge valve compl. PCE	1001439
5	Discharge valve compl. PCE	1001438
6	Diaphragm	1000251
7	Safety diaphragm	1027414
8	Suction valve compl. PCE	1001435
8	Suction valve compl. PCE	1001434

Spring (item 2) is a special accessory. The positions listed are included in the spare parts kit. Technical changes reserved.

Liquid end gamma/ L 1000 - 1005
(1605) PVT with bleed valve



P_BE_0032_SW

Fig. 7: Liquid end gamma/ L 1005 (1605) PVT with bleed valve

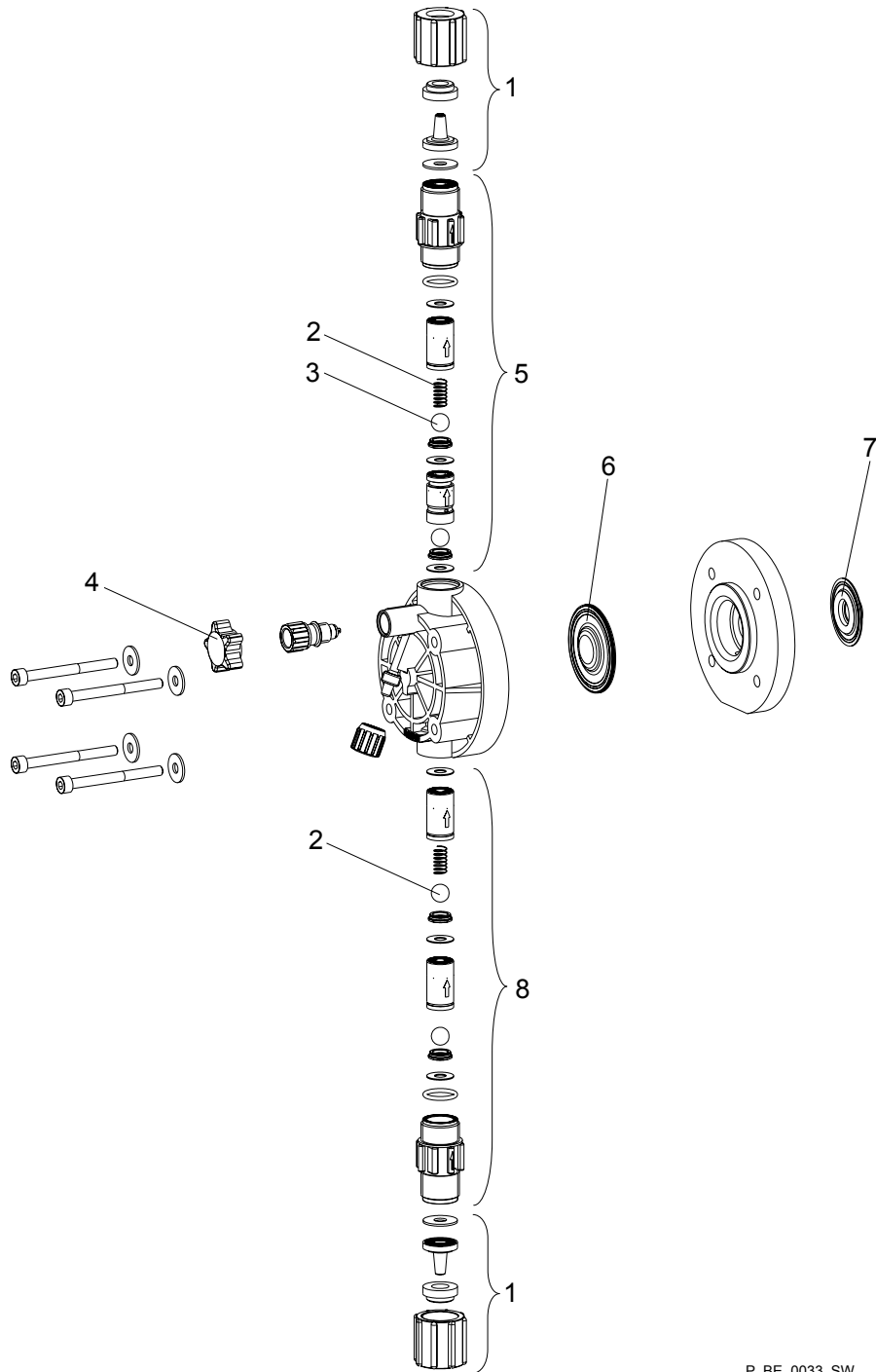
Item	Description	Type 1000	Type 1601	Type 1602	Type 1604
1	Connector kit 6/4 PVT	1023246	1023246	1023246	-
1	Connector kit 8/5 PVT	-	-	-	1023247
3	4 Valve balls	404281	404281	404281	404281

Spring (item 2) is a special accessory. The positions listed are included in the spare parts kit. Technical changes reserved.

Item	Description	Type 1000	Type 1601	Type 1602	Type 1604
4	Bleed valve	1021662	1021662	1021662	1021662
5	Discharge valve, compl. 9.2-2 PVT	1023247	1023247	1023247	1023247
6	Diaphragm	1000244	1000245	1000246	1000247
7	Safety diaphragm	1027414	1027414	1027414	1027414
8	Suction valve, compl. 9.2-2 PVT	1023126	1023126	1023126	1023126

Spring (item 2) is a special accessory. The positions listed are included in the spare parts kit. Technical changes reserved.

Liquid end gamma/ L 0708(1008) - 0220 (0420) PV with bleed valve



P_BE_0033_SW

Fig. 8: Liquid end gamma/ L 0708(1008) - 0220 (0420) PV with bleed valve

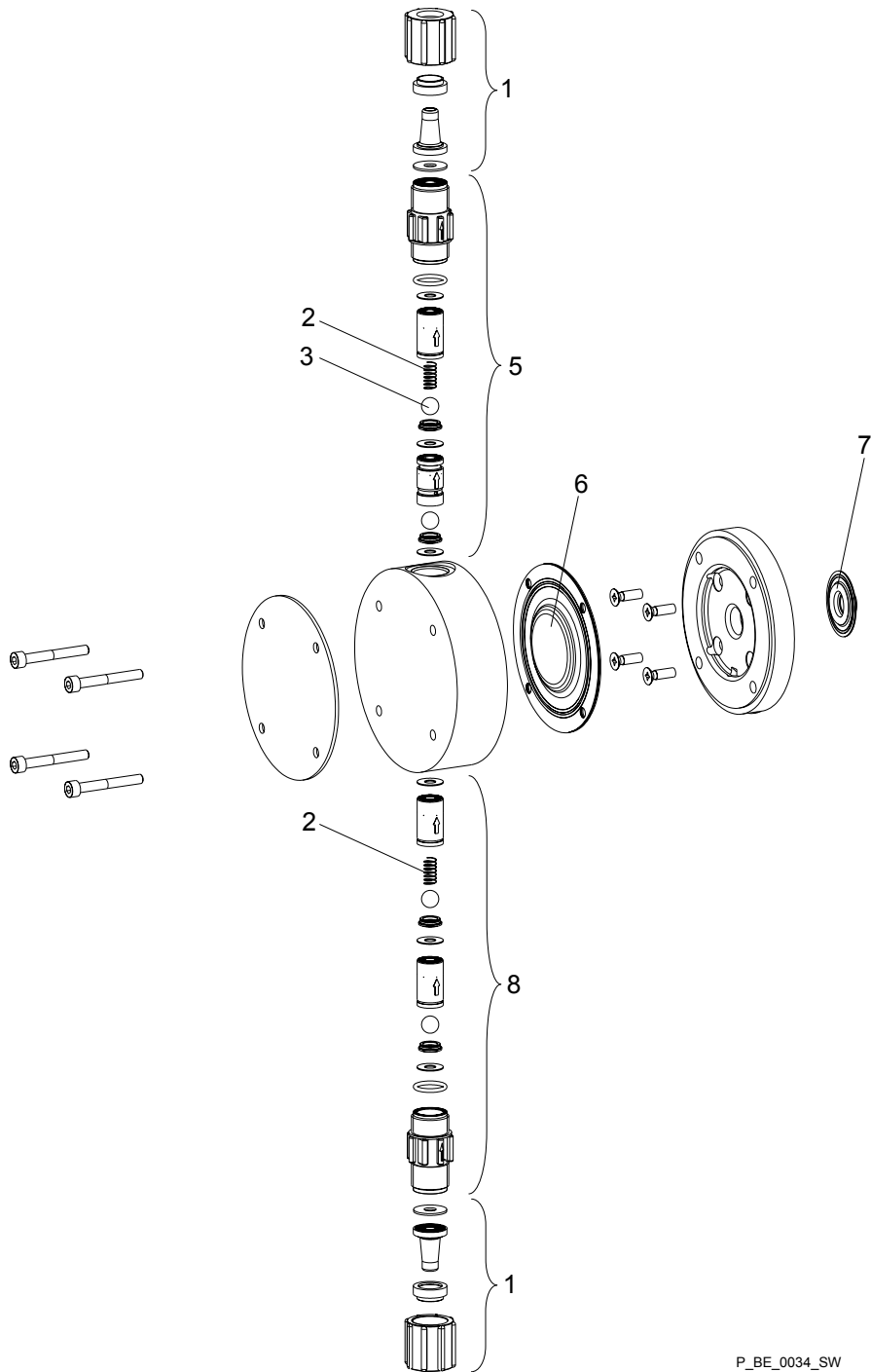
Item	Description	Type 0708 (1008)	Type 0413 (0713)	Type 0220 (0420)
1	Connector kit 8/5 PVT	1023247	1023247	-
1	Connector kit 12/9 PVT	-	-	1023248
3	4 Valve balls	404281	404281	404281

Spring (item 2) is a special accessory. The positions listed are included in the spare parts kit. Technical changes reserved.

Item	Description	Type 0708 (1008)	Type 0413 (0713)	Type 0220 (0420)
4	Bleed valve	1021662	1021662	1021662
5	Discharge valve, compl. 9.2-2 PVT	1023125	1023125	1023125
6	Diaphragm	1000248	1000249	1000250
7	Safety diaphragm	1027414	1027414	1027414
8	Suction valve, compl. 9.2-2 PVT	1023126	1023126	1023126

Spring (item 2) is a special accessory. The positions listed are included in the spare parts kit. Technical changes reserved.

Liquid end gamma/ L 0232 PV without bleed valve



P_BE_0034_SW

Fig. 9: Liquid end gamma/ L 0232 PV without bleed valve

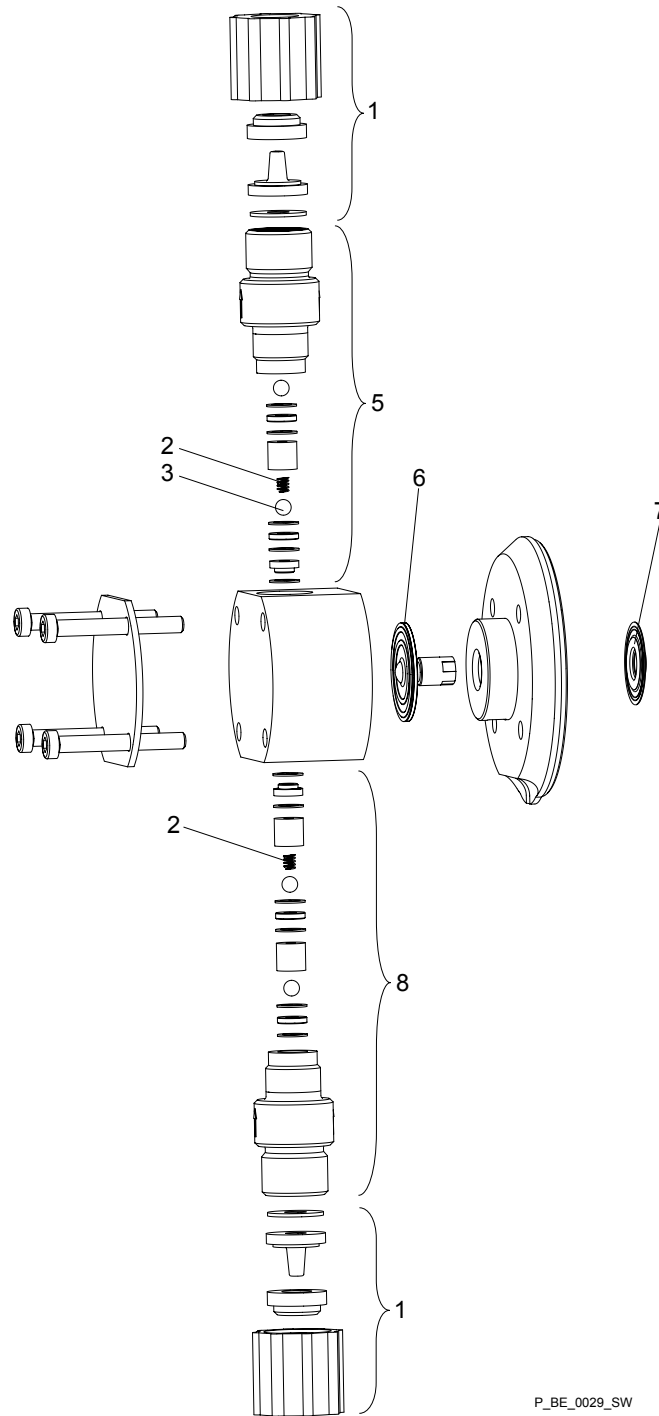
Item	Description	Type 0232
1	Connector kit 12/9 PVT	1023248
3	4 Valve balls	404281
5	Discharge valve, compl. 9.2-2 PVT	1023125

Spring (item 2) is a special accessory. The positions listed are included in the spare parts kit. Technical changes reserved.

Item	Description	Type 0232
6	Diaphragm	1000251
7	Safety diaphragm	1027414
8	Suction valve, compl. 9.2-2 PVT	1023126

Spring (item 2) is a special accessory. The positions listed are included in the spare parts kit. Technical changes reserved.

Liquid end gamma/ L 1000 - 1005
(1605) TT



P_BE_0029_SW

Fig. 10: Liquid end gamma/ L 1000 - 1005 (1605) TT

Item	Description	Type 1000	Type 1601	Type 1602	Type 1005
1	Connector kit 6/4 TTT	817201	817201	817201	-
1	Connector kit 8/5 TTT	-	-	-	817204
3	4 Valve balls	404201	404201	404201	404201

Spring (item 2) is a special accessory. The positions listed are included in the spare parts kit. Technical changes reserved.

Item	Description	Type 1000	Type 1601	Type 1602	Type 1005
5	Discharge valve compl. TTT	809406	809406	809406	809406
6	Diaphragm	1000244	1000245	1000246	1000247
7	Safety diaphragm	1027414	1027414	1027414	1027414
8	Suction valve compl. TTT	809407	809407	809407	809407

Spring (item 2) is a special accessory. The positions listed are included in the spare parts kit. Technical changes reserved.

Liquid end gamma/ L 0708 (1008) - 0220 (0420) TT

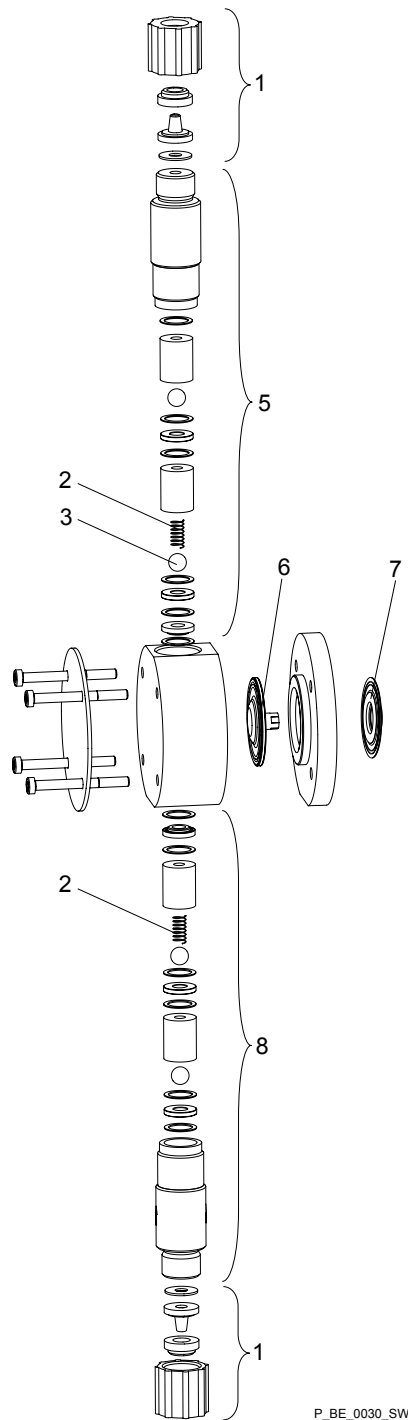


Fig. 11: Liquid end gamma/ L 0708 (1008) - 0220 (0420) TT

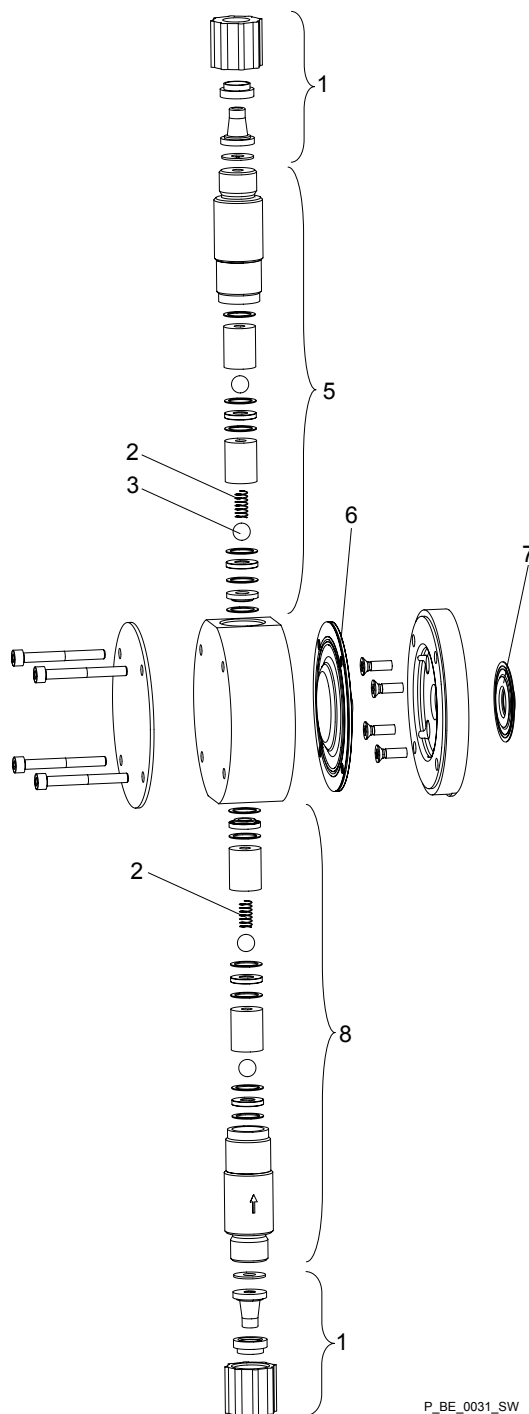
Item	Description	Type 0708 (1008)	Type 0413 (0713)	Type 0220 (0420)
1	Connector kit 8/5 TTT	817204	817204	-
1	Connector kit 12/9 TTT	-	-	817202
3	4 Valve balls	404281	404281	404281

Spring (item 2) is a special accessory. The positions listed are included in the spare parts kit. Technical changes reserved.

Item	Description	Type 0708 (1008)	Type 0413 (0713)	Type 0220 (0420)
5	Discharge valve compl. TTT	809444	809444	809444
6	Diaphragm	1000248	1000249	1000250
7	Safety diaphragm	1027414	1027414	1027414
8	Suction valve compl. TTT	809445	809445	809445

Spring (item 2) is a special accessory. The positions listed are included in the spare parts kit. Technical changes reserved.

Liquid end gamma/ L 0232 TT



P_BE_0031_SW

Fig. 12: Liquid end gamma/ L 0232 TT

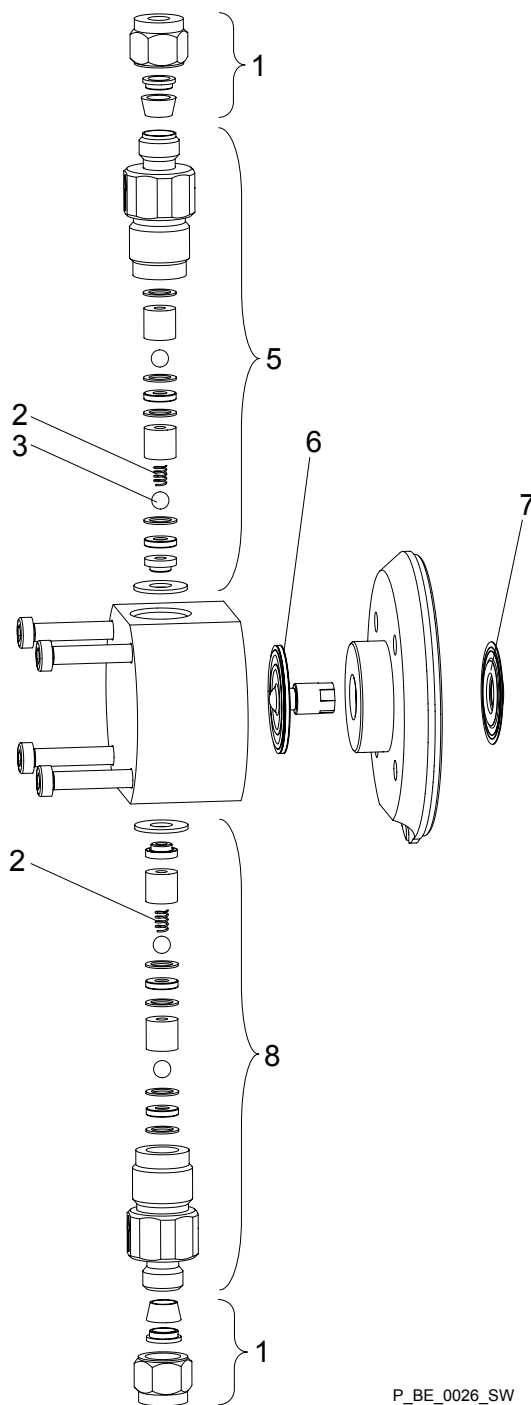
Item	Description	Type 0232
1	Connector kit 12/9 TTT	817202
3	4 Valve balls	404281
5	Discharge valve compl. TTT	809444
6	Diaphragm	1000251

Spring (item 2) is a special accessory. The positions listed are included in the spare parts kit. Technical changes reserved.

Item	Description	Type 0232
7	Safety diaphragm	1027414
8	Suction valve compl. TTT	809445

Spring (item 2) is a special accessory. The positions listed are included in the spare parts kit. Technical changes reserved.

Liquid end gamma/ L 1000 - 1005
(1605) SS



P_BE_0026_SW

Fig. 13: Liquid end gamma/ L 1000 - 1005 (1605) SS

Item	Description	Type 1000	Type 1601	Type 1602	Type 1005
1	Connector kit 6 mm SS	104233	104233	104233	104233
3	4 Valve balls	404201	404201	404201	404201
5	Discharge valve compl. 6 mm SST	809418	809418	809418	809418

Spring (item 2) is a special accessory. The positions listed are included in the spare parts kit. Technical changes reserved.

Item	Description	Type 1000	Type 1601	Type 1602	Type 1005
6	Diaphragm	1000244	1000245	1000246	1000247
7	Safety diaphragm	1027414	1027414	1027414	1027414
8	Suction valve compl. 6 mm SST	809419	809419	809419	809419

Spring (item 2) is a special accessory. The positions listed are included in the spare parts kit. Technical changes reserved.

Liquid end gamma/ L 0708 (1008) - 0220 (0420) SS

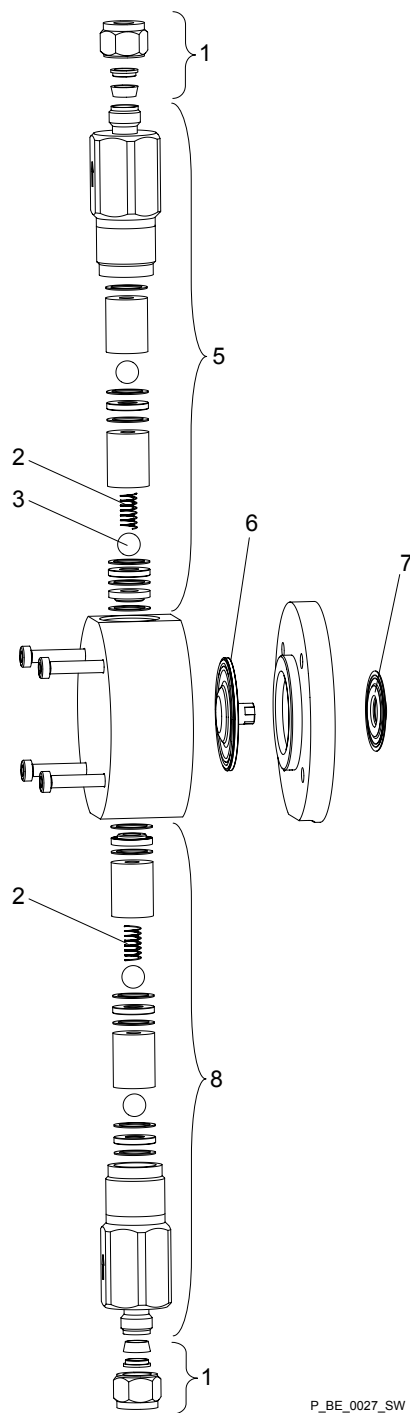


Fig. 14: Liquid end gamma/ L 0708 (1008) - 0220 (0420) SS

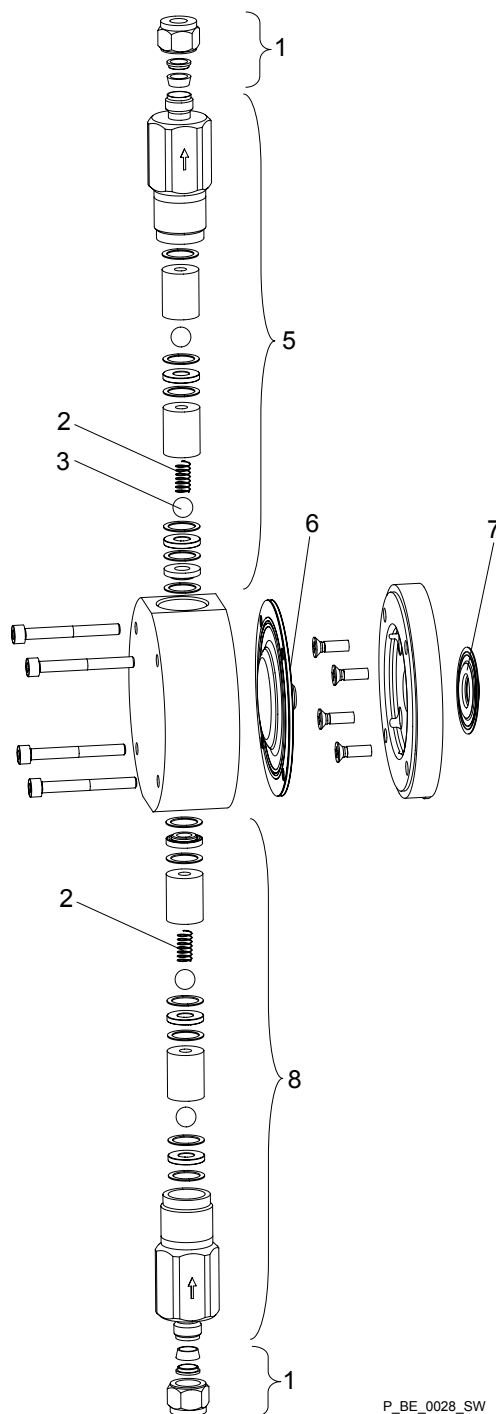
Item	Description	Type 0708 (1008)	Type 0413 (0713)	Type 0220 (0420)
1	Connector kit 8 mm SS	104237	104237	-
1	Connector kit 12 mm SS	-	-	104245
3	4 Valve balls	404281	404281	404281

Spring (item 2) is a special accessory. The positions listed are included in the spare parts kit. Technical changes reserved.

Item	Description	Type 0708 (1008)	Type 0413 (0713)	Type 0220 (0420)
5	Discharge valve compl. 8 mm SST	809494	809494	-
5	Discharge valve compl. 12 mm SST	-	-	809446
6	Diaphragm	1000248	1000249	1000250
7	Safety diaphragm	1027414	1027414	1027414
8	Suction valve compl. 8 mm SST	809495	809495	-
8	Suction valve compl. 12 mm SST	-	-	809447

Spring (item 2) is a special accessory. The positions listed are included in the spare parts kit. Technical changes reserved.

Liquid end gamma/ L 0232 SS



P_BE_0028_SW

Fig. 15: Liquid end gamma/ L 0232 SS

Item	Description	Type 0232
1	Connector kit 12 mm SS	104245
3	4 Valve balls	404281
5	Discharge valve compl. 12 mm SST	809446
6	Diaphragm	1000251

Spring (item 2) is a special accessory. The positions listed are included in the spare parts kit. Technical changes reserved.

Item	Description	Type 0232
7	Safety diaphragm	1027414
8	Suction valve compl. 12 mm SST	809447

Spring (item 2) is a special accessory. The positions listed are included in the spare parts kit. Technical changes reserved.

Liquid end gamma/ L 1601 - 1005
(1605) PP / NP SEK, self-bleeding

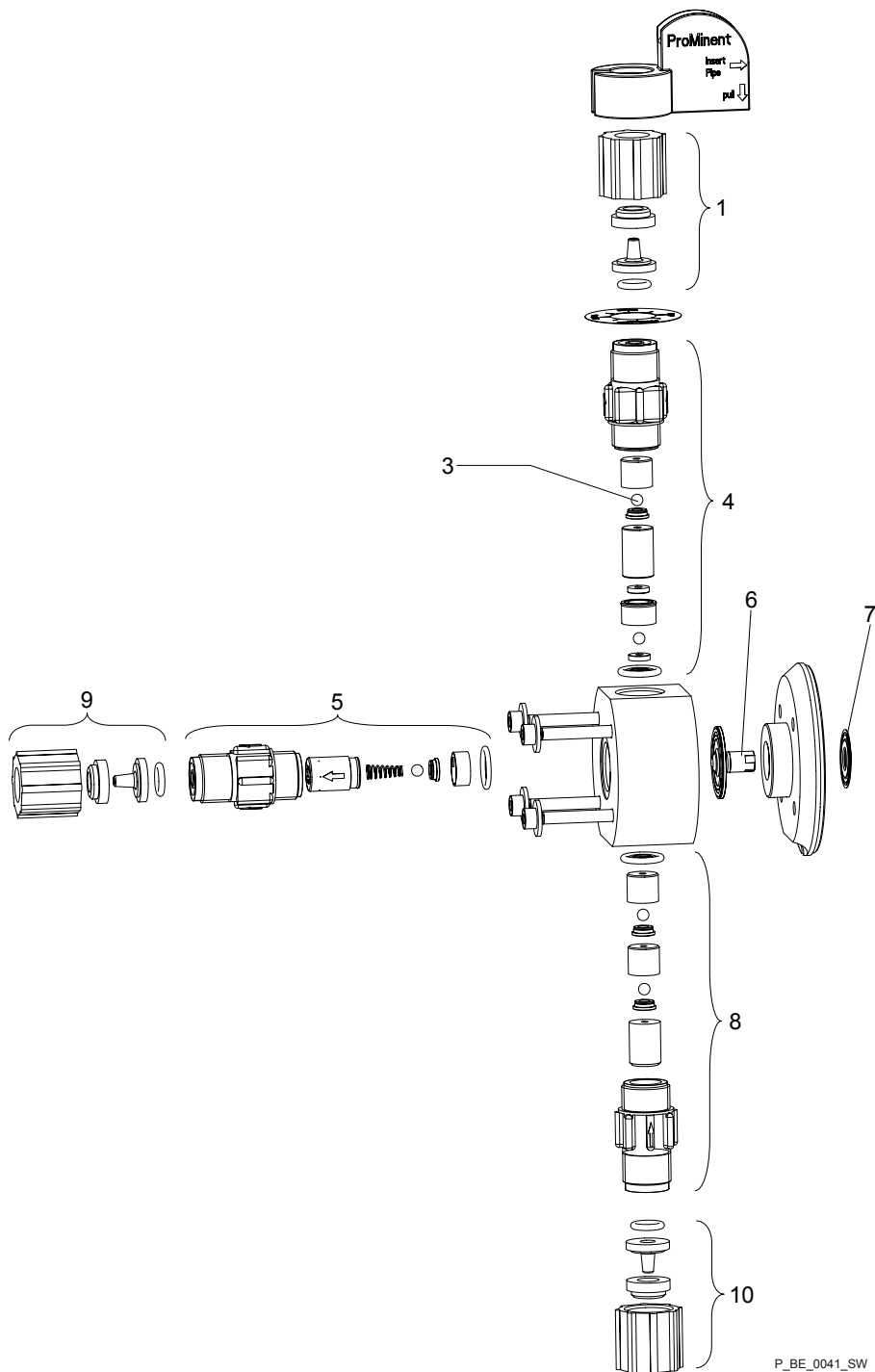


Fig. 16: Liquid end gamma/ L 1601 - 1604 PP / NP SEK, self-bleeding

Item	Part	Material version	Part no.
1, 9, 10	Connector kit 6/4	PPE	817160
1, 9, 10	Connector kit 6/4	PPB	817173
1, 9, 10	Connector kit 6/4	PCE	791161
1, 9, 10	Connector kit 6/4	PCB	817165
9, 10	Connector kit 8/5	PPE	817161

Item	Part	Material version	Part no.
9, 10	Connector kit 8/5	PPB	817174
9, 10	Connector kit 8/5	PCE	792058
9, 10	Connector kit 8/5	PCB	817066
3	4 Valve balls		404201
4	Bleed valve	PPE	1001063
4	Bleed valve	PPB	1001062
4	Bleed valve	PCE	1001061
4	Bleed valve	PCB	1001060
5	Discharge valve compl.	PPE	1001067
5	Discharge valve compl.	PPB	1001066
5	Discharge valve compl.	PCE	1001065
5	Discharge valve compl.	PCB	1001064
6	Diaphragm 1601		1000245
6	Diaphragm 1602		1000246
6	Diaphragm 1604		1000247
7	Safety diaphragm		1027414
8	Suction valve compl.	PPE	792644
8	Suction valve compl.	PPB	792646
8	Suction valve compl.	PCE	792119
8	Suction valve compl.	PCB	792026

Spare parts kits for type:	Material version	Part no.
1601	PPE	1001756
1602	PPE	1001757
1005 (1605)	PPE	1001758
1601	PPB	1001762
1602	PPB	1001763
1005 (1605)	PPB	1001764
1601	NPE	1001660
1602	NPE	1001661
1005 (1605)	NPE	1001662

Spare parts kits for type:	Material version	Part no.
1601	NPB	1001666
1602	NPB	1001667
1005 (1605)	NPB	1001668

Sealing sets	Material	Part no.
1 Sealing set	EPDM	1001674
1 Sealing set	FPM	1001672

The positions listed are included in the spare parts kit.

Technical changes reserved.

Liquid end gamma/ L 0708 (1008) -
0220 (0420) PP / NP SEK, self-
bleeding

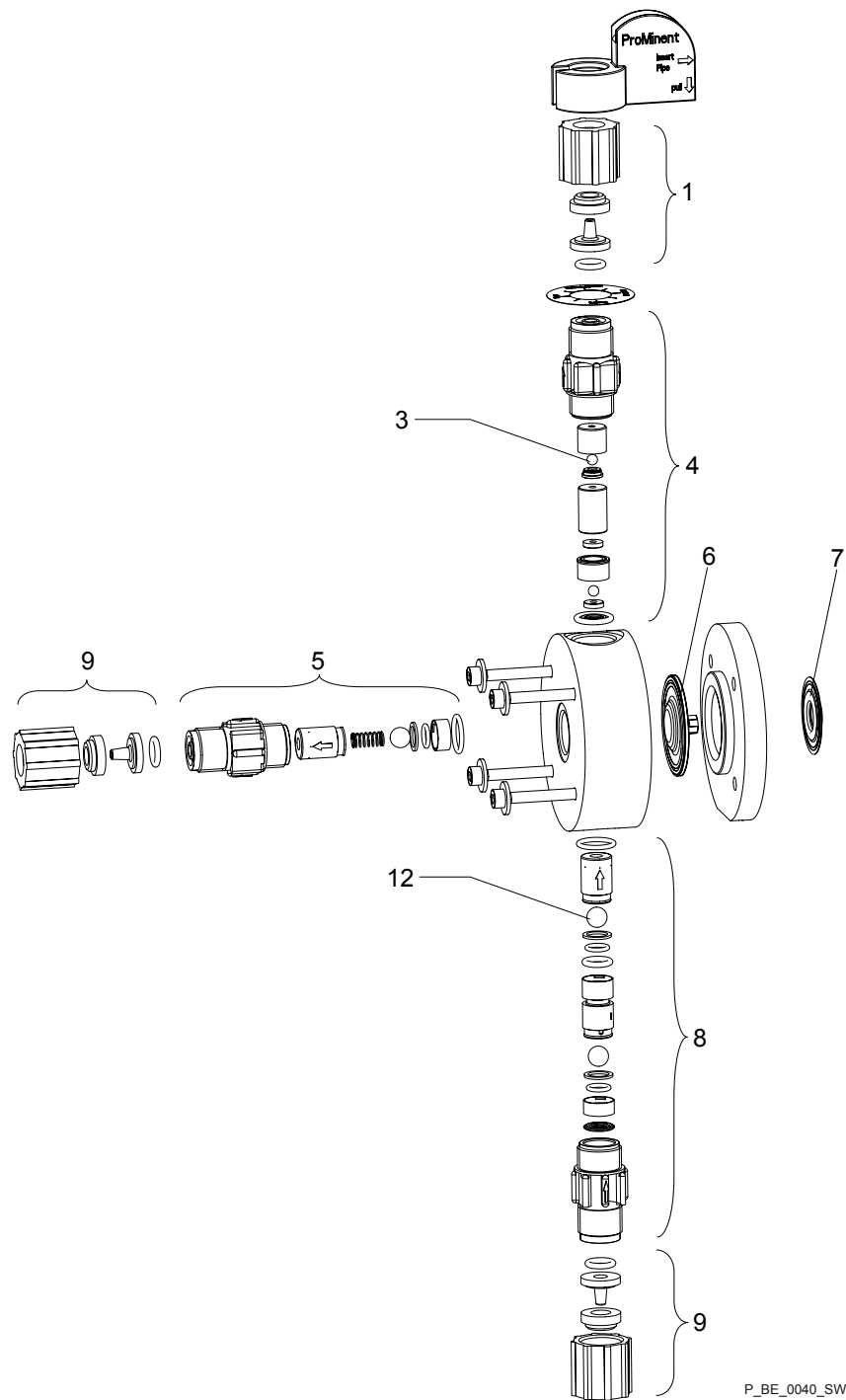


Fig. 17: Liquid end gamma/ L 0708 (1008) - 0220 (0420) PP / NP SEK, self-bleeding

Item	Part	Material version	Part no.
1	Connector kit 6/4	PPE	817160
1	Connector kit 6/4	PPB	817173
1	Connector kit 6/4	PCE	791161
1	Connector kit 6/4	PCB	817165

Item	Part	Material version	Part no.
9	Connector kit 8/5	PPE	817161
9	Connector kit 8/5	PPB	817174
9	Connector kit 8/5	PCE	792058
9	Connector kit 8/5	PCB	817066
9	Connector kit 12/9	PPE	817162
9	Connector kit 12/9	PPB	817175
9	Connector kit 12/9	PCE	790577
9	Connector kit 12/9	PCB	817067
3	4 Valve balls		404201
4	Bleed valve	PPE	1001063
4	Bleed valve	PPB	1001062
4	Bleed valve	PCE	1001061
4	Bleed valve	PCB	1001060
5	Discharge valve compl.	PPE	1001071
5	Discharge valve compl.	PPB	1001070
5	Discharge valve compl.	PCE	1001069
5	Discharge valve compl.	PCB	1001068
6	Diaphragm 0708		1000248
6	Diaphragm 0413		1000249
6	Diaphragm 0220		1000250
7	Safety diaphragm		1027414
8	Suction valve compl.	PPE	1001437
8	Suction valve compl.	PPB	1001436
8	Suction valve compl.	PCE	1001435
8	Suction valve compl.	PCB	1001434

Spare parts kits for type:	Material version	Part no.
0708 (1008)	PPE	1001759
0413 (0713)	PPE	1001760
0220 (0420)	PPE	1001761
0708 (1008)	PPB	1001765

Spare parts kits for type:	Material version	Part no.
0413 (0713)	PPB	1001766
0220 (0420)	PPB	1001767
0708 (1008)	NPE	1001663
0413 (0713)	NPE	1001664
0220 (0420)	NPE	1001665
0708 (1008)	NPB	1001669
0413 (0713)	NPB	1001670
0220 (0420)	NPB	1001671

Sealing sets	Material	Part no.
1 Sealing set	EPDM	1001674
1 Sealing set	FPM	1001672

The positions listed are included in the spare parts kit.

Technical changes reserved.

2 Ordering Information

Spare parts kits for SEK types (with bypass)

The information is given in the corresponding exploded views.

Spare parts kits for SER types (without bypass)

Type	PVT7
1602	1047830
1005 (1605)	1047831
0708 (1008)	1047832
0413 (0713)	1047833
0220 (0420)	1047837

Spare parts kits for other types

Type	PPE	PPB	PCE / NPE	PCB / NPB	TT	SS
1000	1001644	1001652	1001713	1001721	1001737	1001729
1601	1001645	1001653	1001714	1001722	1001738	1001730
1602	1001646	1001654	1001715	1001723	1001739	1001731
1005 (1605)	1001647	1001655	1001716	1001724	1001740	1035332
0708 (1008)	1001648	1001656	1001716	1001725	1001741	1001733
0413 (0713)	1001649	1001657	1001717	1001726	1001742	1001734
0220 (0420)	1001650	1001658	1001718	1001727	1001754	1001735
0232	1001651	1001659	1001719	1001728	1001755	1001736

Sealing sets for SEK types (with bypass)

The information is given in the corresponding exploded views.

Sealing sets for other types

Type	PPE	PPB	NPE	NPB	PVT	TT, SS
1000, 1601, 1602, 1005 (1605)	1001775	1001773	1001775	1001773	1023130	483907 *
0708 (1008) 0413 (0713) 0220 (0420)	1001776	1001774	1001776	1001774	1023130	483975
0232	1001651	1001659	1001776	1001774	1023129	483975

* 11-part

Relay

Product	Part no.
Fault indicating relay Beta ® b:	1028839
Fault indicating / pacing relay option:	1028840

Interference suppression aids

Product	Part no.
Varistor:	710912
RC member, 0.22 μ F / 220 Ω :	710802

Further sources of information

Further information on spare parts, accessories and options can be found in:

- the exploded drawings
- the identity code
- at www.prominent.com
- the ProMinent product catalogue

" " -
www.promhimtech.ru / zakaz@promhimtech.ru

ProMinent