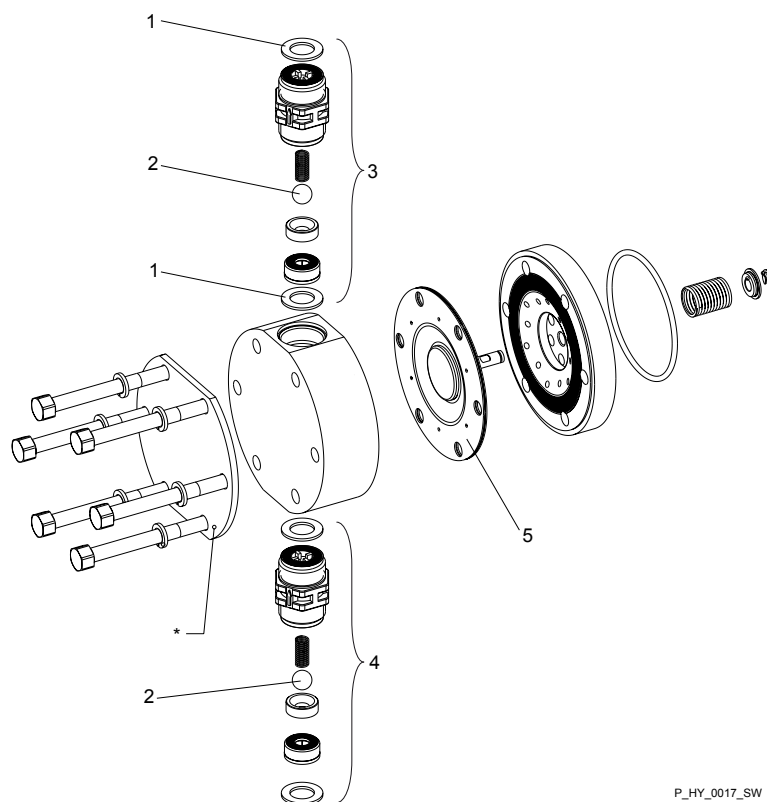


1 Ordering Information

1.1 Exploded view of the drawing



P_HY_0017_SW

Fig. 1: Exploded view of Hydro liquid end Numbered positions = PVT set of spare parts - range for supply. Technical changes reserved.

- | | | | |
|---|---------------------------|---|---------------------------------|
| 1 | Seals (Set) | 4 | Suction connection assy. |
| 2 | Valve balls | 5 | Diaphragm |
| 3 | Pressure connection assy. | * | Reinforce plate - only with PVT |

1.2 Spare parts kits

The spare part kits include the replacement parts for the liquid ends.

Standard delivery for material version PVT

- 1 - Diaphragm
- 1 - Suction connection assy.
- 1 - Pressure connection assy.
- 2 - Valve balls
- 1 - Set of seals, compl.

Standard delivery for material version SST / HCT

- 1 - Diaphragm
- 2 - Valve balls
- 1 - Set of seals, compl.

Ordering Information

Spare parts kits Hydro/ 4

for types: 250130, 250190, 250250, 250350, 250400:

for liquid end	Material version	Part no.
FMH 400 - DN 25	PVT	1043763
	PVT with valve	1023057
	SST	1040812
	SST with valve	1040813
	HCT	1040860
	HCT with valve	1022716

for types: 160210, 160300, 160400, 160550, 160625:

for liquid end	Material version	Part no.
FMH 625 - DN 32	PVT	1043775
	PVT with valve	1040863
	SST	1040824
	SST with valve	1040825
	HCT	1040861
	HCT with valve	1040862

for types: 100330, 100480, 100635, 100880, 101000:

for liquid end	Material version	Part no.
FMH 1000 - DN 32	PVT	1043776
	PVT with valve	1040866
	SST	1040826
	SST with valve	1040827
	HCT	1040864
	HCT with valve	1040865

for types: 0704650, 070670, 070890, 071230, 071400:

for liquid end	Material version	Part no.
FMH 1400 - DN 40	PVT	1043777
	PVT with valve	1040869
	SST	1040828
	SST with valve	1040829

for liquid end	Material version	Part no.
	HCT	1040867
	HCT with valve	1040868

1.3 Diaphragms

Metering diaphragm PTFE / 1.4404

for liquid end	Pump type	Part no.
FMH 400	250130, 250190, 250250, 250350, 250400	1040808
FMH 625	160210, 160300, 160400, 160550, 160625	1040809
FMH 1000	100330, 100480, 100635, 100880, 101000	1040810
FMH 1400	0704650, 070670, 070890, 071230, 071400	1040811

Metering diaphragm PTFE / SST coated

for liquid end	Pump type	Part no.
FMH 400	250130, 250190, 250250, 250350, 250400	1044847
FMH 625	160210, 160300, 160400, 160550, 160625	1044848
FMH 1000	100330, 100480, 100635, 100880, 101000	1044849
FMH 1400	0704650, 070670, 070890, 071230, 071400	1044850

Metering diaphragm PTFE / Hast. C, coated

for liquid end	Pump type	Part no.
FMH 400	250130, 250190, 250250, 250350, 250400	1040874
FMH 625	160210, 160300, 160400, 160550, 160625	1040875
FMH 1000	100330, 100480, 100635, 100880, 101000	1040876
FMH 1400	0704650, 070670, 070890, 071230, 071400	1040877

1.4 Pressure relief valves

Opening pressure P_N	Part no.
7 bar	1039667
10 bar	1039667
16 bar	1039668
25 bar	1039668

1.5 Pressure switch

Version	Part no.
with 30 m connecting cable	on request

1.6 General

Hydraulic oil

The pump uses an hydraulic oil that lubricates the gear at the same time.

Use	Manufacturer	Name	Viscosity class	Part no.
Standard	Mobil	Mobilube 1 SHC *	75W - 90	1005823
Foodsafe	Mobil	SHC Cibus *	220	1007610

* or comparative hydraulic oil

Seals

Seal for	Part no.
Oil drainage stopper (copper, hydraulic end)	1004803
Oil drainage stopper (O-ring, power end)	740803
Diaphragm rupture indicator contact (flat seal)	483920
Diaphragm rupture indicator Namur (flat seal)	483920