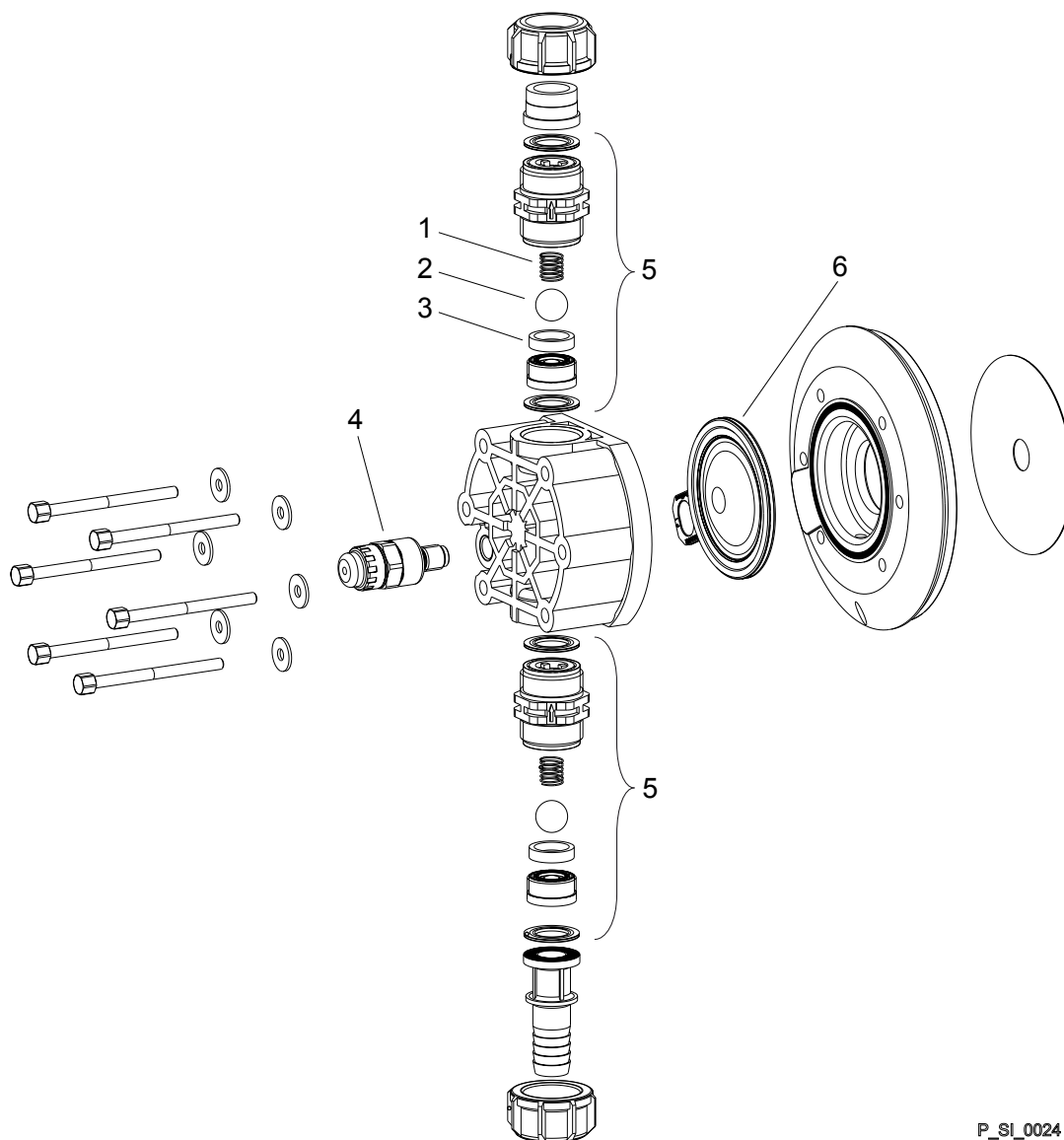


## Liquid ends Sigma/ 1

## Liquid ends Sigma/ 1

Liquid end Sigma/ 1 050 and 065 PVT



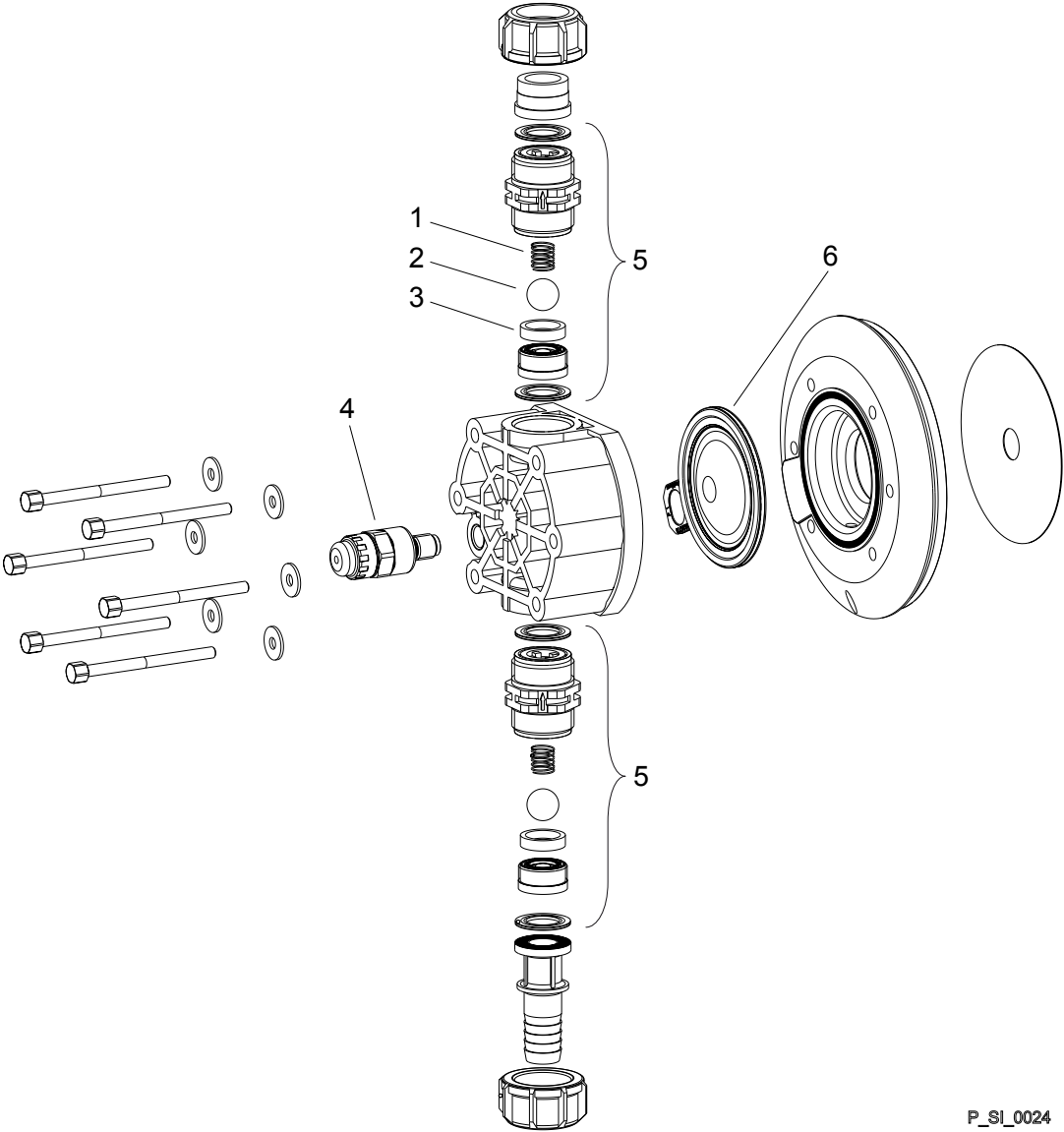
P\_SI\_0024

Fig. 30: Liquid end Sigma/ 1 050 and 065 PVT

Item.	Description	Type 12035, 12017, 10050	Type 07065, 10044, 10022
1	Spring	**	**
2	Ball	*	*
3	Ball seat	*	*
4	Diaphragm rupture sensor, visual	1033323	1033323
5	Valve	1002267*	1002267*
6	Multi-layer diaphragm	1030114*	1030115*

\* The items listed are included in the spare parts kit. \*\* Special accessories (not included in the spare parts kit). Technical changes reserved.

Liquid end Sigma/ 1 120 PVT



P\_SI\_0024

Fig. 31: Liquid end Sigma/ 1 120 PVT

Item.	Description	Type 04084, 04120, 07042
1	Spring	**
2	Ball	*
3	Ball seat	*
4	Diaphragm rupture sensor, visual	1033323
5	Valve	792517*
6	Multi-layer diaphragm	1035828*

\* The items listed are included in the spare parts kit. \*\* Special accessories (not included in the spare parts kit). Technical changes reserved.

Sigma/ 1 PVT relief valve-A

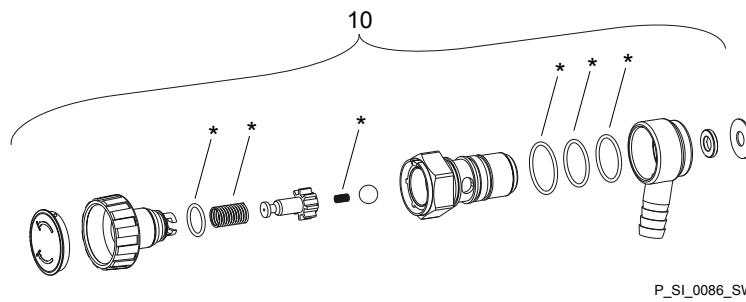
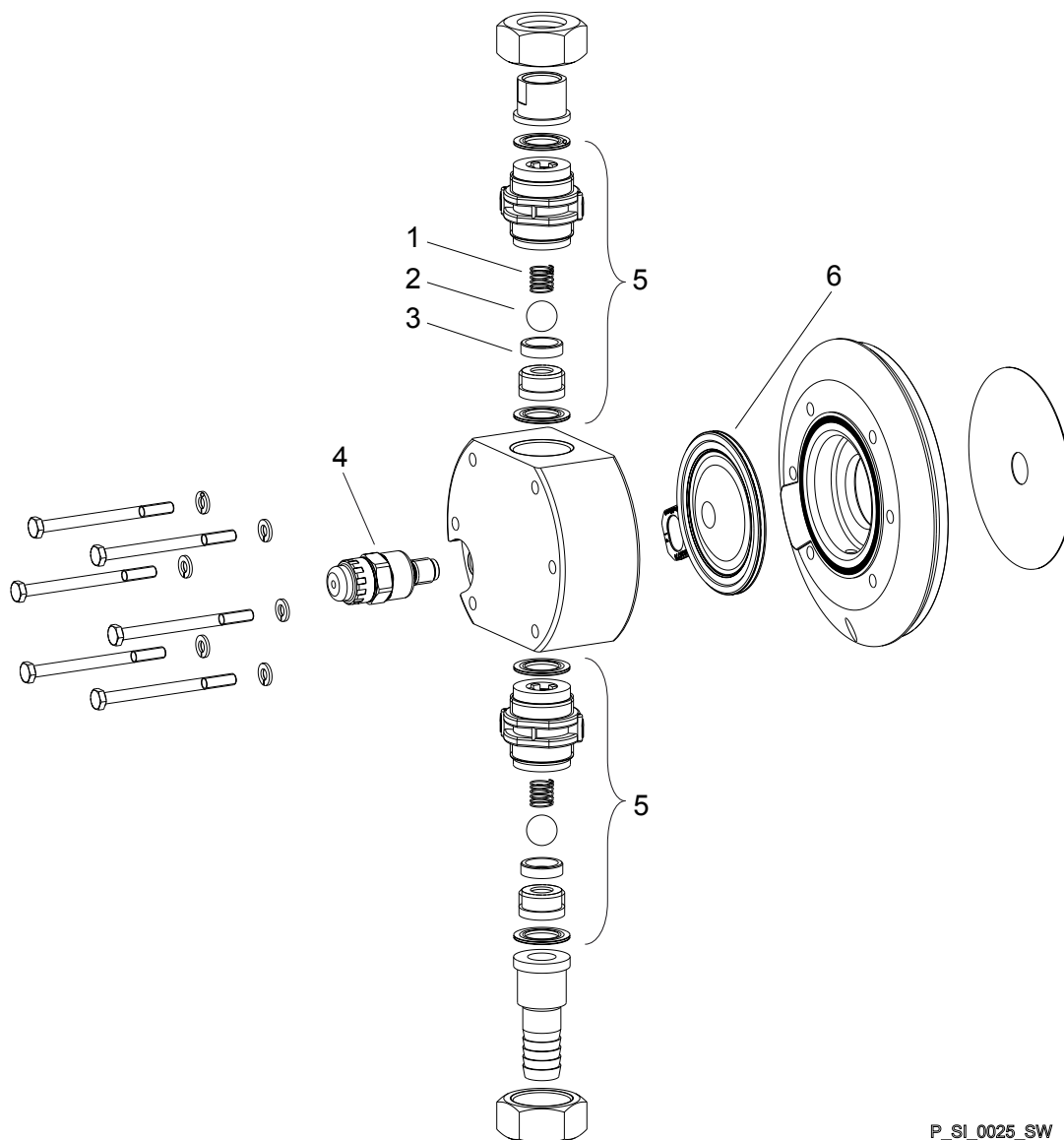


Fig. 32: Sigma/ 1 PVT relief valve-A

Item.	Description	Type 12035, 12017	Type 10050, 10044, 10022	Type 07065, 07042	Type 04084, 04120
10	Relief valve, compl. 12 bar PVA	1018572			
10	Relief valve, compl. 10 bar PVA		1018947		
10	Relief valve, compl. 7 bar PVA			740811	
10	Relief valve, compl. 4 bar PVA				740812

\* The items listed are included in the spare parts kit. Springs made from Hastelloy C, O-rings from FPM-A and EPDM. Technical changes reserved.

## Liquid end Sigma/ 1 050 and 065 SST



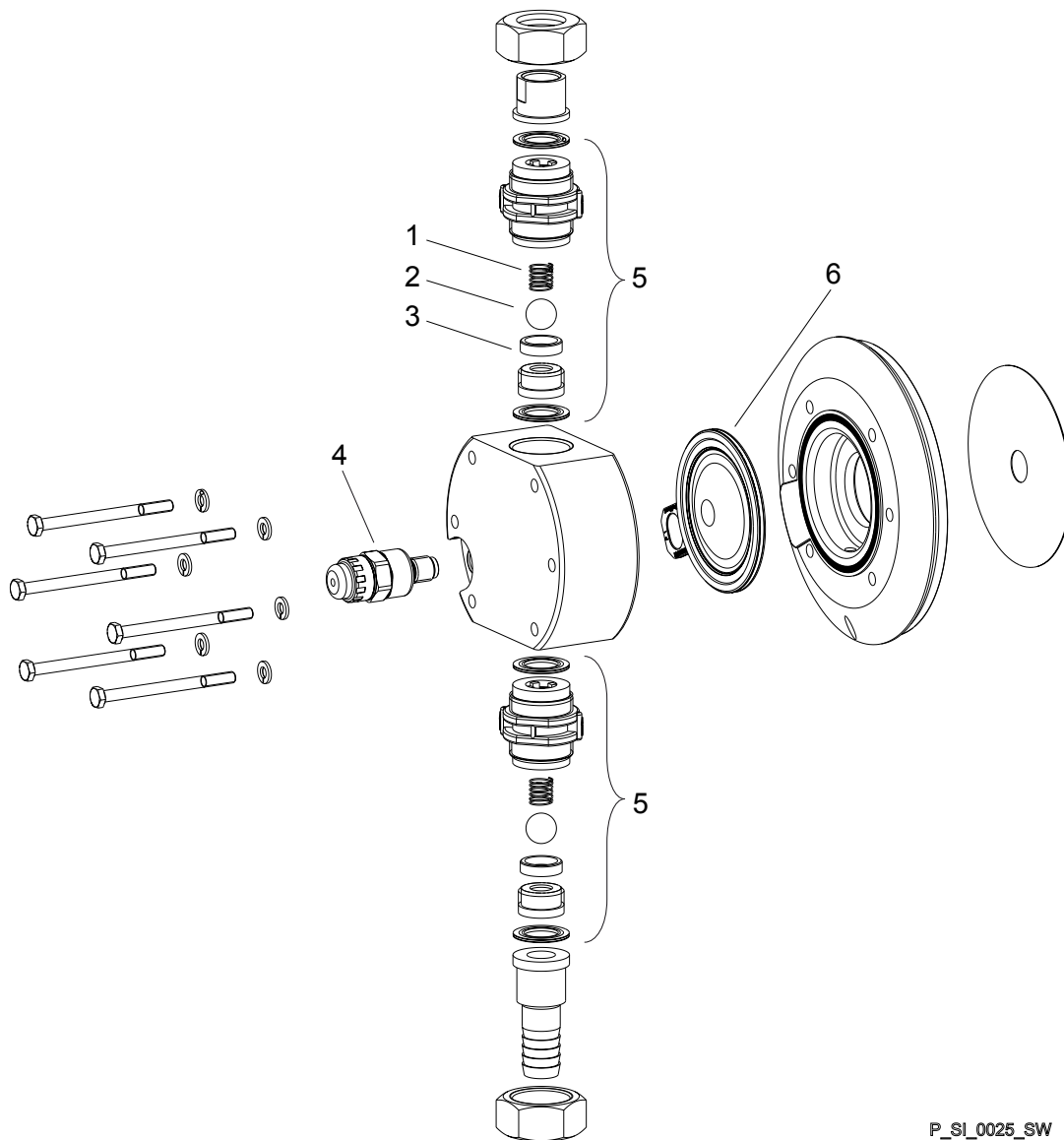
P\_SI\_0025\_SW

Fig. 33: Liquid end Sigma/ 1 050 and 065 SST

Item.	Description	Type 12035, 12017, 10050	Type 07065, 10044, 10022
1	Spring	**	**
2	Ball	*	*
3	Ball seat	*	*
4	Diaphragm rupture sensor, visual	1033323	1033323
5	Valve	809459	809459
6	Multi-layer diaphragm	1030114*	1030115*

\* The items listed are included in the spare parts kit. \*\* Special accessories (not included in the spare parts kit). Technical changes reserved.

Liquid end Sigma/ 1 120 SST



P\_SI\_0025\_SW

Fig. 34: Liquid end Sigma/ 1 120 SST

Item.	Description	Type 04084, 04120, 07042
1	Spring	**
2	Ball	*
3	Ball seat	*
4	Diaphragm rupture sensor, visual	1033323
5	Valve	809404
6	Multi-layer diaphragm	1035828*

\* The items listed are included in the spare parts kit. \*\* Special accessories (not included in the spare parts kit). Technical changes reserved.

## Sigma/ 1 SST relief valve-A

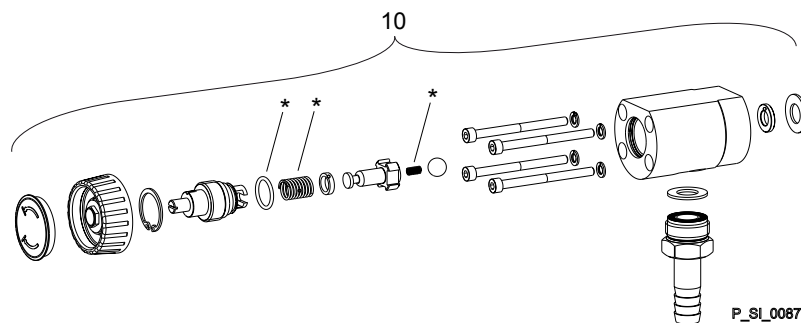


Fig. 35: Sigma/ 1 SST relief valve-A

Item.	Description	Type 12035, 12017	Type 10050, 10044, 10022	Type 07065, 07042	Type 04084, 04120
10	Relief valve, compl. 12 bar SSA	1005625			
10	Relief valve, compl. 10 bar SSA		1018573		
10	Relief valve, compl. 7 bar SSA			740815	
10	Relief valve, compl. 4 bar SSA				740814

\* The items listed are included in the spare parts kit. Springs made from Hastelloy C, O-rings from FPM-A and EPDM. Technical changes reserved.

---

# 1 Wear parts for Sigma/ 1

## 1.1 Standard

### Spare parts kits PVT (liquid ends)

Spare parts kit	Types 12017, 12035, 10050	Types 10022, 10044, 07065	Types 07042, 04084, 04120
FM 50 - DN10	1035964		
FM 65 - DN10		1035967	
FM 120 - DN15			1035961

Scope of supply: see exploded view drawings.

### Spare parts kits SST (liquid ends)

Spare parts kit	Types 12017, 12035, 10050	Types 10022, 10044, 07065	Types 07042, 04084, 04120
FM 50 - DN10	1035966		
FM 50 - DN10 with 2 complete valves	1035965		
FM 65 - DN10		1035969	
FM 65 - DN10 with 2 complete valves		1035968	
FM 120 - DN15			1035963
FM 120 - DN15 with 2 complete valves			1035962

Scope of supply: see exploded view drawings.

### Spare parts kits for integrated relief valve

Spare parts kit	for material version	Seals	Part no.
SPK PRV 4 bar	PVT/SST	FPM-A / EPDM	1031199
SPK PRV 7 bar	PVT/SST	FPM-A / EPDM	1031200
SPK PRV 10 bar	PVT/SST	FPM-A / EPDM	1031202
SPK PRV 12 bar	PVT/SST	FPM-A / EPDM	1031203

Scope of supply: see exploded view drawings.

## 1.2 Physiological safety

### Spare parts kits

#### Scope of supply with PVT material version

1 x Diaphragm, 2 x Valve balls, 1 x Suction valve complete, 1 x Discharge valve complete

1 x Elastomer sealing set (EPDM)

---

---

---

2 x Ball seat housings, 2 x Ball seat discs, 4 x Composite seals

1x Seal washer (for bleed valve or relief valve)

### Scope of supply with SST material version

1 x Diaphragm, 2 x Valve balls

2 x Cover rings

4 x Composite seals

1x Seal washer (for bleed valve or relief valve)

### Ordering Information

#### Spare parts kits PVT (liquid ends)

Liquid end	Types 12017, 12035, 10050	Types 10022, 10044, 07065	Types 07042, 04084, 04120
FM 50 - DN 10	1046466	-	-
FM 65 - DN 10	-	1046469	-
FM 120 - DN 15	-	-	1046453

#### Spare parts kits SST (liquid ends)

Liquid end	Types 12017, 12035, 10050	Types 10022, 10044, 07065	Types 07042, 04084, 04120
FM 50 - DN 10	1046468	-	-
FM 50 - DN 10 with 2 valves complete	1046467	-	-
FM 65 - DN 10	-	1046471	-
FM 65 - DN 10 with 2 valves complete	-	1046470	-
FM 120 - DN 15	-	-	1046465
FM 120 - DN 15 with 2 valves complete	-	-	1046464

### Wetted materials – "Physiologically safety with regard to wetted materials" design

Material version	Liquid end	Suction / pressure connector	Seals* / ball seat	Balls	Integrated bleed valve or relief valve
PVT	PVDF	PVDF	PTFE / PVDF	Ceramic	PVDF / EPDM
SST	Stainless steel 1.4404	Stainless steel 1.4581	PTFE / PVDF	Stainless steel 1.4404	Stainless steel / EPDM

\* Metering diaphragm is PTFE-coated; seals are PTFE composite seals

PTFE: FDA No. 21 CFR §177.1550

---



---

---

PVDF: FDA No. 21 CFR §177.2510

---

