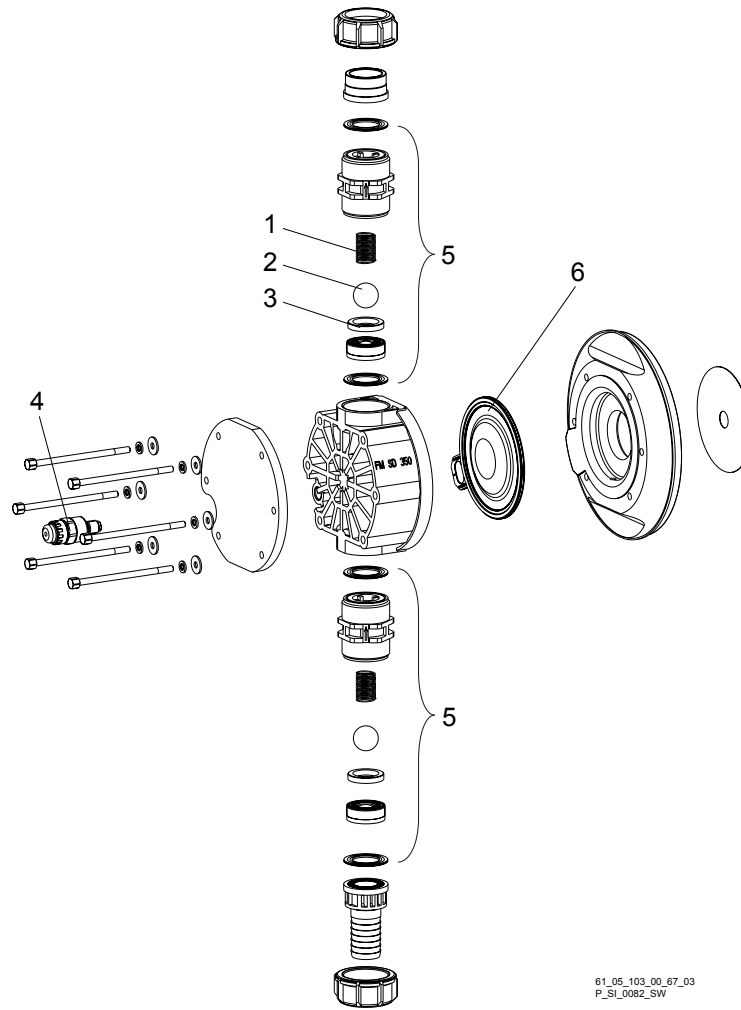


17 Liquid ends Sigma/ 3

Liquid end Sigma/ 3 330 PVT



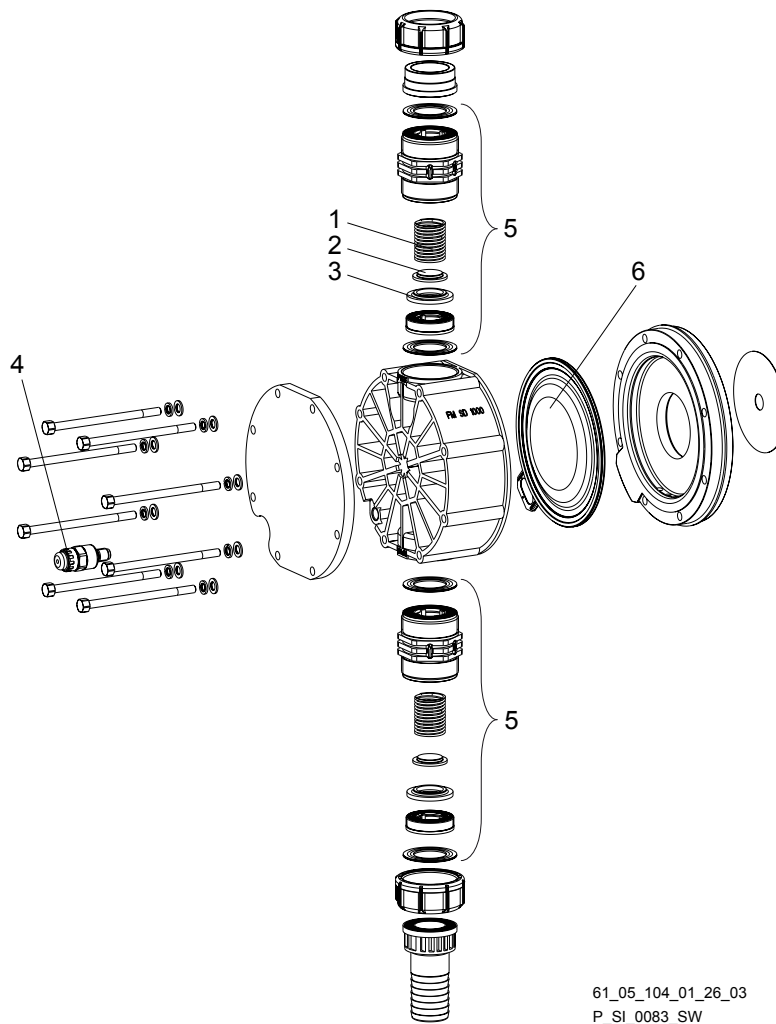
61_05_103_00_67_03
P_SI_0082_SW

Fig. 30: Liquid end Sigma/ 3 330 PVT

Item.	Description	Type 120145, 120190, 120270, 120330
1	Spring	**
2	Ball	*
3	Ball seat	*
4	Diaphragm rupture sensor, visual	1033323
5	Valve	740615*
6	Multi-layer diaphragm	1029604*

* The items listed are included in the spare parts kit. ** Special accessories (not included in the spare parts kit). Technical changes reserved.

Liquid end Sigma/ 3 1000 PVT



61_05_104_01_26_03
P_SI_0083_SW

Fig. 31: Liquid end Sigma/ 3 1000 PVT

Item.	Description	Type 070410, 070580, 040830, 041030
1	Spring	*
2	Ball	*
3	Ball seat	*
4	Diaphragm rupture sensor, visual	1033323
5	Valve	1002806*
6	Multi-layer diaphragm	1029603*

* The items listed are included in the spare parts kit. Technical changes reserved.

Sigma/ 3 PVT relief valve-A

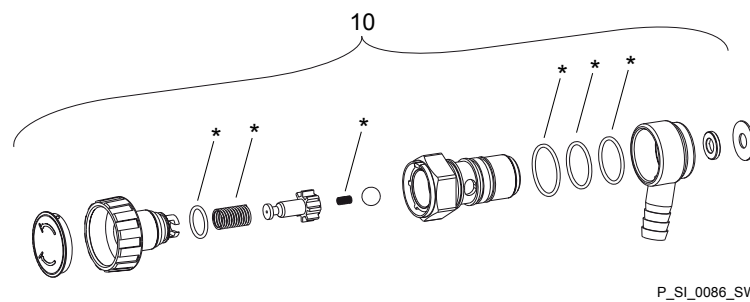


Fig. 32: Sigma/ 3 PVT relief valve-A

Item.	Description	Type 120145, 120190, 120270, 120330	Type 070410, 070580	Type 040830, 041030
10	Relief valve, compl. 10 bar PVA	1005626		
10	Relief valve, compl. 7 bar PVA		1004801	
10	Relief valve, compl. 4 bar PVA			1004778

* The items listed are included in the spare parts kit. Springs made from Hastelloy C, O-rings from FPM-A and EPDM. Technical changes reserved.

Liquid end Sigma/ 3 330 SST

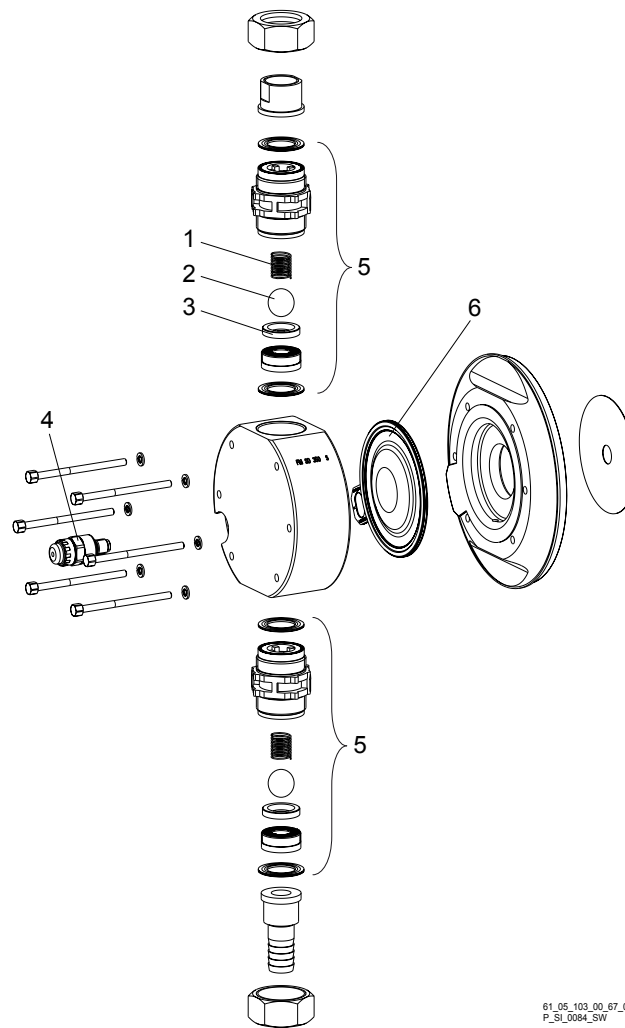


Fig. 33: Liquid end Sigma/ 3 330 SST

Item.	Description	Type 120145, 120190, 120270, 120330
1	Spring	**
2	Ball	*
3	Ball seat	*
4	Diaphragm rupture sensor, visual	1033323
5	Valve	803708
6	Multi-layer diaphragm	1029604*

* The items listed are included in the spare parts kit. ** Special accessories (not included in the spare parts kit). Technical changes reserved.

Liquid end Sigma/ 3 1000 SST

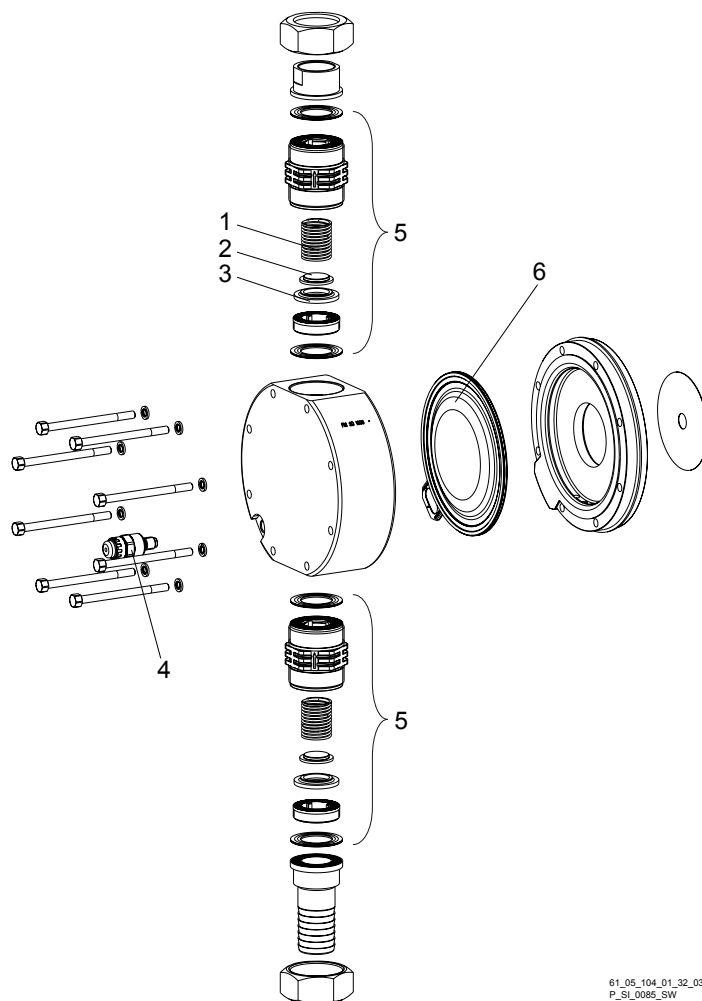
61_05_104_01_32_03
P_SL_0085_SW

Fig. 34: Liquid end Sigma/ 3 1000 SST

Item.	Description	Type 070410, 070580, 040830, 041030
1	Spring	*
2	Ball	*
3	Ball seat	*
4	Diaphragm rupture sensor, visual	1033323
5	Valve	1002811
6	Multi-layer diaphragm	1029603*

* The items listed are included in the spare parts kit. Technical changes reserved.

Sigma/ 3 SST relief valve-A

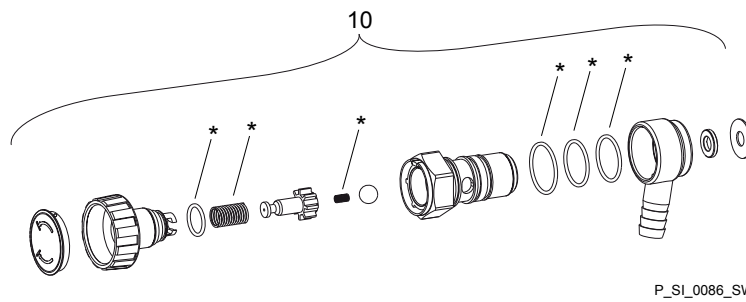


Fig. 35: Sigma/ 3 SST relief valve-A

Item.	Description	Type 120145, 120190, 120270, 120330	Type 070410, 070580	Type 040830, 041030
10	Relief valve, compl. 12 bar SSA	1005625		
10	Relief valve, compl. 7 bar SSA		1005042	
10	Relief valve, compl. 4 bar SSA			1005038

* The items listed are included in the spare parts kit. Springs made from Hastelloy C, O-rings from FPM-A and EPDM. Technical changes reserved.

1 Wear parts for Sigma/ 3

1.1 Standard

Spare parts kits PVT, PCT, PPT
(liquid ends)

Spare parts kit	Types 070410, 070580, 040830, 041030
FM 1000	1034681

Scope of supply: see exploded view drawings.

Spare parts kits PVT (liquid ends)

Spare parts kit	Types 120145, 120190, 120270, 120330
FM 330	1034678

Scope of supply: see exploded view drawings.

Spare parts kits SST (liquid ends)

Spare parts kit	Types 120145, 120190, 120270, 120330	Types 070410, 070580, 040830, 041030
FM 330	1034679	
FM 330 with 2 complete valves	1034680	
FM 1000		1034682
FM 1000 with 2 complete valves		1034683

Scope of supply: see exploded view drawings.

Spare parts kits for integrated relief
valve

Spare parts kit	for material version	Seals	Part no.
SPK PRV 4 bar	PVT/SST	PTFE	1031204
SPK PRV 7 bar	PVT/SST	PTFE	1031205
SPK PRV 10 bar	PVT	PTFE	1031201

Scope of supply: see exploded view drawings.

1.2 Physiological safety

Spare parts kits

Scope of supply with PVT material version

1 x Diaphragm, 2 x Valve balls, 1 x Suction valve, complete, 1 x Discharge valve, complete

1 x Elastomer sealing set (EPDM)

2 x Ball seat housings, 2 x Ball seat discs, 4 x Composite seals

1x Seal washer (for bleed valve or relief valve)

Scope of supply with SST material version

1 x Diaphragm, 2 x Valve balls

2 x Cover rings

4 x Composite seals

1x Seal washer (for bleed valve or relief valve)

Ordering Information

Spare parts kits PVT (liquid ends)

Liquid end	Types 120145, 120190, 120270
FM 330	1046478

Spare parts kits SST (liquid ends)

Liquid end	Types 120145, 120190, 120270
FM 330	1046479
FM 330 with 2 complete valves	1046480

Wetted materials – "Physiologically safety with regard to wetted materials" design

Material version	Liquid end	Suction / pressure connector	Seals* / ball seat	Balls	Integral bleed valve or relief valve
PVT	PVDF	PVDF	PTFE / PVDF	Glass	PVDF / EPDM
SST	Stainless steel 1.4404	Stainless steel 1.4581	PTFE / PVDF	Stainless steel 1.4404	Stainless steel / EPDM

* Metering diaphragm is PTFE-coated; seals are PTFE composite seals

PTFE: FDA No. 21 CFR §177.1550

PVDF: FDA No. 21 CFR §177.2510

" " -
www.promhimtech.ru / zakaz@promhimtech.ru

ProMinent