

PUMP TECHNOLOGY

L3NX

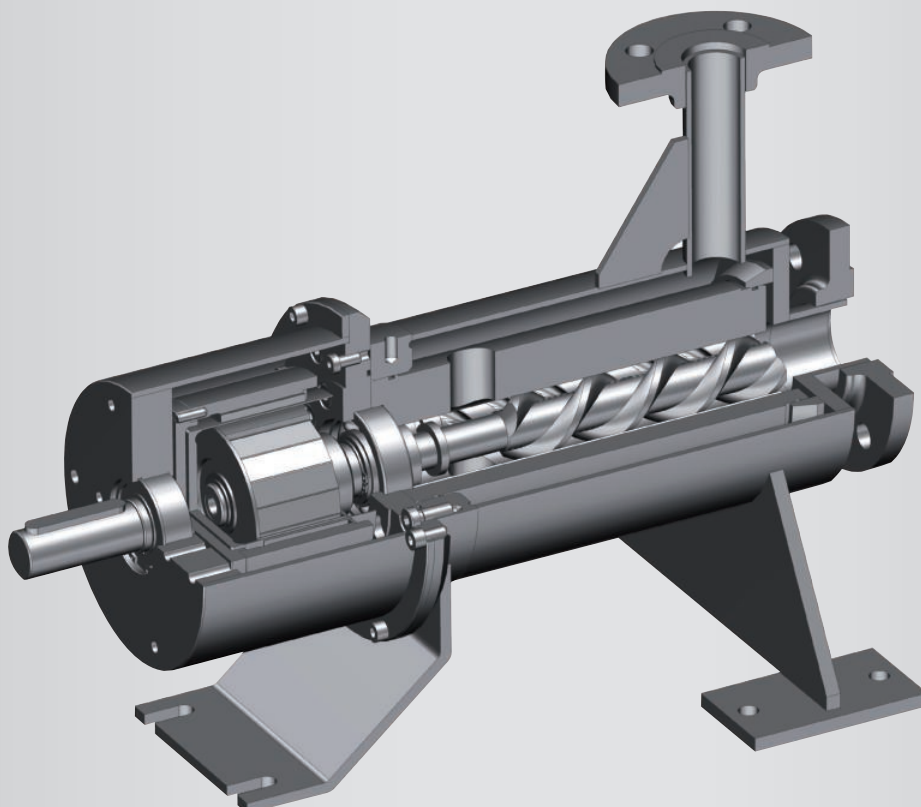
The Chemical-Standard-Pump according to DIN EN ISO 2858 for the Chemical Industry!

- World's first screw pump according to DIN EN ISO 2858 geometry - 1:1 replaceable with Chemical- Standard-Pumps (Leistritz Patent)
- High volumetric efficiency η - advantage compared to other pump types
- The L3NX covers 14 pump sizes of Chemical-Standard-Pumps within just three pump sizes
- Compliant to German-Clean-Air-Act (TA-Luft): static o-ring-seals, magnetic coupled shaft seal, hermetic tight

APPLICATION

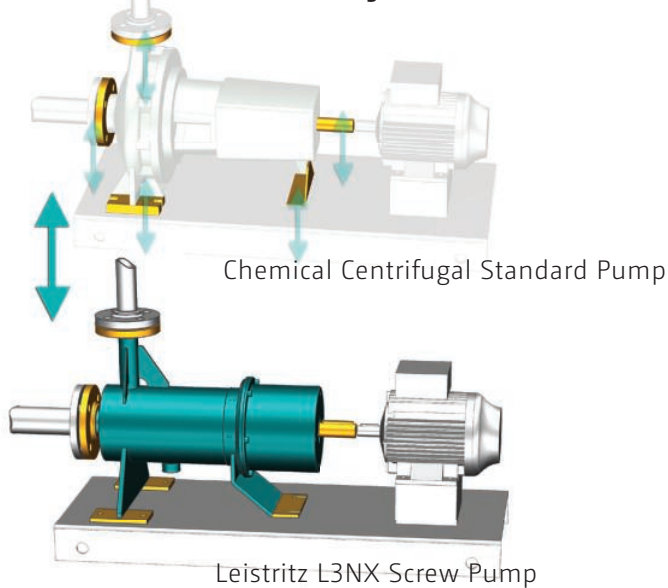
Chemical Industry

Use as process pump for all applications with Chemical-Centrifugal-Standard-Pumps – also for engineered solutions (for example customized flow-rate and pressure)



LEISTRITZ L3NX SCREW PUMP VS. CENTRIFUGAL PUMP

Connections defined by DIN EN ISO 2858



- L3NX is 1:1 replaceable with Chemical-Centrifugal-Standard-Pumps (geometry acc. DIN EN ISO 2858 – yellow marked connections)
- much higher efficiency η compared to other pump types
- sealed by magnetic coupling (German-Clean-Air-Act-conform)
- wide viscosity range 25 - 5.000 mm²/s
- Hydraulic balanced spindles (no special bearing required)
- self-priming-pump
- all parts stainless
- independent of the pump size operation with 16bar discharge pressure possible

MATERIALS

Casing, Liner, Screws:	Stainless Steel (1.4404) *
Seals:	Magnetic coupling, Mechanical seal

*All materials are depending on actual operation conditions

PUMP SIZE			RATED OUTPUT CENTRIFUGAL PUMPS		LEISTRITZ PUMPS	
Inlet	Outlet	Impeller (rated Ø)	1,450 1/min	2,900 1/min	1,450 1/min	2,900 1/min
			Q (m ³ /h)	Q (m ³ /h)		
50	32	125	6.3	12.5	L3NX25	L3NX45
50	32	160				
50	32	200				
50	32	250	12.5	25	L3NX45	L3NX60
65	50	125				
65	50	160				
65	40	200				
65	40	250				
65	40	315	25	50	L3NX60	N/A
80	65	125				
80	65	160				
80	50	200				
80	50	250				
80	50	315				

LEISTRITZ PUMPEN GMBH
 Markgrafenstrasse 29-39
 D-90459 Nuremberg
 Phone: +49 9 11/43 06 - 0
 Fax: +49 9 11/43 06 - 490
 E-Mail: pumps@leistritz.com
 www.leistritz.com

Subsidiaries:
 LEISTRITZ ITALIA SRL/ITALIA
 LEISTRITZ ADVANCED TECHNOLOGIES CORP./USA
 LEISTRITZ MACHINERY (TAICANG) CO., LTD./CHINA
 LEISTRITZ SEA PTE LTD/ SINGAPORE
 LEISTRITZ MIDDLE EAST FZE