

# Liquid ring vacuum pumps

in compact design

## LEM 26, LEM 51

**Pressure range:** 33 to 1013 mbar  
**Suction volume flow:** 3 to 58 m<sup>3</sup>/h

### CONSTRUCTION TYPE

SIHI liquid ring vacuum pumps are displacement pumps of uncomplicated and robust construction with the following particular features:

- non-polluting due to nearly isothermal compression
- oil-free, as no lubrication in the working chamber
- handling of nearly all gases and vapours
- small quantities of entrained liquid can be handled
- easy maintenance and reliable operation
- low noise and nearly free from vibration
- wide choice of material, therefore applicable nearly everywhere
- protection against cavitation as standard
- incorporated dirt drain
- incorporated central drain
- no metallic contact of the rotating parts

The SIHI liquid ring vacuum pumps LEM are single-stage ones.

### APPLICATION

Handling and exhausting of dry and humid gases; entrained liquid can be handled during normal duty. The pumps are applied in all fields where a pressure of 33 to 900 mbar must be created by robust vacuum pumps.



### NOTE

During operation the pump must continuously be supplied with service liquid, normally water, in order to eliminate the heat resulting from the gas compression and to replenish the liquid ring, because part of the liquid is leaving the pump together with the gas. This liquid can be separated from the gas in a liquid separator (see catalogue part accessories).

It is possible to reuse the service liquid. The pumps are equipped with a device by which the contaminated service liquid can continuously be drained during operation (dirt drain), if necessary.

The direction of rotation is clockwise, when looking from the drive on the pump.

### GENERAL TECHNICAL DATA

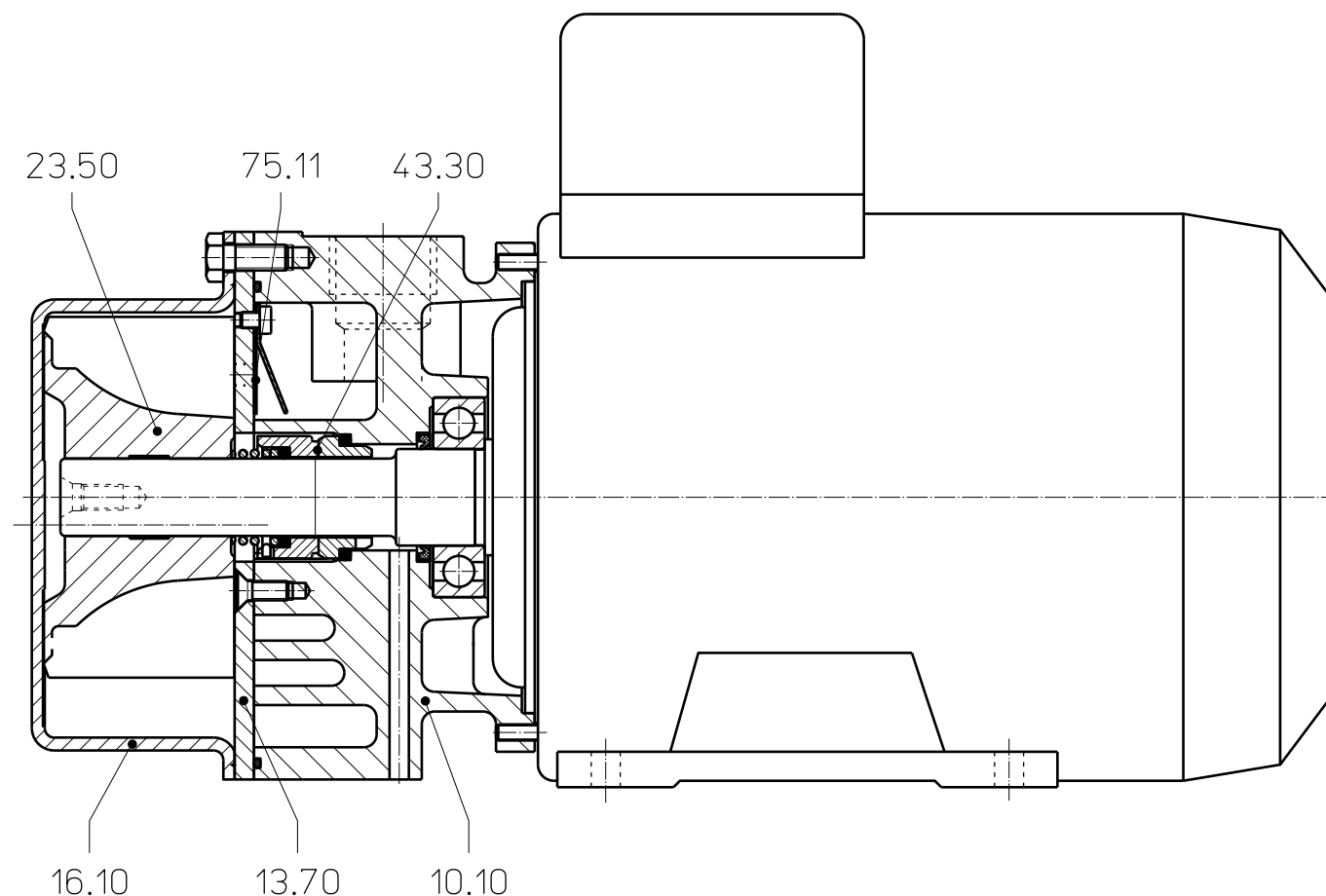
| Pump type  | units               | LEM 26              | LEM 51 |
|--|---------------------|---------------------|--------|
| Speed  | 50 Hz<br>60 Hz      | rpm<br>2900<br>3500 |        |
| Maximum overpressure on compression                                | bar                 | 0.3                 |        |
| Permissible pressure difference between suction and discharge side | bar                 | 1.1<br>0.2          |        |
| Hydraulic test pressure (overpressure)                             | bar                 | 3                   |        |
| Moment of inertia of rotating parts of pump and water content      | kg · m <sup>2</sup> | 0.003               | 0.005  |
| Noise level at 80 mbar suction pressure                            | dB (A)              | 68                  |        |
| Maximum gas temperature  | dry<br>saturated    | °C<br>200<br>100    |        |
| Service liquid:  |                     |                     |        |
| Maximum permissible temperature                                    | °C                  | 80                  |        |
| Minimum permissible temperature                                    | °C                  | 10                  |        |
| Maximum viscosity  | mm <sup>2</sup> /s  | 4                   |        |
| Maximum density  | kg/m <sup>3</sup>   | 1200                |        |
| Liquid capacity up to middle of shaft                              | litre               | 0.4                 | 0.6    |
| Maximum flow resistance of the heat exchanger                      | bar                 | 0.2                 |        |

In selecting a pump, avoid choosing one which is likely to be operating at a combination of its maximum permissible limits e.g. maximum viscosity and maximum permissible pressure difference.

## Materials

| Position number | COMPONENT                | MATERIALS                            |        |                                 |
|-----------------|--------------------------|--------------------------------------|--------|---------------------------------|
|                 |                          | 0A                                   | OK     | 4B                              |
| 10.10           | Vacuum casing            | 0.6025                               |        | 1.4408                          |
| 13.70           | Guide disc               | 1.4301                               |        | 1.4404                          |
| 16.10           | Cover                    |                                      |        |                                 |
| 23.50           | Vane wheel impeller      | 2.1096.01                            | 1.4308 | 1.4517                          |
| 43.30           | Standard mechanical seal | Cr-steel / carbon / butadiene rubber |        | Cr Ni Mo-steel / carbon / Viton |
| 75.11           | Valve plate              | PTFE                                 |        |                                 |

## Cut-away diagram LEM 26, LEM 51



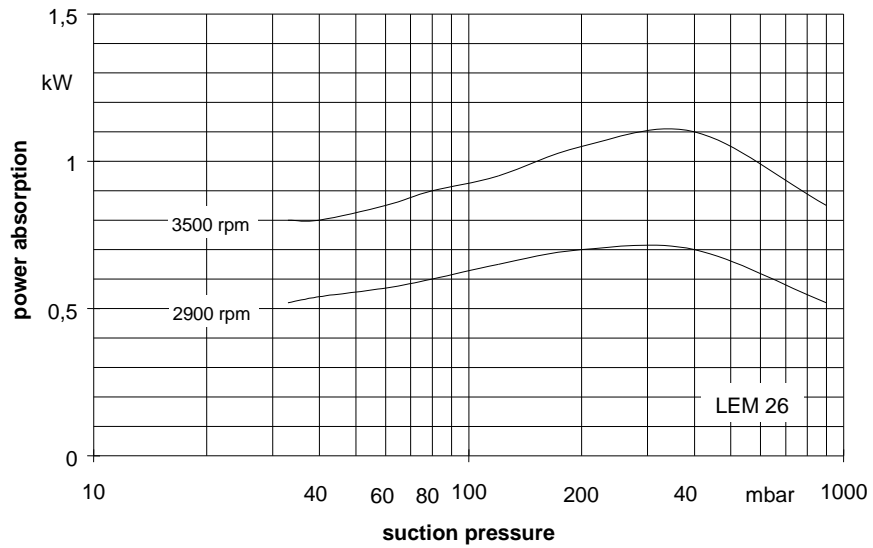
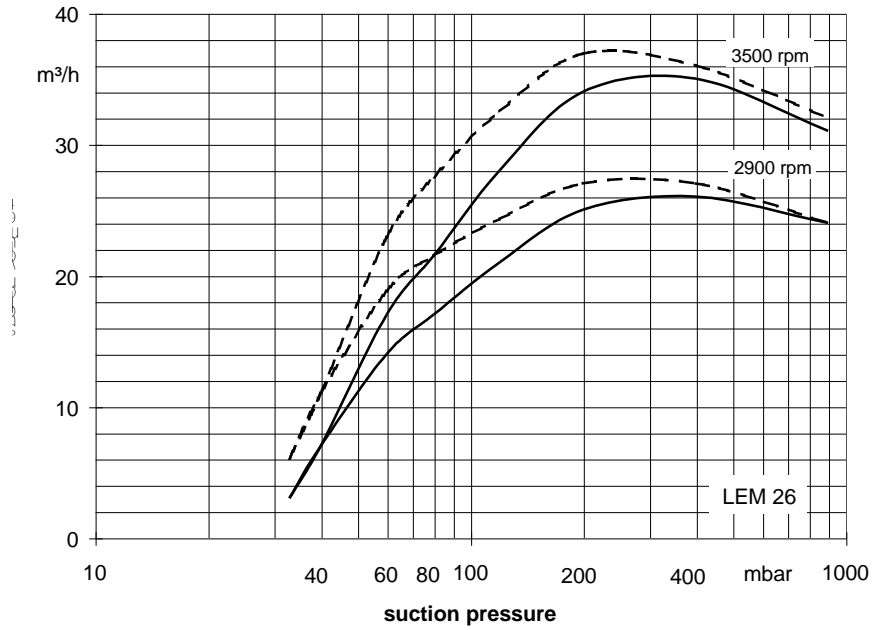
## Make-up liquid consumption in [m<sup>3</sup>/h] dependent upon suction pressure, speed, drive type and temperature difference

| Suction Pressure [mbar] |             | 33                          |      |      | 120  |                             |      | 200  |      |                             | 400  |      |      |      |      |      |      |
|-------------------------|-------------|-----------------------------|------|------|------|-----------------------------|------|------|------|-----------------------------|------|------|------|------|------|------|------|
| Pump Type               | Speed [rpm] | KB                          |      |      | FB   | KB                          |      |      | FB   | KB                          |      |      | FB   |      |      |      |      |
|                         |             | Temperature Difference [°C] |      |      |      | Temperature Difference [°C] |      |      |      | Temperature Difference [°C] |      |      |      |      |      |      |      |
|                         |             | 10                          | 5    | 2    |      | 10                          | 5    | 2    |      | 10                          | 5    | 2    |      |      |      |      |      |
| LEM 26                  | 2900        | 0.04                        | 0.07 | 0.14 | 0.39 | 0.05                        | 0.09 | 0.16 | 0.36 | 0.05                        | 0.09 | 0.15 | 0.3  | 0.05 | 0.08 | 0.14 | 0.28 |
|                         | 3500        | 0.06                        | 0.10 | 0.18 |      | 0.07                        | 0.11 | 0.19 |      | 0.07                        | 0.11 | 0.18 |      | 0.07 | 0.11 | 0.18 |      |
| LEM 51                  | 2900        | 0.07                        | 0.13 | 0.23 | 0.48 | 0.09                        | 0.15 | 0.24 | 0.42 | 0.09                        | 0.14 | 0.23 | 0.36 | 0.09 | 0.14 | 0.22 | 0.34 |
|                         | 3500        | 0.11                        | 0.17 | 0.28 |      | 0.12                        | 0.19 | 0.28 |      | 0.12                        | 0.18 | 0.26 |      | 0.12 | 0.18 | 0.25 |      |

FB = Total service liquid flow rate on once-through system

KB = Flow of make-up water when combined with partial recirculation liquid at a temperature of 10 °C, 5 °C, 2 °C, warmer than make-up water

**Performance Characteristics LEM 26**



The operating data is valid under the following conditions:

- process media:
  - dry air: 20°C —————
  - steam saturated air: 20°C - - - - -
- service liquid:
  - water: 15°C

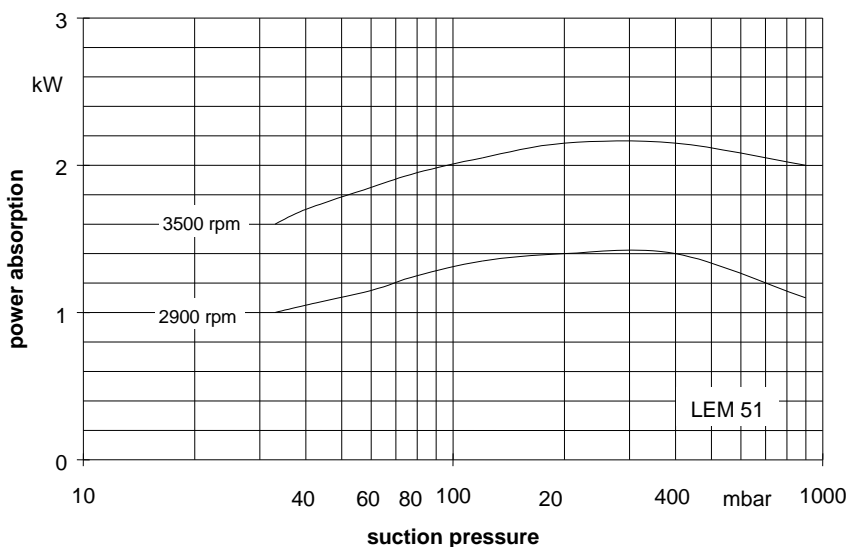
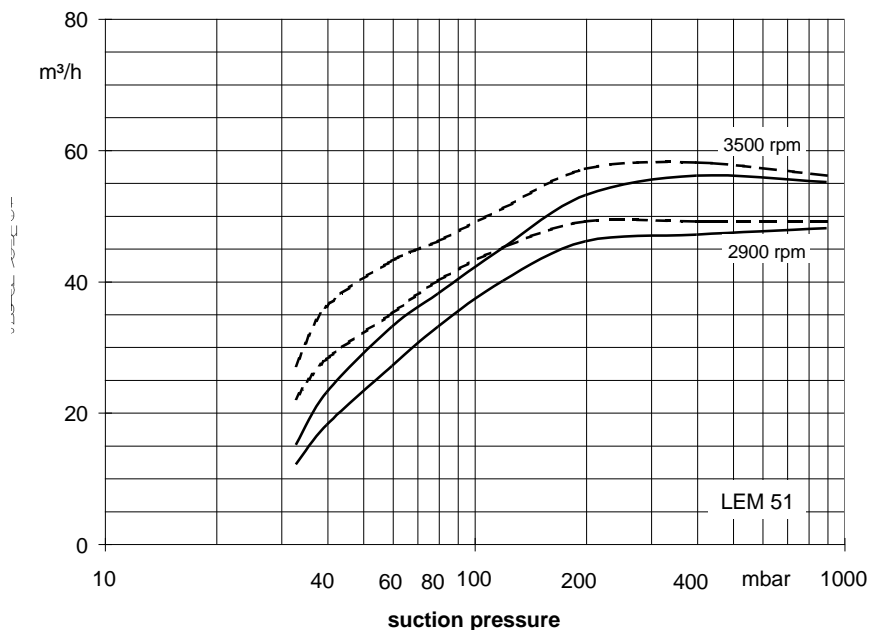
Pressure of gas to be evacuated: 1013 mbar (atmospheric pressure)

The suction volume is related to the suction pressure.

Tolerance on operating data is 10%.

The maximum consumption of make-up water occurs at the lowest suction pressure.

# Performance Characteristics LEM 51



The operating data is valid under the following conditions:

- process media:
  - dry air: 20°C \_\_\_\_\_
  - steam saturated air: 20°C - - - - -
- service liquid:
  - water: 15°C

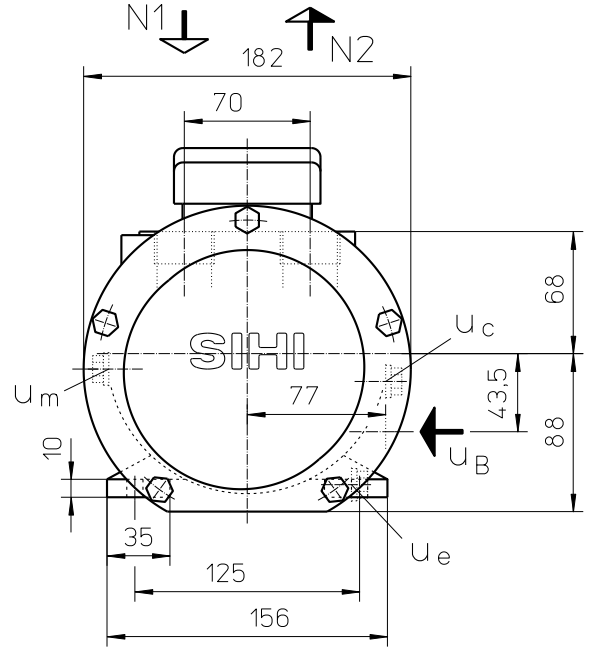
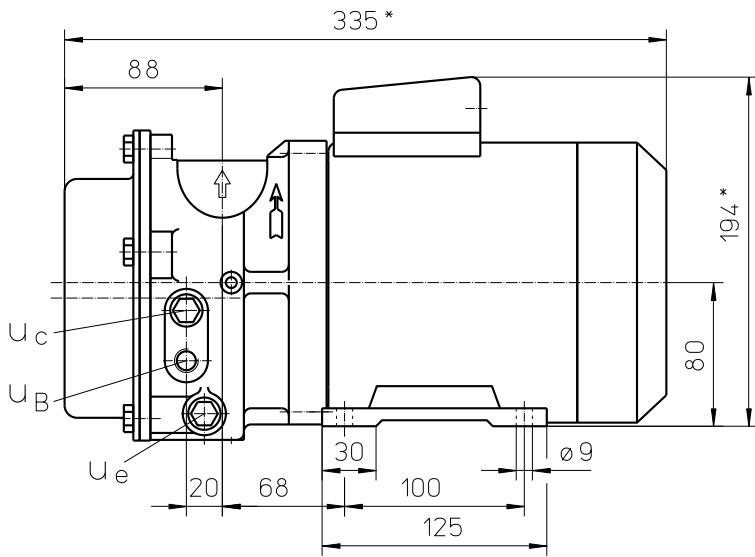
Pressure of gas to be evacuated: 1013 mbar (atmospheric pressure)

The suction volume is related to the suction pressure.

Tolerance on operating data is 10%.

The maximum consumption of make-up water occurs at the lowest suction pressure.

**Dimensions LEM 26**

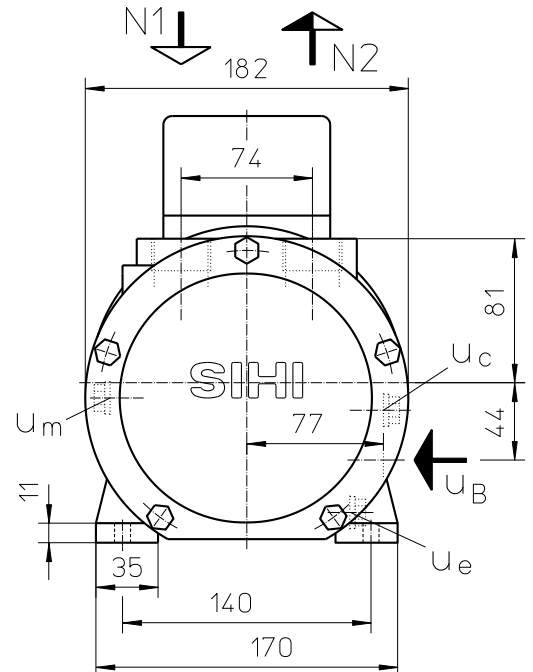
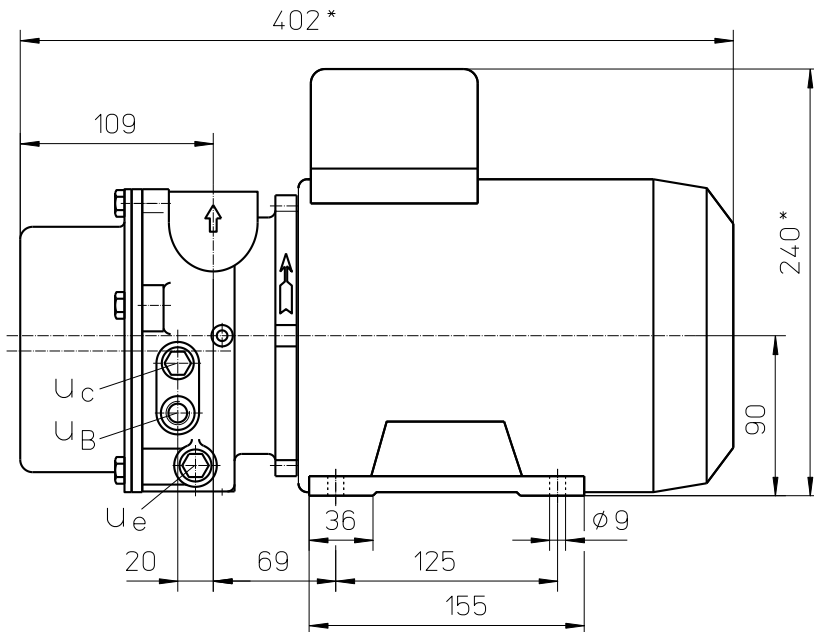


|        | size | electric motor IP 55 kW |       | approx. weight [kg] |
|--------|------|-------------------------|-------|---------------------|
|        |      | 50 Hz                   | 60 Hz |                     |
| LEM 26 | 80   | 0.75                    | -     | 29                  |
|        |      | -                       | 1.1   | 22                  |

other motors on request  
\* dimension dependent upon motor supplier

- N 1 = gas inlet G 1
- N 2 = gas outlet G 1
- u<sub>B</sub> = connection for service liquid G ¼
- u<sub>c</sub> = connection for protection against cavitation G ¼
- u<sub>e</sub> = connection for drain G ¼
- u<sub>m</sub> = connection for pressure gauge G ¼

**Dimensions LEM 51**

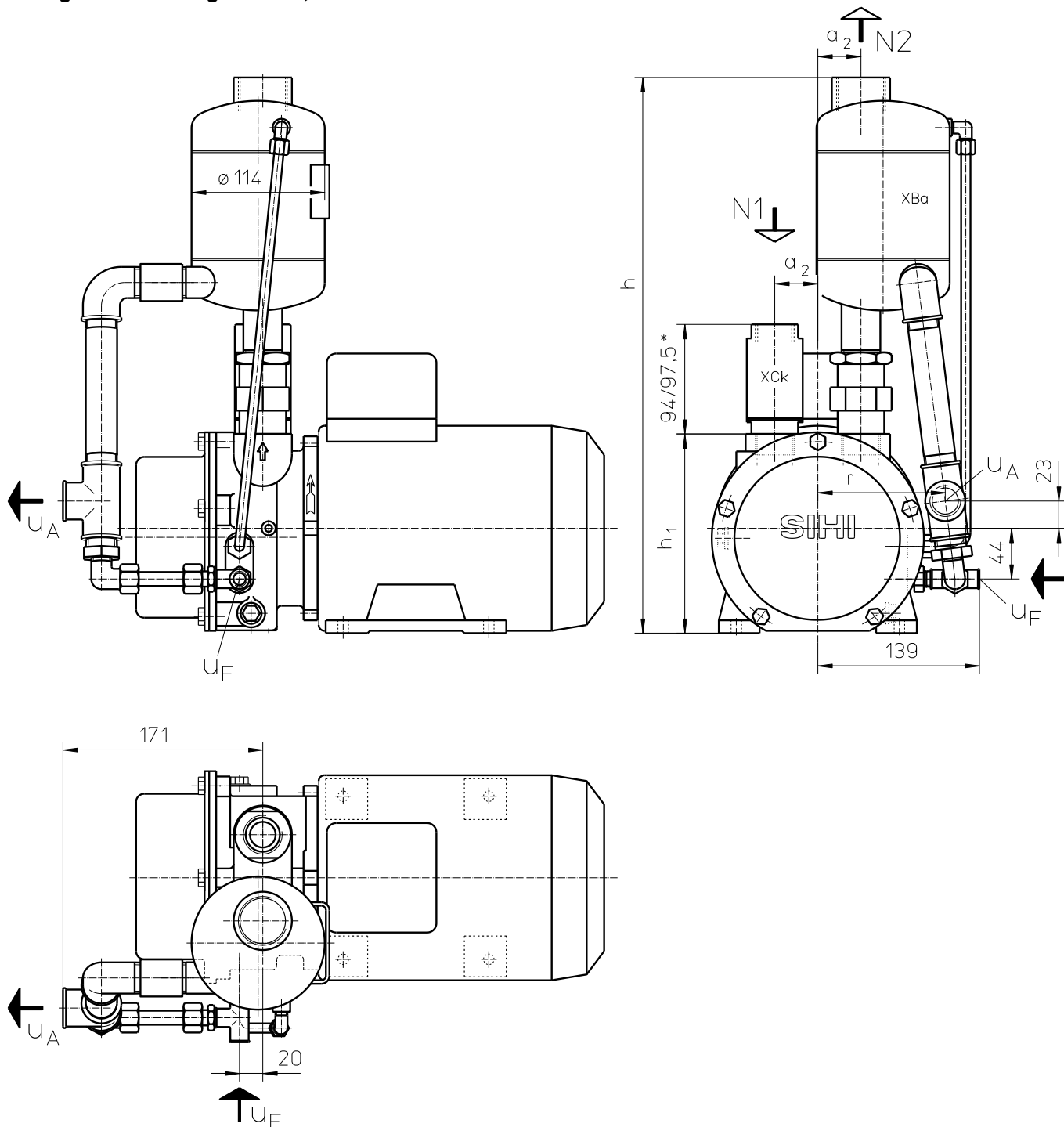


|        | size | electric motor IP 55 kW |       | approx. weight [kg] |
|--------|------|-------------------------|-------|---------------------|
|        |      | 50 Hz                   | 60 Hz |                     |
| LEM 51 | 90 L | 1.5                     | 2.2   | 30                  |

other motors on request  
\* dimension dependent upon motor supplier

- N 1 = gas inlet G 1
- N 2 = gas outlet G 1
- u<sub>B</sub> = connection for service liquid G ¼
- u<sub>c</sub> = connection for protection against cavitation G ¼
- u<sub>e</sub> = connection for drain G ¼
- u<sub>m</sub> = connection for pressure gauge G ¼

Arrangement drawing LEM 26, LEM 51



\* stainless steel / brass

- N 1 = gas inlet G 1
- N 2 = gas outlet G 1¼
- u<sub>A</sub> = liquid overflow G ¾
- u<sub>F</sub> = connection for make-up liquid G ¼

|        | electric motor IP 55 |       | a <sub>2</sub><br>[mm] | h<br>[mm] | h <sub>1</sub><br>[mm] | r<br>[mm] | approx. weight<br>[kg] |       |
|--------|----------------------|-------|------------------------|-----------|------------------------|-----------|------------------------|-------|
|        | size                 | 50 Hz |                        |           |                        |           |                        | 60 Hz |
| LEM 26 | 80                   | 0.75  | 1.1                    | 35        | 394                    | 148       | 105                    | 32    |
| LEM 51 | 90 L                 | 1.5   | 2.2                    | 37        | 477                    | 171       | 109                    | 33    |

## Data regarding the pump size - order hints

| range + size | hydraulic + bearings   | shaft seal   | materials   | casing sealing         |
|--------------|--|--|---|------------------------|
|              | A• hydraulic A<br>•Z two grease lubricated antifriction bearings arranged in the motor | AAE mechanical seal, o-rings butadiene rubber<br>AA1 similar to AAE, but o-rings Viton | 0A main parts out of cast iron<br>0K main parts out of cast iron, impeller in low alloyed steel<br>4B main parts out of stainless steel | 7 O-rings, teflon cord |
| LEM 26       | AZ   | AAE, AA1   | 0K, 4B  | 7                      |
| LEM 51       |  |  | 0A, 4B  |                        |

## Motor Selection

For our products we offer a lot of different motor types.  
To identify the right motor please specify frequency, voltage and protection class.

### Example of an Order:

LEMA 51 AZ AAE 0A 7 with 1.5 kW AC motor, 50 Hz, 230V Δ, IP55

## Accessories LEM 26, LEM 51

| Recommended accessories                           |                                  | Material execution | LEM 26                   | LEM 51                   |
|---|----------------------------------|--------------------|--------------------------|--------------------------|
| <b>Top mounted liquid separator</b>               |                                  | Type / weight      | XBa 244 / 2.8 kg         |                          |
| Top mounted separator                             | 1.4571                           | SIHI-Part No.      | 43 133 503               |                          |
| service liquid pipework, standard execution       | Steel, galvanised<br>1.4571      | SIHI- Part No.     | 20 055 639<br>20 055 640 | 20 087 968<br>20 088 080 |
| service liquid pipework, thermostatic control 24V | 1.0254 + Brass<br>1.4571 + Brass | SIHI- Part No.     | 20 086 989<br>20 050 596 |                          |
| Cavitation protection pipework                    | Steel, galvanised<br>1.4571      | SIHI- Part No.     | 20 042 674<br>20 042 672 |                          |
| <b>Sterling SIHI – Gas ejector</b>                |                                  | Type / weight      | GEV 25 A / 1.1 kg        | GEV 50 A / 1.1 kg        |
| at service liquid temperature 15 °C               |                                  | Type / weight      | GEV 25 A / 1.1 kg        | GEV 50 A / 1.1 kg        |
| at service liquid temperature 30 °C               |                                  | Type / weight      | GEV 25 A / 1.1 kg        | GEV 50 A / 1.1 kg        |
| <b>Sterling SIHI – Non return ball valve</b>      |                                  | Size / weight      | G 1 / 0.7 kg             |                          |
|   | Brass + Butadiene rubber         | SIHI-Teil Nr.      | 20 044 637               |                          |
|   | Brass + Teflon                   |                    | 20 044 639               |                          |
|   | 1.4571 + Teflon                  |                    | 20 072 807               |                          |

Any changes in the interest of the technical development are reserved.

Lindenstraße 170, D-25524 Itzehoe, Germany  
Telephone +49 (0) 48 21 / 7 71-01, Fax +49 (0) 48 21 / 7 71-274  
[www.sihi.com](http://www.sihi.com)