

API 685 Canned Motor Pumps

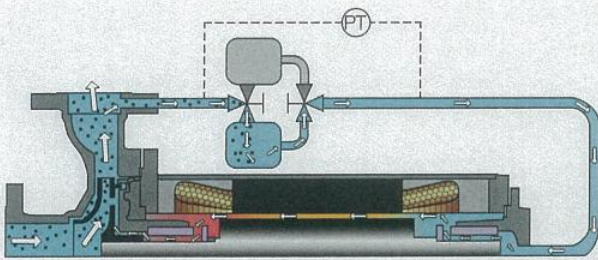


Annex D Dirty or Special Circulation Fluid Plans

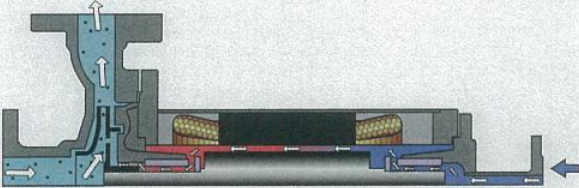
All sealless Teikoku Canned Motor Pumps can be designed and manufactured for use as envisioned under API 685

Annex D, Circulation Piping Schematics. These canned motor pump circulation plans offer users a view into handling a variety of clean and dirty fluid pumping applications in the emission-free, safe

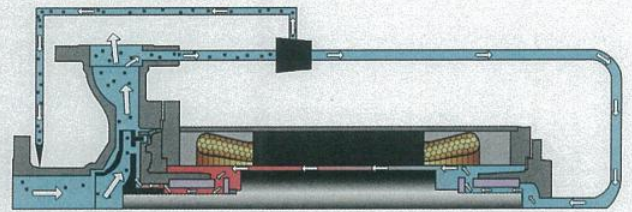
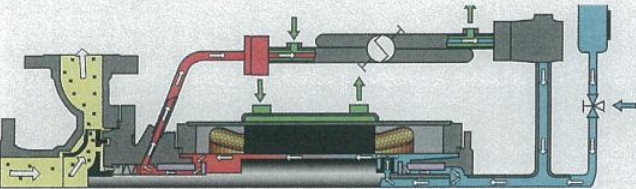
and highly reliable way that can only be achieved with canned motor pumps. The API 685 Circulation Plan possibilities are characterized here in generic cross sections of applied canned motor pump technology designed for applications to accommodate volatile, solids-laden, hot and temperature-sensitive fluids.



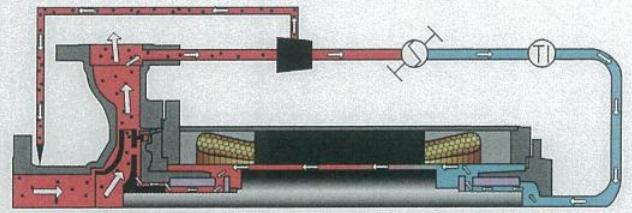
Plan 12-SE Filtered External Circulation



Plan 32-S External Fluid Flush Circulation



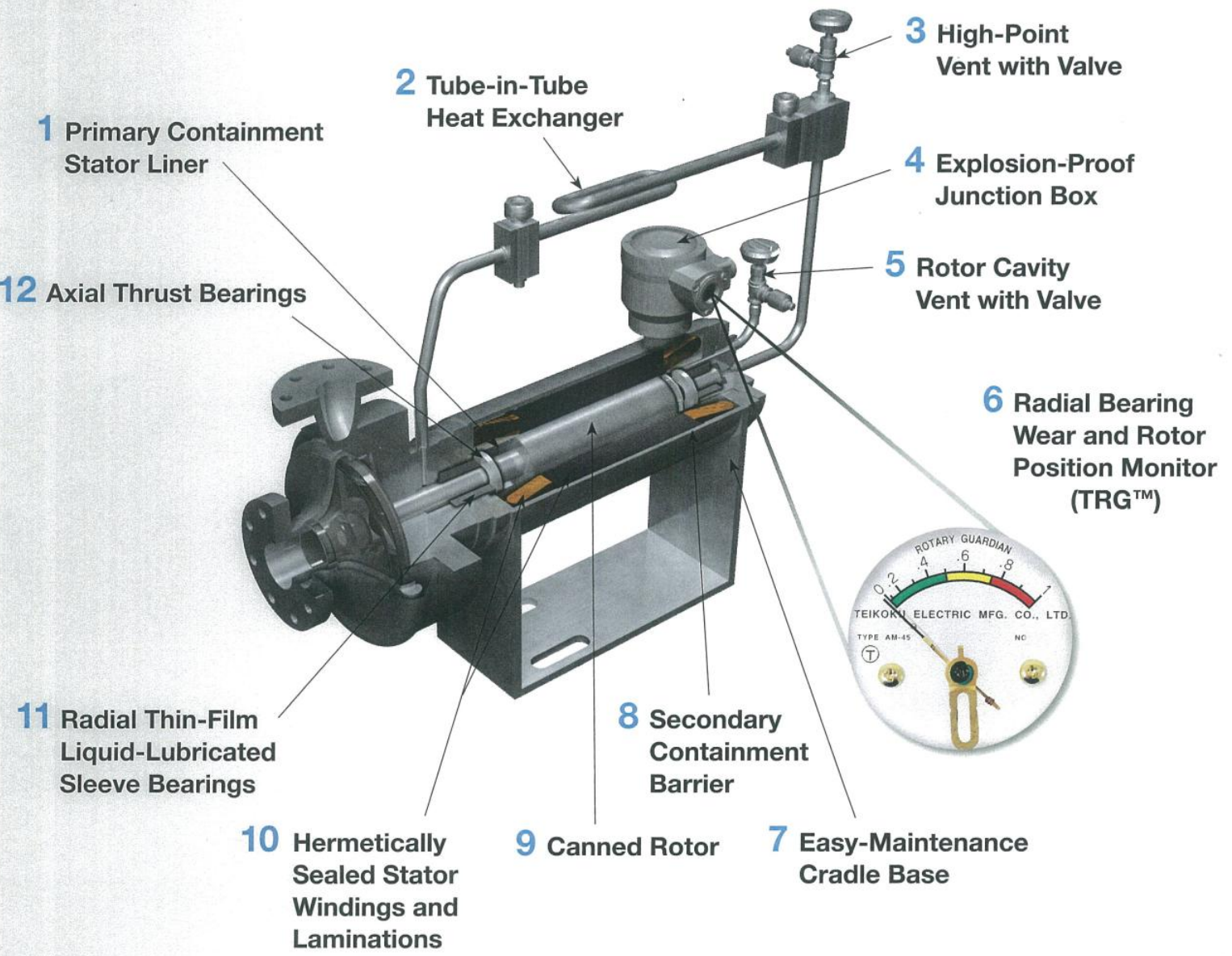
Plan 31-S External Circulation with Separator



Plan 41-S Cooled External Circulation with Separator

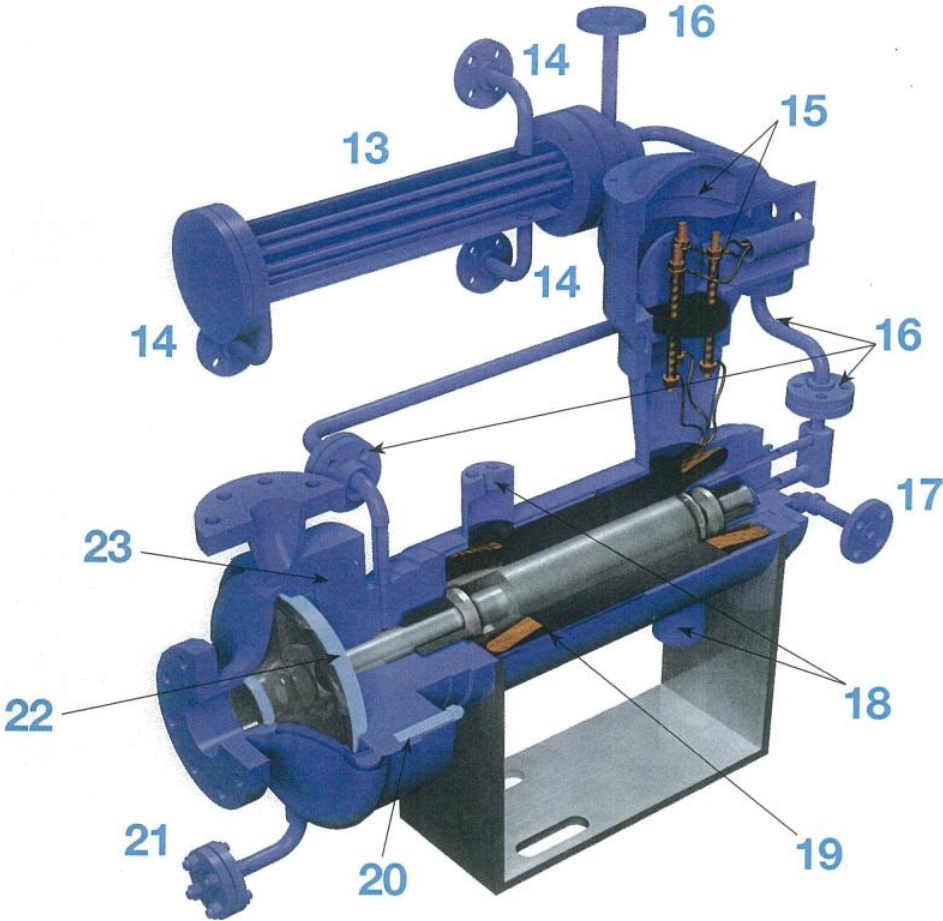
For even more varieties of Teikoku solutions under API 685 Plans, visit our Pump Circulation Paths at www.TeikokuPumps.com.

Standard High-Temperature Service Canned Motor Pump



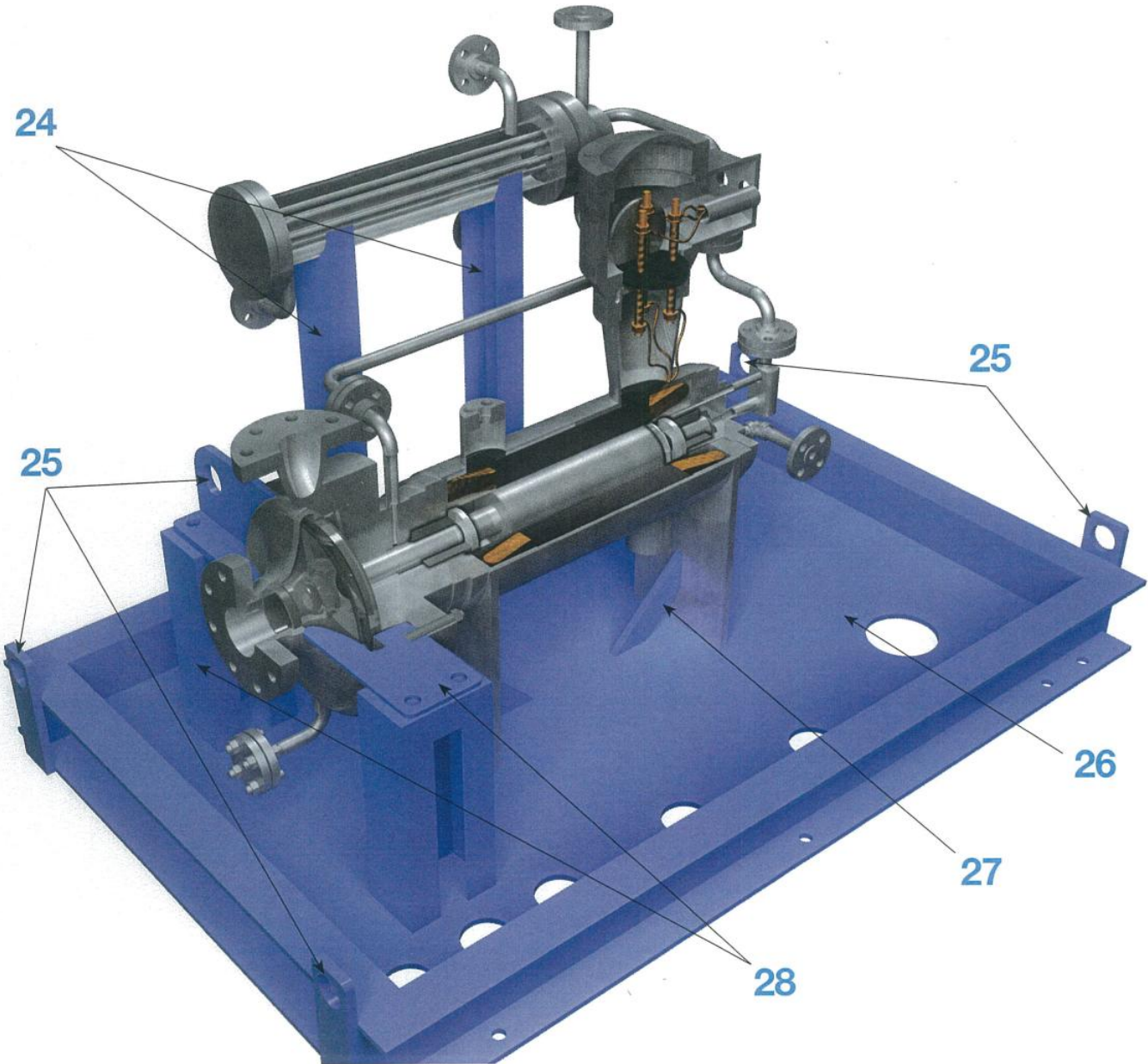
| | | |
|-----------|--|----------------|
| 13 | Design Pressure Rated Shell and Tube Heat Exchanger | 6.1.20 |
| 14 | Design Pressure Rated Utility Piping and Connections | 6.1.24 |
| 15 | Design Pressure Rated Terminal Plate Seal and Junction Box | 7.4.2.4 |
| 16 | Design Pressure Rated Process Piping and Connections | 6.3.1.1 |
| 17 | Design Pressure Rated Rotor Cavity Drain with Gussets (Gussets omitted for clarity) | 6.1.11 |
| 18 | Design Pressure Rated Stator Cavity Flush and Drain Connections | 6.7.9 |
| 19 | Design Pressure Rated Secondary Containment | 6.7.5 |
| 20 | Stud Bolts | 6.1.34 |
| 21 | Design Pressure Rated Pump Casing Drain with Gussets (Gussets omitted for clarity) | 6.3.3.5 |
| 22 | Replaceable Impeller Wear Rings | 6.6 |
| 23 | Design Pressure Rated Pump Casing and Adapter | 6.2.1 |

Mechanical Design



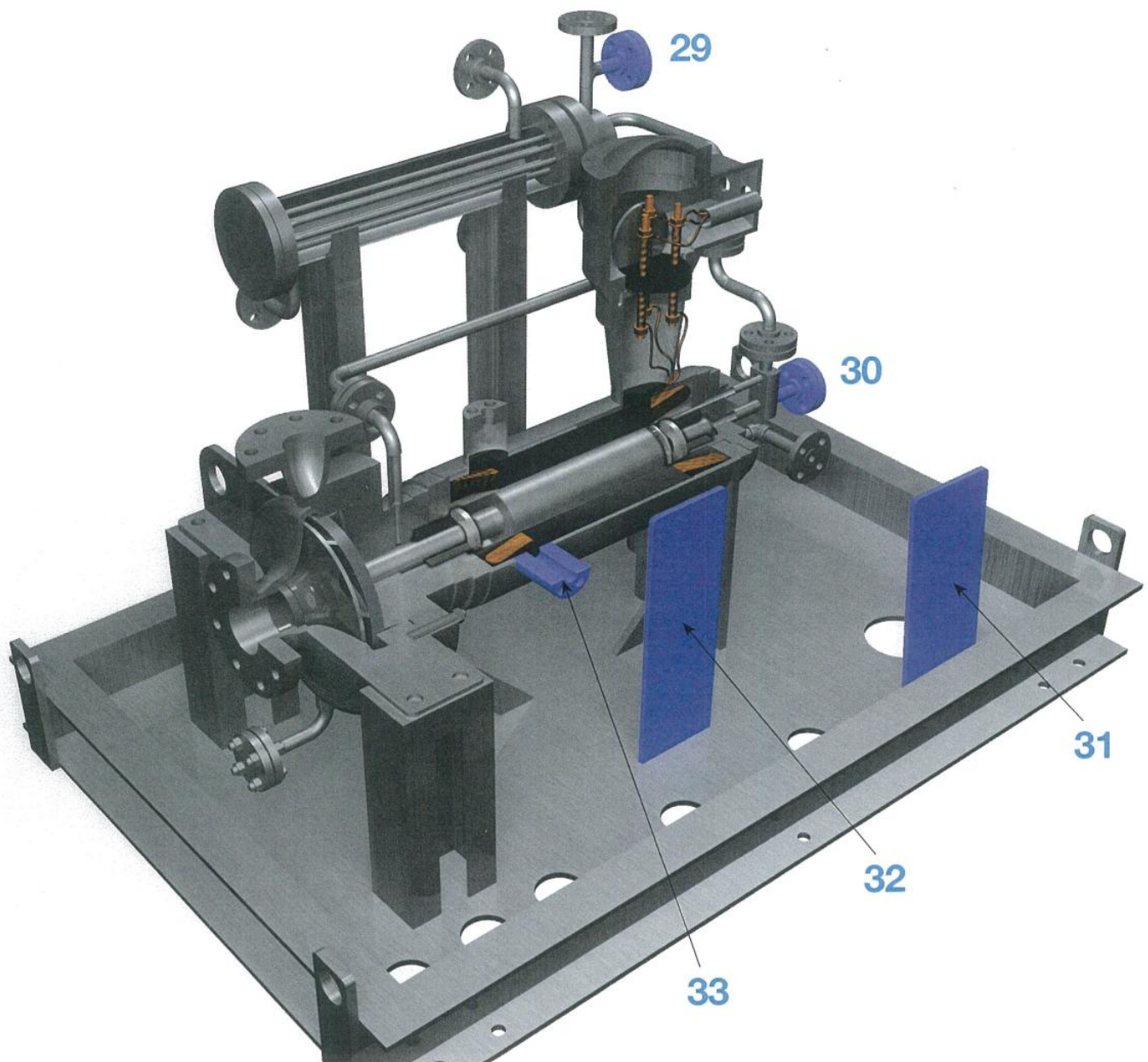
| | | |
|-----------|--|------------------------------|
| 24 | Heat Exchanger Supports | 7.3 |
| 25 | Lifting Brackets | 7.3 |
| 26 | Extended Baseplate with Drain Pan (Optional for Canned Motor Pumps) If specified, design details available. | 7.3 9.1.5.3 |
| 27 | Cradle Gussets | 7.3 |
| 28 | Pump Casing Centerline Supports | 6.2.9 |

Unit Support



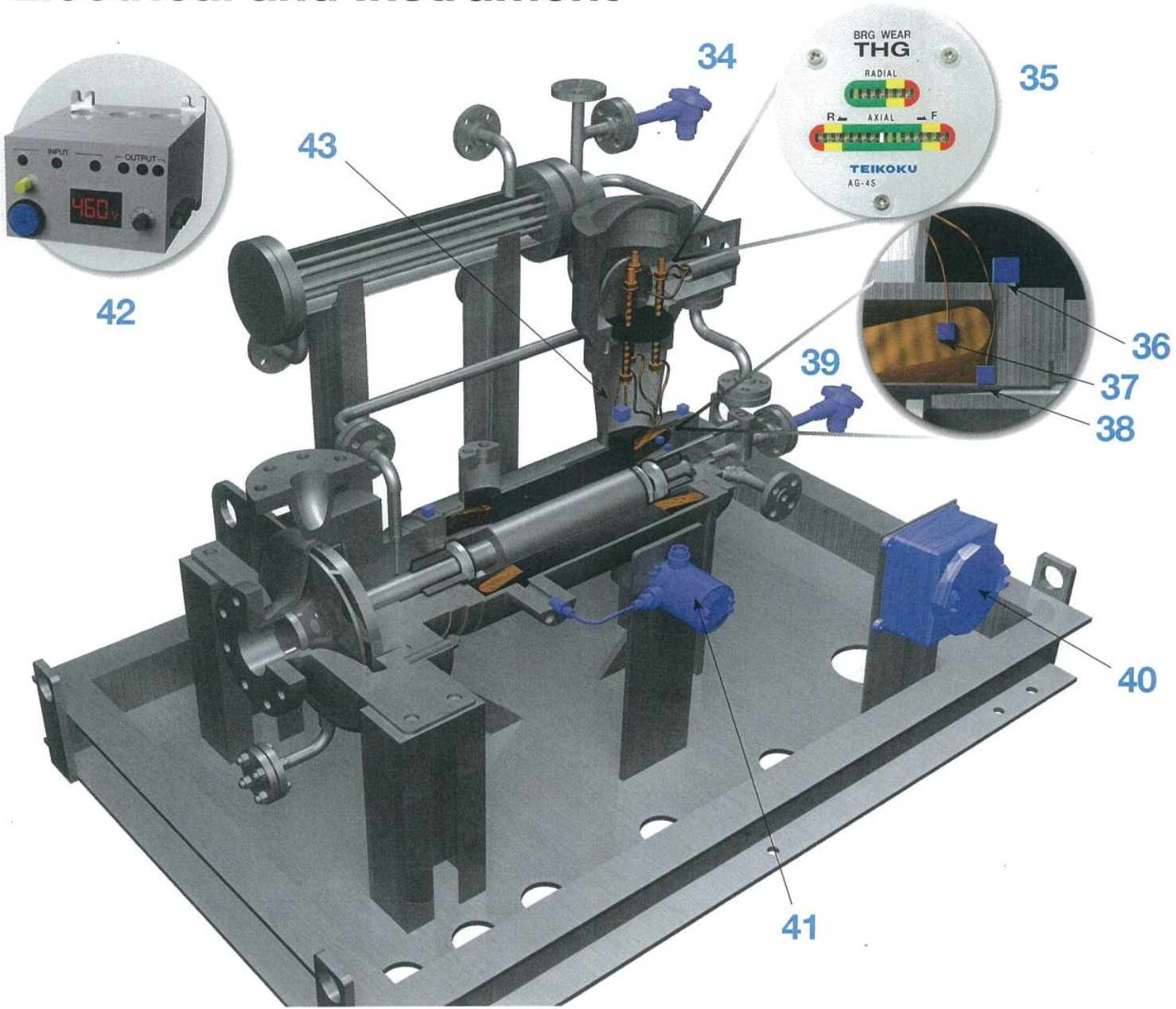
| | | |
|-----------|---|---------|
| 29 | Heat Exchanger Access Connection | 6.3.3 |
| 30 | Rotor Cavity Access Connection | 6.3.3 |
| 31 | Instrument Junction Box Support – First Edition | 7.2.1.4 |
| 32 | Transmitter Support Bracket | 6.3.3 |
| 33 | Secondary Containment Access Connection | 6.3.3 |

Electrical and Instrument Connection

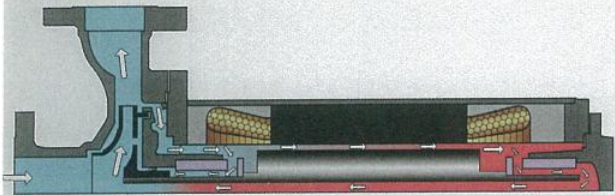


| | | |
|-----------|--|-------------|
| 34 | Heat Exchanger Level Sensor | Annex E.LE1 |
| 35 | Radial and Axial Rotor Position Monitor (THG™) | 7.4.1.3 |
| 36 | Vibration Pads | Annex E.VE |
| 37 | Stator Winding RTD | Annex E.TE1 |
| 38 | Stator Liner Temperature Sensor | 7.4.2.1 |
| 39 | Rotor Cavity Temperature Probe | Annex E.TE2 |
| 40 | Instrument Junction Box – First Edition | 7.2.1.4 |
| 41 | Secondary Containment Pressure Transmitter | 7.4.2.3 |
| 42 | Power Monitor | 7.4.2.1 |
| 43 | Secondary Containment Pressure Sensor (TPS) | 7.4.2.3 |

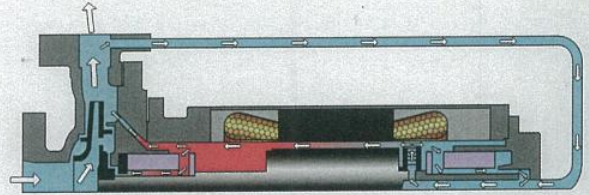
Electrical and Instrument



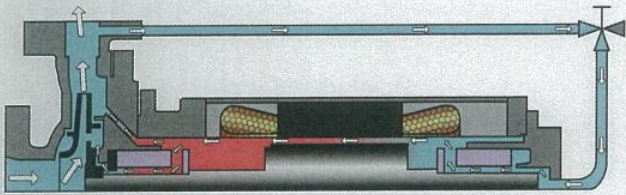
Annex D Clean Circulating Fluid Plans



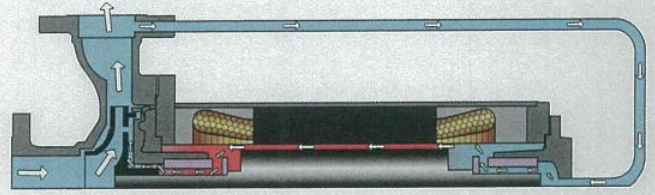
Plan 1-S Internal Circulation



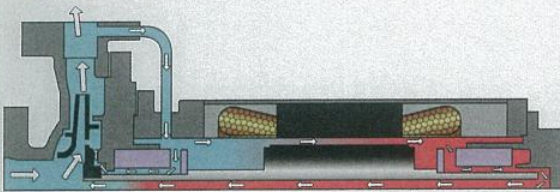
Plan 1-SD Pressurized Circulation



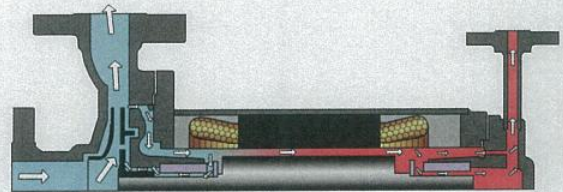
Plan 2-S External Circulation for Start-Up Flush



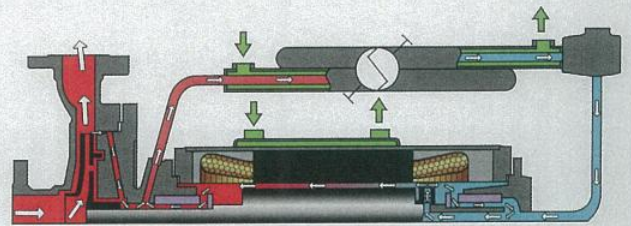
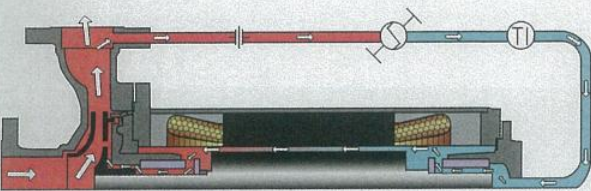
Plan 11-S Outboard Return External Circulation



Plan 13-S Inboard Return External Circulation



Plan 13-SE Reverse Circulation



Specifying and installing an API 685 pump is not just a matter of compliance. It's about working together to meet plant requirements for safety and risk management to assure project success.

With Teikoku sealless canned motor pump solutions, you can decide the exact level of API 685 compliance needed to configure a pump to individual user/plant specifications. You choose the options based on project cost, fluid, QA and safety parameters. Only Teikoku's unique menu-driven manufacturing approach gives you this flexibility. What else would you expect from the global leader in canned motor pump technology?

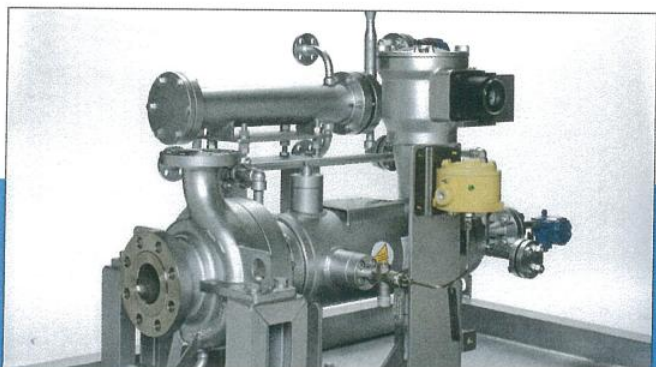
When it comes to configuring and operating an API 685 pump, we realize there is no such thing as "one size fits all." With the numerous fluid circulation plans, containment systems, support and instrumentation options available under API 685, you need assurance for supply of required features. However, you shouldn't have to pay for more pump than your application requires. That's why the experts at Teikoku developed the only menu-based system for ordering, configuring and documenting API 685 pumps that considers individual user requirements in all designs.

This brochure highlights a high-temperature application. Start with our standard Plan 23-S pump and build on further API 685 compliance. Add accessories and upgrades to

achieve the precise levels of plant compliance, safety and emission control needed to meet end-user or engineering firm standards. All Teikoku pumps are engineered for peak performance – with pumps and hermetically sealed motors designed to work in concert for maximum efficiency and long-term operating reliability. And it's all backed by the design, manufacturing, field support and start-up resources of the global Teikoku Group.

Teikoku API 685 Benefits:

- Secondary containment is standard issue
- Instrumentation to meet user-/client-established standards and local compliance for safety and reliability monitoring
- Rotating assembly position monitors for real-time bearing wear indication and preventative maintenance scheduling
- Third-party labeled explosion-proof designs to global standards
- Operator and maintenance personnel training and start-up assistance offered at no cost to users



*API 685 Plan 23-S Sealless Canned Motor Pump
designed and manufactured to exact user requirements
for API 685 compliance, instrument selection, enclosure*

Teikoku Group Global Network

Teikoku Electric Mfg. Co., Ltd. (Japan)

Plant & Business Headquarters

Postcode 679-4395
60 Hirano, Shingu-Cho, Tatsuno-Shi, Hyogo-Ken, Japan
Phone: +81-791-75-0411
www.TeikokuDenki.co.jp

International Business Headquarters

Postcode 110-0015
6F Shitaya Bldg.
2-5, 5-chome, Higashi-Ueno, Taito-Ku, Tokyo, Japan
Phone: +81-3-3841-9311

Teikoku USA Inc (North & South America)

959 Mearns Road
Warminster, PA 18974 USA
Phone: +1-215-343-6000
www.TeikokuPumps.com

Teikoku USA Inc (US Gulf Coast Sales and Service Center)

5880 Bingle Road
Houston, TX 77092 USA
Phone: +1-713-983-9901
www.TeikokuPumps.com

Dalian Teikoku Canned Motor Pump Co., Ltd. (China)

Sanjianpu Science & Technology Industry Area
Dalian, China
Phone: +86-411-8626-9657
www.Teikoku-China.com

Taiwan Teikoku Pump Co., Ltd.

9F-1, No. 5, Jinzhou St., Zhongshan District
Taipei City 104, Taiwan, ROC
Phone: +886-2-2567-9800

Other International Subsidiaries

Teikoku Electric GmbH (Europe)

Nürnberg Strasse 24, D-40599
Düsseldorf, Germany
Phone: +49-211-700-6778
www.TeikokuPump.de

Teikoku South Asia PTE, Ltd. (Southeast Asia)

No. 15 Joo Koon Crescent
Singapore 629015
Phone: +65-6861-4121
www.TeikokuPumps.com

Teikoku Korea Co., Ltd. (Korea)

3F Woonam Bldg., 35, Gangnam-daero, 112 Gil
Gangnam-gu, Seoul, 135-827, Korea
Phone: +82-2-790-7012
www.TeikokuKorea.co.kr

Teikoku Electric Mfg. Co., Ltd. (Middle East – India)

Regional Office
Al Moayyed Tower, 22nd Floor, Room 2225
Bldg. 2504 Road 2832, Blk 428
Al Seef District, PO Box 18259
Manama, Kingdom of Bahrain
Phone: +973-17-568-191

Visit us online at
www.TeikokuPumps.com.



TEIKOKU